



Power Amplifier  
Amplificador de poder

# M-5000

Owner's Manual  
Manual de instrucciones

English

Español

Thank you and congratulations on your purchase of this Yamaha product.

- ◆ You can enjoy the high-quality stereo sound of this power amplifier at home.
- ◆ This Owner's Manual describes the unit's features and connection procedures.
- ◆ To use the product properly and safely, we suggest that you read this manual and Safety Brochure (separate booklet) thoroughly.  
Keep the manual in a safe, accessible place for future reference.

You can download a PDF version of this manual from the following Yamaha website.

<https://download.yamaha.com/>

---

---

## Features

---

---

- ◆ Full floating and balanced transmission from input to output
- ◆ High-rigidity lever selectors
- ◆ Stable mechanical grounding construction dramatically lessens the impact of external vibrations
- ◆ Left-right symmetrical design
- ◆ Large power supply with four separate circuits, and large capacitors of  $33000 \mu\text{F} \times 4$
- ◆ Newly-designed brass spiked feet
- ◆ Powerful 400 W/8 $\Omega$  output driven in monaural



---

---

## About this manual

---

---

- ◆ The illustrations as shown in this manual are for instructional purposes only.
- ◆ The company names and product names in this manual are the trademarks or registered trademarks of their respective companies.
- ◆  **WARNING** describes precautions to be followed to avoid the possibility of serious injury or even death.
- ◆  **CAUTION** describes precautions to be followed to avoid the possibility of injury.
- ◆ **NOTICE** describes precautions to be followed to avoid the possibility of malfunction/damage to the product, or damage to data.
- ◆ **Note** describes supplemental information about the product.
- ◆ Before starting to use the product, please be sure to read the separate "Safety Brochure".

---

---

# Table of contents

---

---

<b>Features</b> . . . . .	2
<b>About this manual</b> . . . . .	2
<b>Supplied accessories</b> . . . . .	4
<b>Maintenance</b> . . . . .	4
Mirror-finish side panels. . . . .	4
Surfaces other than the mirror-finish side panels . . . . .	4

## Part Names and Functions

<b>Front panel</b> . . . . .	6
<b>Rear panel</b> . . . . .	8
Balanced and unbalanced connections . . . . .	10

## Connections

<b>Connecting a preamplifier</b> . . . . .	12
<b>Trigger connections</b> . . . . .	13
<b>Basic speaker connections</b> . . . . .	14
<b>Connecting speaker cables</b> . . . . .	16
Using standard speaker cables. . . . .	16
Using Y-shaped lug cables . . . . .	17
<b>Bi-wiring connections</b> . . . . .	18
<b>Bi-amp connections</b> . . . . .	20
<b>Bridge connections</b> . . . . .	22
<b>Connecting the power cord</b> . . . . .	24

## Reference Materials

<b>General specifications</b> . . . . .	26
<b>Block diagram</b> . . . . .	27
<b>Audio characteristics</b> . . . . .	28
Total harmonic distortion (8Ω). . . . .	28
Total harmonic distortion (4Ω). . . . .	28
Total harmonic distortion (monaural 8Ω) . . . . .	29
Frequency response . . . . .	29
<b>Troubleshooting</b> . . . . .	30
<b>Index</b> . . . . .	32

---

# Supplied accessories

---

Please make sure that the following accessories are included in the package.

- Power cord
- System cable
- Owner's Manual (this book)
- Safety Brochure (separate booklet)



## WARNING

Do not use the supplied power cord for other devices.

---

# Maintenance

---

To use this product for an extended period of time, we recommend that you maintain it regularly.



## WARNING

- Check the power cord regularly to see if it is dusty. If so, wipe off the dust completely. Otherwise, fire or electric shock might be caused.
- Do not use aerosol or flammable gas spray for cleaning or lubrication. Otherwise, flammable gas will build up inside the unit, causing possible explosion or fire.

## NOTICE

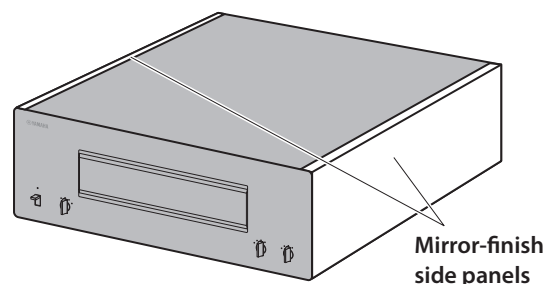
- Use a dry soft cloth to clean the unit. Using cleaning agents, such as benzene or thinner, detergent, or chemically-treated cloth might cause color changes or deterioration of the surface. If the surface gets very dirty, damp a cloth with detergent (diluted with water), wring the cloth tightly, and wipe off the dirt.
- If you wipe the surface area in the vicinity of the Yamaha logo with force, the logo might peel off or fiber from the cloth might stick to the surface.

## Mirror-finish side panels

We recommend that you use a cleaning cloth such as those made for pianos. If the surface is very dirty, use a soft cloth that is damp with water and wrung tightly.

## Surfaces other than the mirror-finish side panels

Wipe other surfaces using a soft dry cloth. If the surface gets very dirty, dampen a cloth with detergent diluted in water, wring the cloth tightly, and then wipe the dirt from the surface.



---

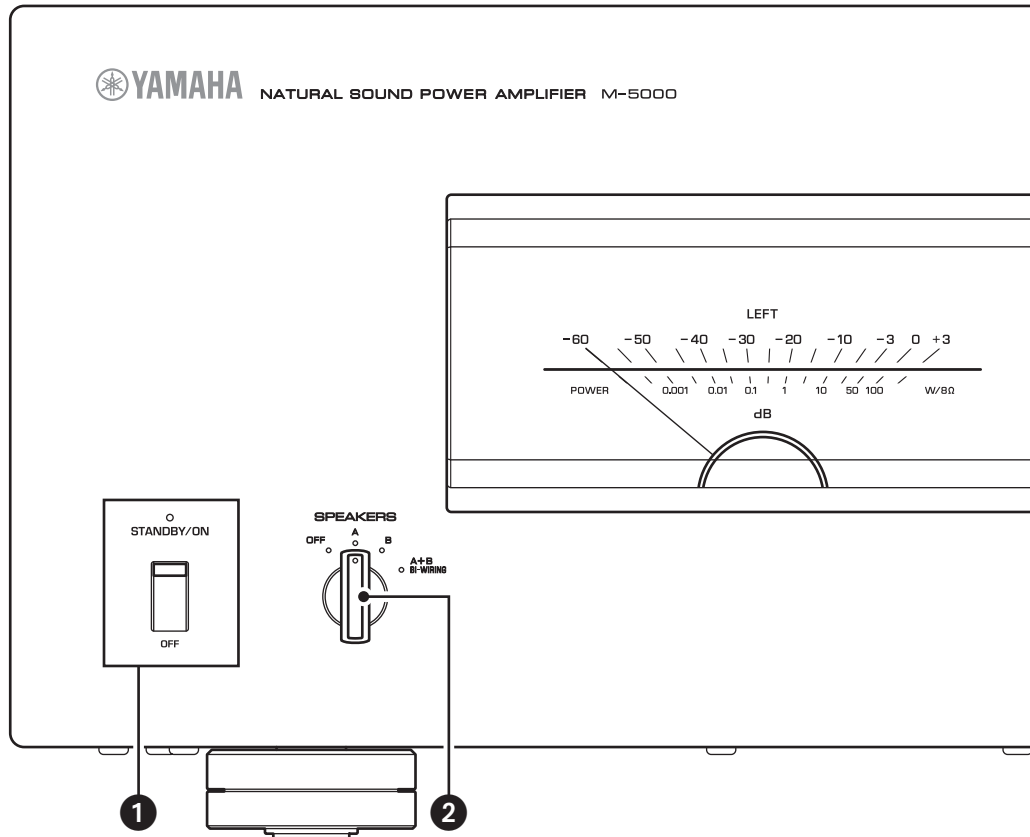
# Part Names and Functions

---

This section describes the names and functions of the parts on the front and rear panel.

**M-5000**

# Front panel



## 1 STANDBY/ON/OFF (Power) switch/indicator

Turns the power to the unit on or off.

**STANDBY/ON:** Turns the power to the unit on.

**OFF:** Turns the power to the unit off.

Power status	Indicator
On mode	Lit brightly
Standby mode	Lit dimly
Off mode	Off

The unit will enter standby mode in one of the following events:

- If the unit is powered on but not operated for eight hours while the auto power standby function is turned on, or
- If you turn off the power to the device that is connected to this unit's TRIGGER IN jack.

For more information, refer to “7 AUTO POWER STANDBY switch” in the “Rear panel” section (page 9) and to “Trigger connections” (page 13).

## Note

After you turn on the unit, it will take a few seconds before the unit can reproduce sound.

## NOTICE

If you plan not to use the unit for an extended period of time, be sure to unplug the power cord from the AC outlet. Even when the STANDBY/ON/OFF (Power) switch is turned off (the power indicator is dark), a minimal amount of electric current is still flowing to the unit.

## 2 SPEAKERS selector

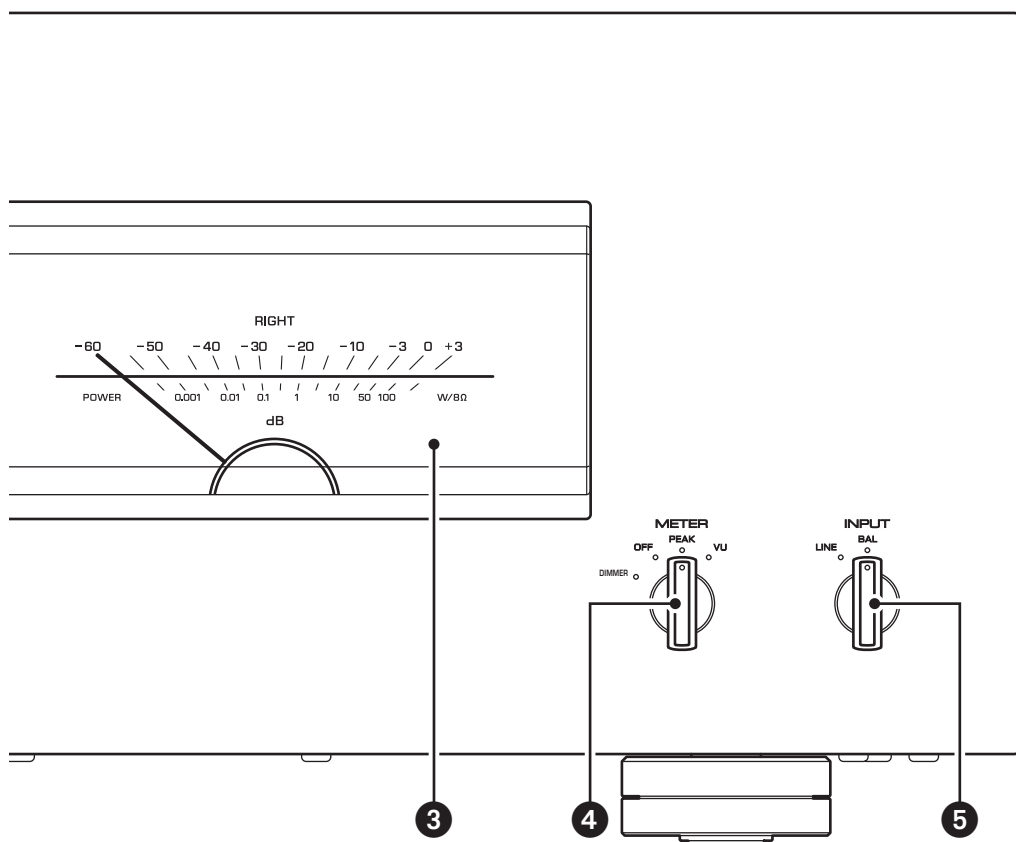
Turns on or off two sets of speakers connected to the SPEAKERS A and B terminals on the rear panel.

**OFF:** Both sets of speakers are off.

**A:** The set of speakers connected to the A terminal is on.

**B:** The set of speakers connected to the B terminal is on.

**A+B/BI-WIRING:** Both sets of speakers are on.



## NOTICE

Make sure that the impedance of each speaker is appropriate for the system configuration. For more information, refer to "Basic speaker connections" (page 14), "Bi-wiring connections" (page 18), "Bi-amp connections" (page 20), and "Bridge connections" (page 22).

### 3 Meter display (LEFT/RIGHT)

Indicates the audio output level of the left and right channels.

### 4 METER selector

Switches the meter display type to OFF, PEAK, or VU.

**DIMMER:** Adjusts the brightness of the meter display. The brightness will change slowly between the brightest and darkest (off). When you select the meter type by turning the METER selector, the brightness at that point will be used for the display.

**OFF:** Turns off meter operation and display illumination.

**PEAK:** Switches the meter display type to a peak level meter. The peak level meter shows the highest instantaneous level of an audio output signal.

**VU:** Switches the meter display type to a VU (Volume Unit) level meter. The VU level meter shows an effective audio output value that represents the way sound is perceived by human ears.

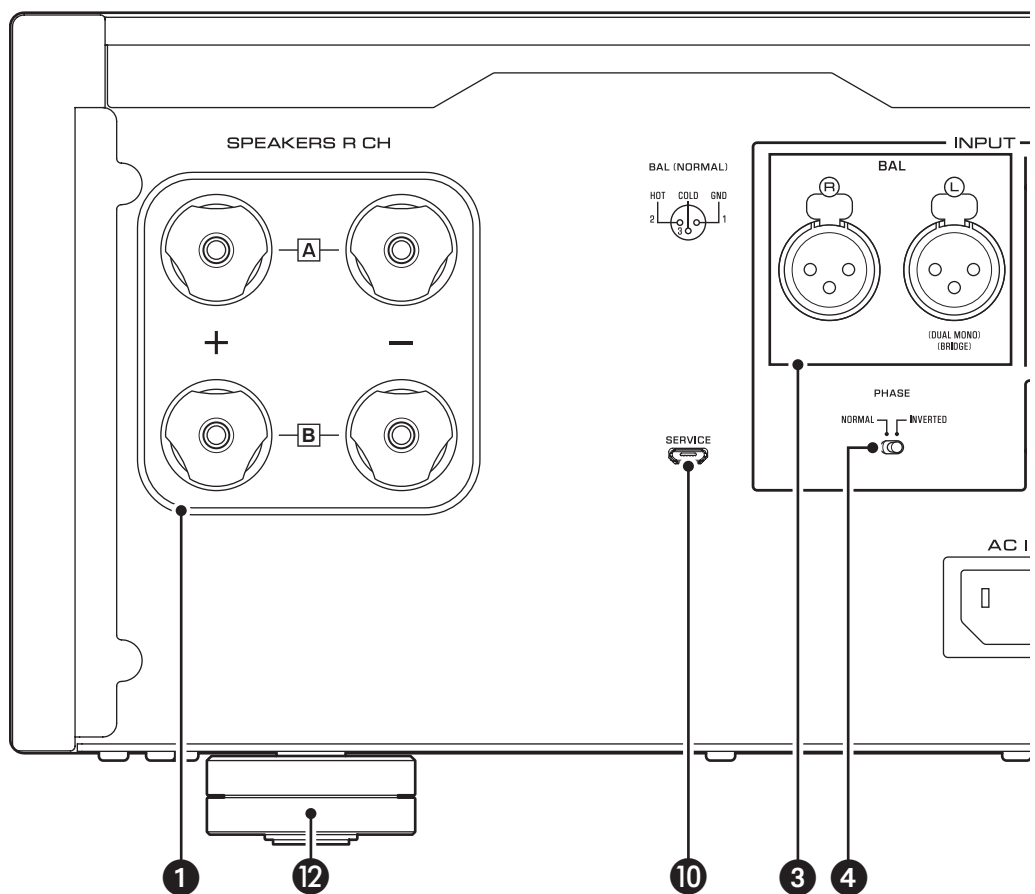
### 5 INPUT selector

Enables you to select jacks to play back an audio source.

**LINE:** Audio source input from the LINE jacks will be played back.

**BAL:** Audio source input from the BAL jacks will be played back.

# Rear panel



## Note

For information regarding the connection procedure, refer to “Connections” (page 11).

### 1 SPEAKERS R CH output terminals

### 2 SPEAKERS L CH output terminals

Use the included speaker cables to connect speakers to the terminals. For information regarding the connection procedure, refer to “Connections” (page 11).

### 3 BAL input jacks

These are XLR-type balanced input jacks. Connect your preamplifier here. Set the PHASE selector appropriately for the connected preamplifier.

### 4 PHASE selector

Sets the position (polarity) of the HOT pin at the BAL input jacks according to the connected preamplifier. For more information, refer to “Balanced and unbalanced connections” (page 10).

**NORMAL:** Pin #2 is specified as HOT.

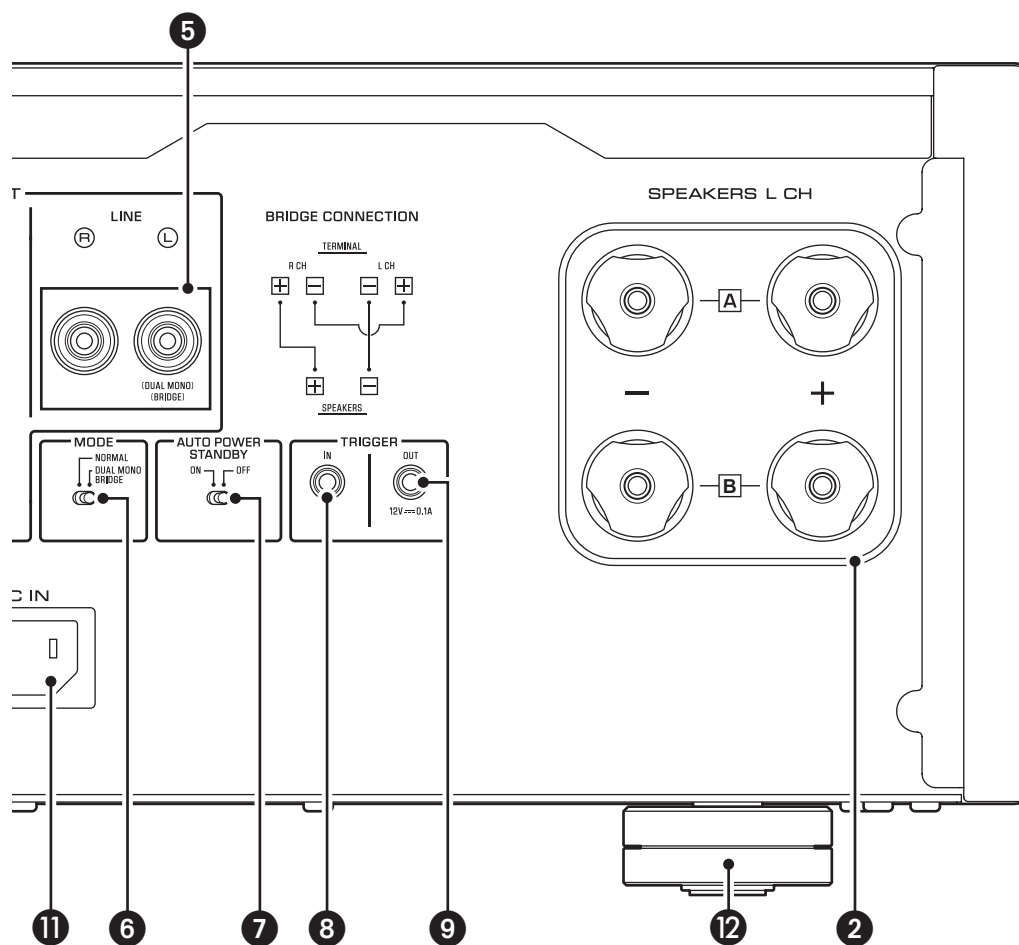
**INVERTED:** Pin #3 is specified as HOT.

Refer to the instruction manual for the connected component to find out the position of the HOT pin at the balanced output jacks on the component.

### 5 LINE input jacks

These are RCA-type unbalanced input jacks. Connect your preamplifier here.





## 6 MODE selector

Switches the speaker output between stereo and monaural. For more information, refer to “Basic speaker connections” (page 14), “Bi-wiring connections” (page 18), “Bi-amp connections” (page 20), and “Bridge connections” (page 22).

**NORMAL:** The unit is used as a stereo amplifier. This is the standard setting.

**DUAL MONO/BRIDGE:** The unit is used as a monaural amplifier. Select this setting for bi-amp or bridge connections.

## 7 AUTO POWER STANDBY switch

**ON:** The unit enters standby mode automatically if it is powered on but not operated for eight hours. This function is disabled if the system cable is connected to the TRIGGER IN jack.

**OFF:** The unit does not enter standby mode automatically.

## 8 TRIGGER IN jack

## 9 TRIGGER OUT jack

Used to connect a component that supports the trigger function so that you can control the unit’s power on and off from that component. For more information, refer to “Trigger connections” (page 13).

## 10 SERVICE jack

This jack is used to test the product.

## 11 AC IN jack

Connect the supplied power cord here. For more information, refer to “Connecting the power cord” (page 24).

## 12 Feet

If the unit is unstable, adjust the height of the feet as needed by rotating them.

## Balanced and unbalanced connections

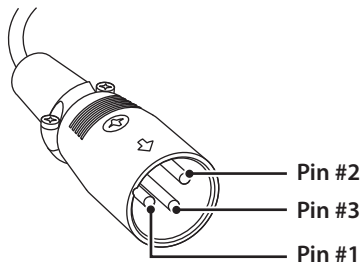
This unit features balanced input jacks (BAL) and unbalanced input jacks (LINE).

### NOTICE

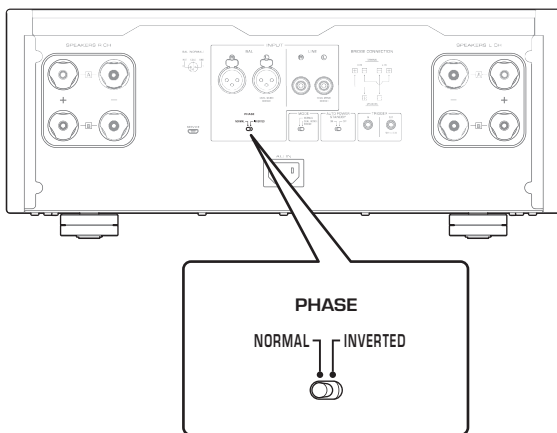
Do not use balanced and unbalanced connections between two components simultaneously. Doing so would create a ground loop that could generate static and noise.

### Balanced connection

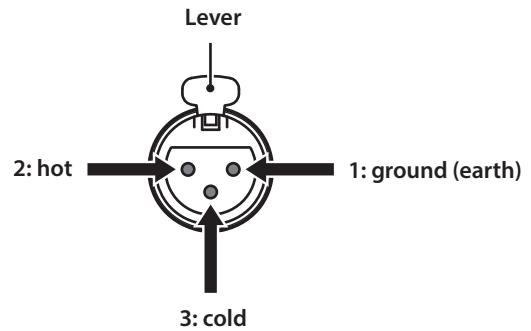
A balanced connection is a great advantage against external noise. For a balanced connection, use a cable with male XLR connectors. When connecting a cable, be sure to align the pins on the connector with the holes on the jack, and then insert the connector into the jack until you hear a click. To remove the cable, while pressing and holding down the lever on the BAL jack, pull out the male XLR connector from the jack.



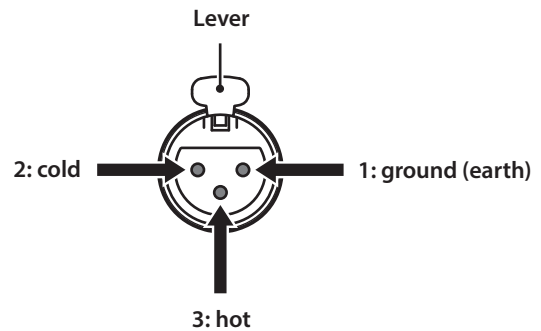
When making a balanced connection, you must set the polarity correctly. To set the polarity, use the PHASE selector on the rear panel.



If the PHASE selector is set to NORMAL, pin #2 becomes HOT.



If the PHASE selector is set to INVERTED, pin #3 becomes HOT.

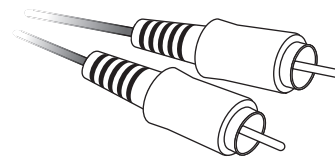


### Note

Select NORMAL (pin #2 is HOT) for a Yamaha player or preamplifier.

### Unbalanced connection

For an unbalanced connection, use RCA-type pin cables. They do not transmit phase information.



---

# Connections

---

This section explains how to connect the unit to a preamplifier and speakers.

**CAUTION**

Turn off the power to all components before making any connections.

**NOTICE**

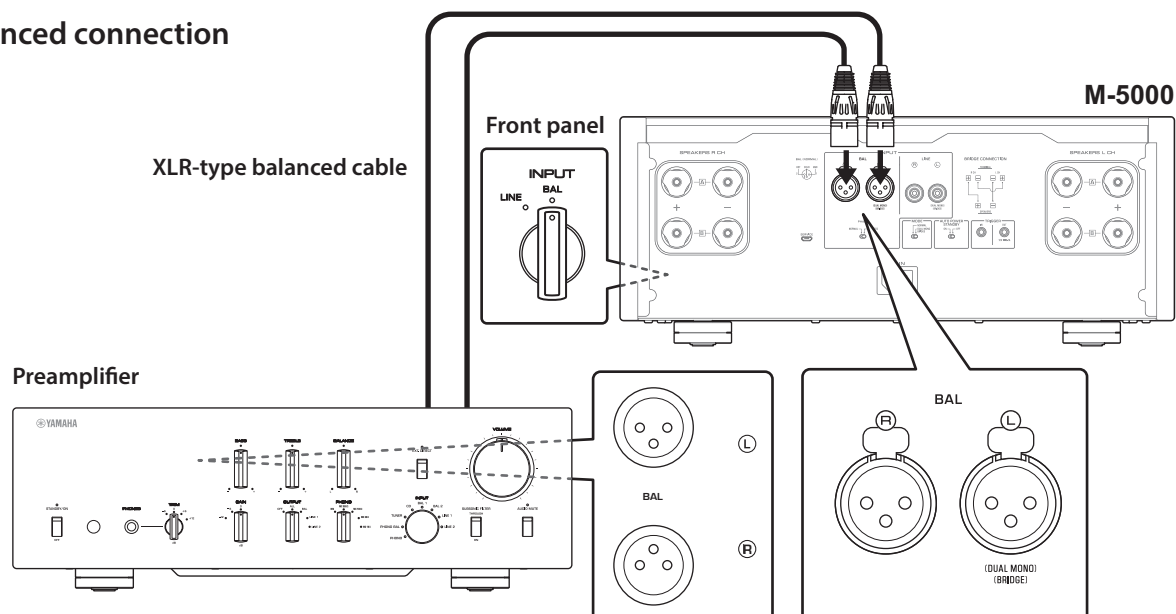
Before you connect external components, read and follow the instruction manuals for those components. Otherwise, this unit or external components might malfunction.

# M-5000

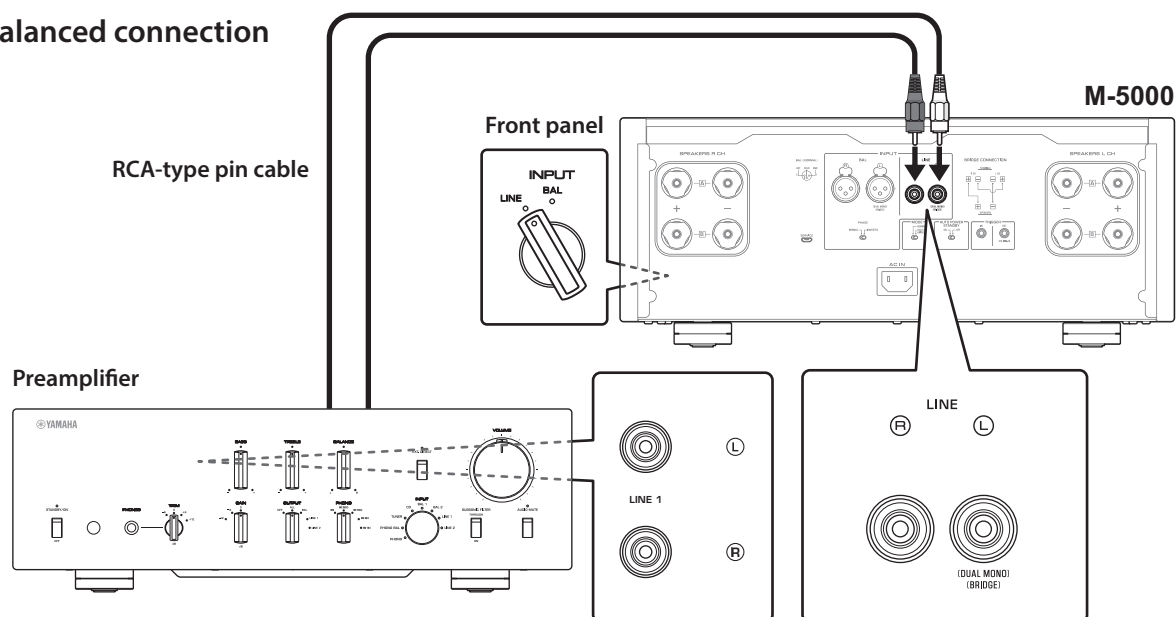
# Connecting a preamplifier

Connect your preamplifier to the unit's input jacks. For this connection, use XLR-type balanced cables or RCA-type unbalanced cables.

## Balanced connection



## Unbalanced connection



### NOTICE

The unit's volume level is fixed. Do not connect a component that does not feature volume adjustment to the unit's input jacks. Otherwise, a loud sound might be emitted, resulting in malfunction of the unit or damage to the speakers.

### Note

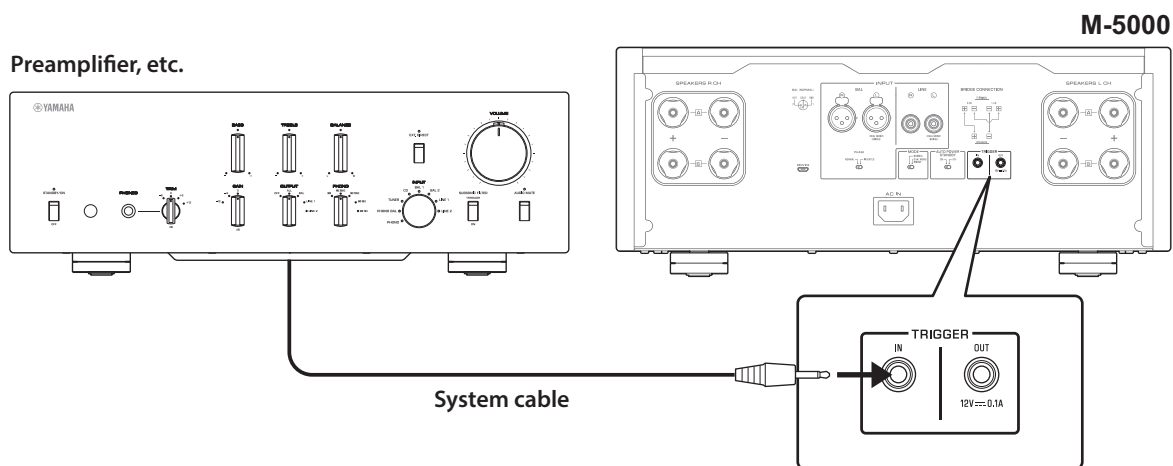
- If the preamplifier supports both balanced and unbalanced connections, use a balanced connection.
- Do not use balanced and unbalanced connections between two components simultaneously. Doing so would create a ground loop that could generate static and noise.

# Trigger connections

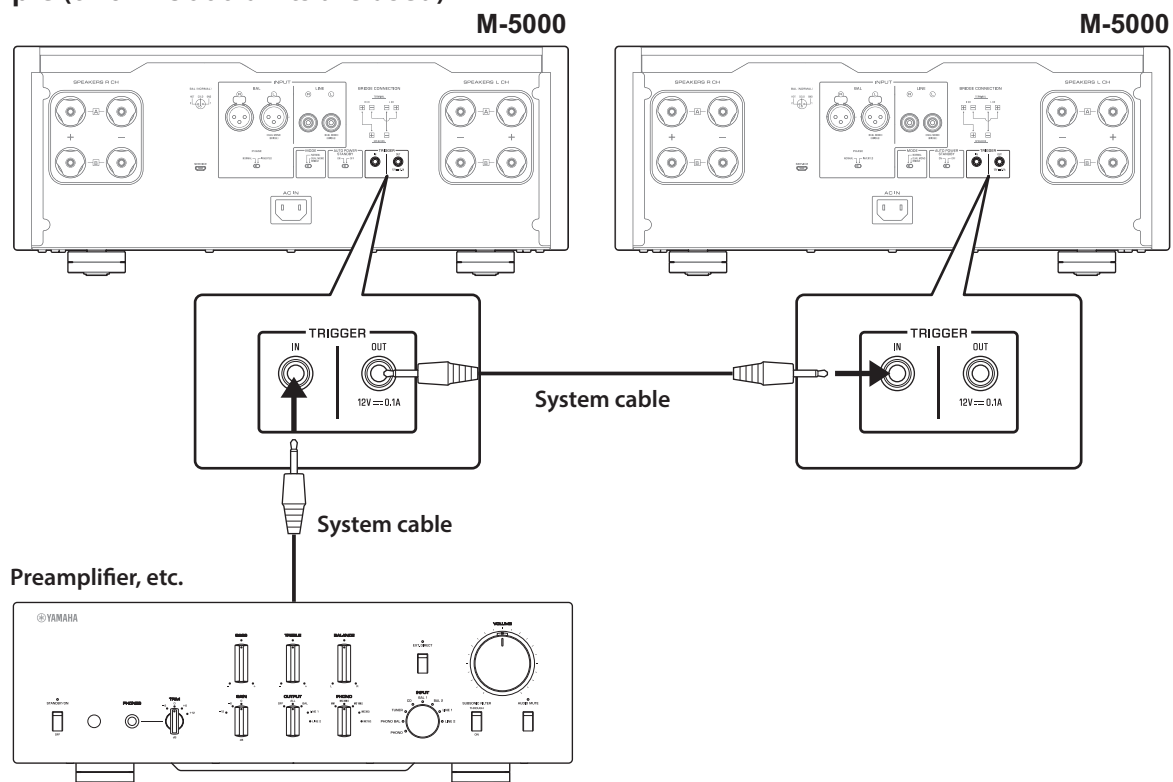
You can control the unit's power on and off in sync with a connected Yamaha component, such as a preamplifier or AV receiver.

Use the supplied system cable to make connections as shown in the following diagram.

## Example (one M-5000 unit is used)



## Example (two M-5000 units are used)



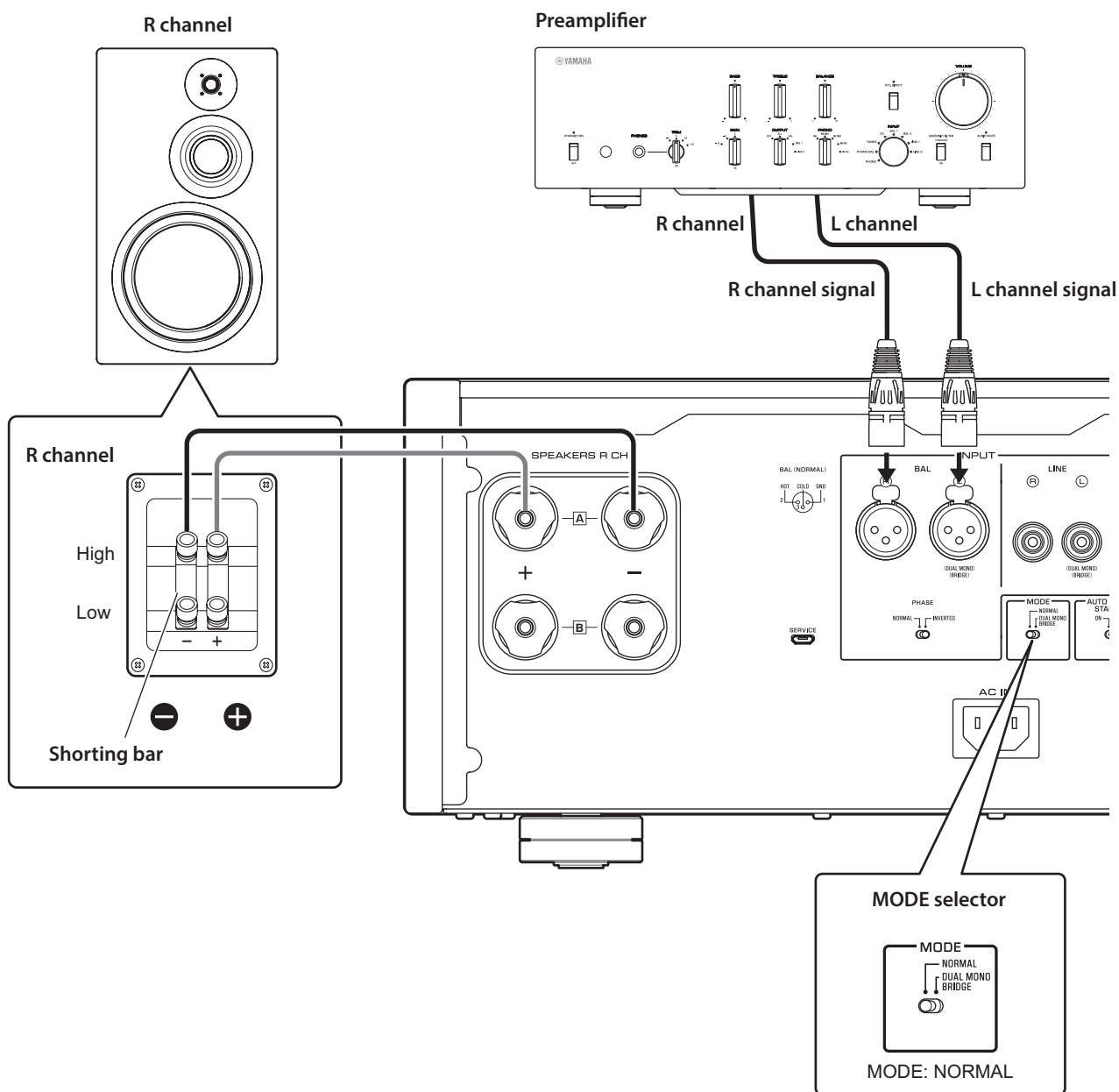
To control the unit in a trigger connection configuration, set the STANDBY/ON/OFF (Power) switch to STANDBY/ON.

When the power to the connected component is turned on, the power to this unit is also turned on. When the power to the connected component is turned off, this unit enters standby mode.

### Note

When the power switch on this unit is turned OFF, the power to the unit will not be triggered.

# Basic speaker connections



- 1** Turn off the power to the unit and all connected components.
- 2** Set the MODE selector on the rear panel to NORMAL.
- 3** Set the SPEAKERS selector on the front panel to A, B, or A+B BI-WIRING.  
The diagram shows the selector set to A.
- 4** Connect the power amplifier to the "+" and "-" terminals of the speakers.



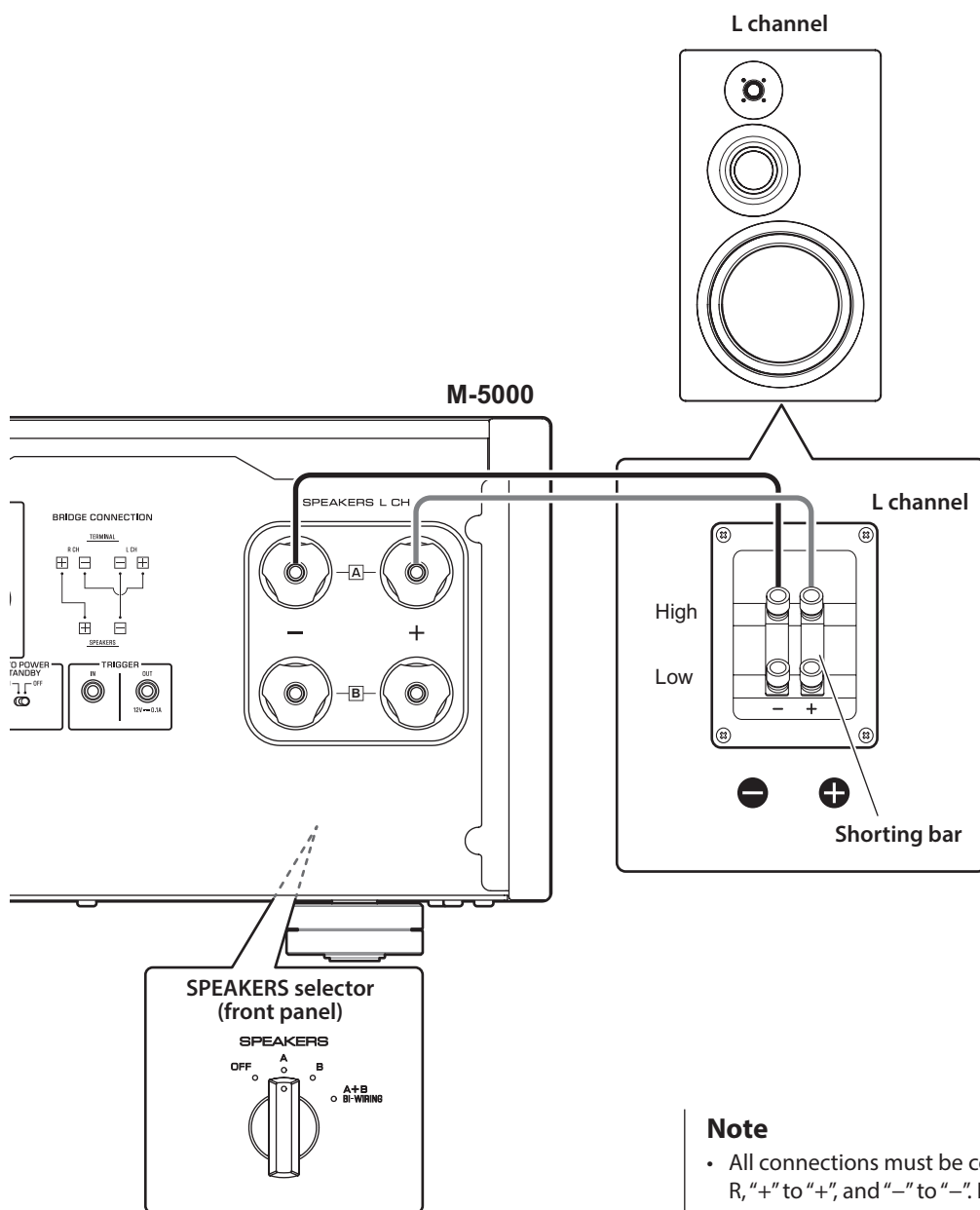
## CAUTION

Be sure to use speakers that feature the impedance shown in the table below.

### Speaker impedance

SPEAKERS selector	A	B	A+B
Basic connection/ Bi-wiring connection	4Ω or higher		8Ω or higher
Bi-amp connection	4Ω or higher		8Ω or higher
Bridge connection	8Ω or higher		16Ω or higher*

\* Excluding models for U.S.A. and Canada



## CAUTION

Before turning the power back on to the source component, first lower the volume level on that component.

## NOTICE

- Do not let the bare speaker wires touch each other, nor let them touch any metal part of this unit. Otherwise, the unit and/or the speakers might be damaged.
- Do not connect an active subwoofer to this unit. Connect the subwoofer to the preamplifier.

## Note

- All connections must be correct: L (left) to L, R (right) to R, "+" to "+", and "-" to "-". If the connections are faulty, no sound will be heard from the speakers. Also, if the polarity of the speaker connections is incorrect, the sound will be unnatural and lack bass.
- Because this power amplifier is of the floating balanced type, the following types of connections are not possible.
  - Connecting between two "+" (or two "-") terminals of the left and right channels (Fig. 1).
  - Connecting each "-" terminal of the unit's left and right channels to the opposite channel speakers (cross connection, Fig. 2).
  - Connecting the left/right channel "-" terminals (or accidentally allowing them to come in contact) with the metal part of the rear panel of this unit.

Figure 1

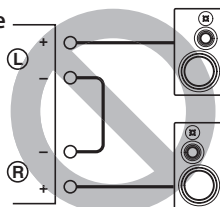
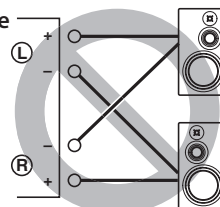


Figure 2



---

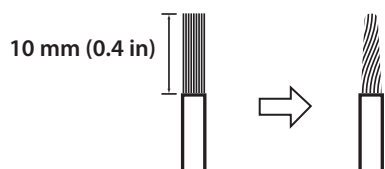
# Connecting speaker cables

---

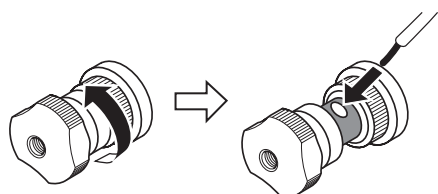
## Using standard speaker cables

---

- 1** Remove approximately 10 mm (0.4 in) of insulation from the end of each speaker cable, and twist the exposed wires together tightly to prevent short circuits.



- 2** Unscrew the knob on each SPEAKERS terminal, and then insert the bare wire into the side hole on the terminal.



Diameter of the speaker cable wire hole: 6.0 mm (0.24 in)

- 3** Tighten the knob.



### CAUTION

- Do not loosen the knob excessively. Otherwise, the knob might come off and a child might swallow it accidentally.
- To reduce the risk of electric shock, do not touch the SPEAKERS terminals while the power to the unit is on.

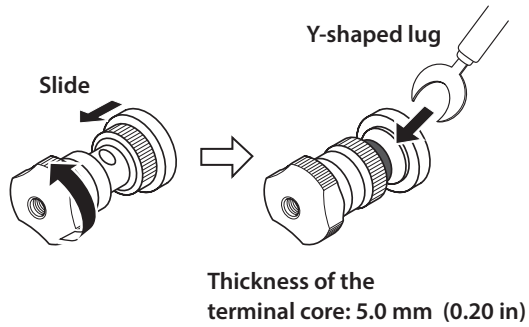
### NOTICE

If the SPEAKERS terminals come into contact with a metallic rack, a short circuit might occur, resulting in damage to this unit. When installing the unit in a rack, maintain a sufficient clearance to prevent the SPEAKERS terminals from coming into contact with the rack.

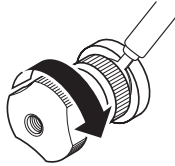


## Using Y-shaped lug cables

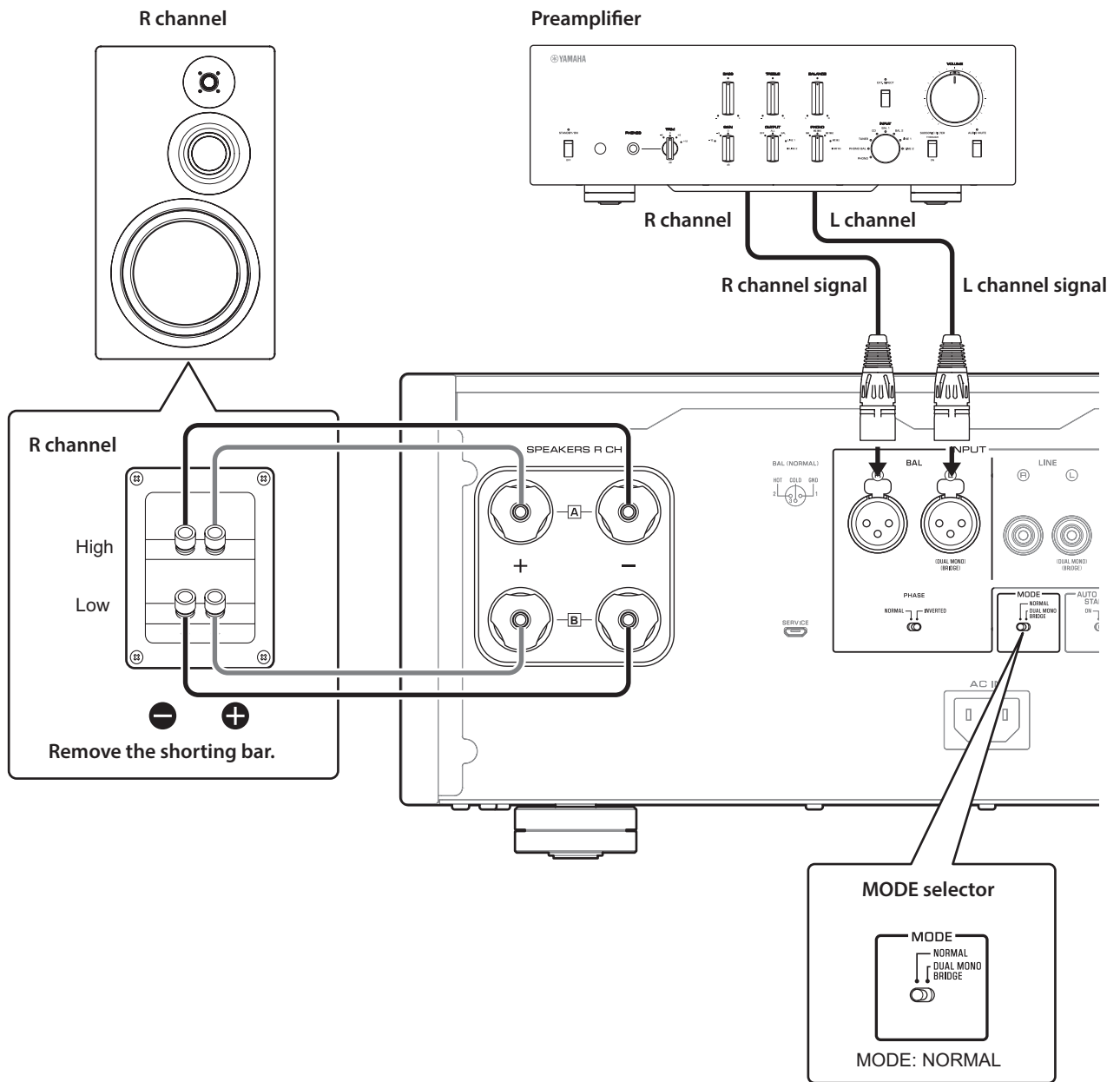
- 1 Unscrew the knob, and then sandwich the Y-shaped lug between the ring part and base of the terminal.



- 2 Tighten the knob.



# Bi-wiring connections



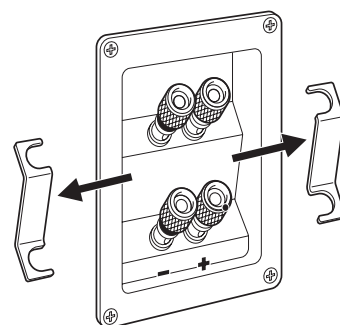
To bi-wire your speakers, separate cables are used to connect the mid/high-frequency speaker driver (tweeter) and the low-frequency driver (woofer) on each bi-wireable speaker to the amplifier. Running separate cables from the amplifier can have a profound impact on relieving the tweeter circuit from the back flush of EMF (electromotive force) generated by the woofer's voice coil, resulting in less interference between HF and LF ranges and better sound quality.

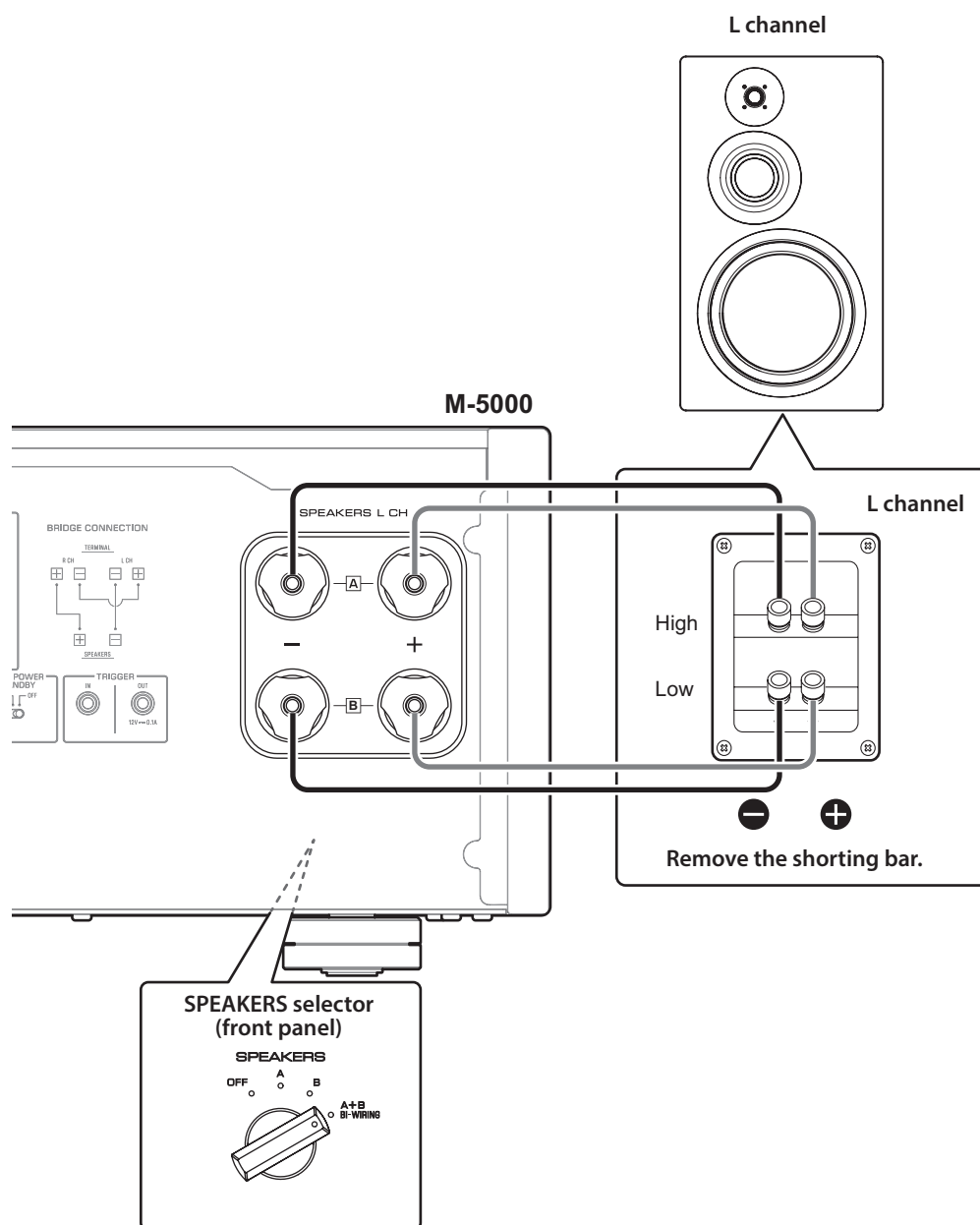
You need to use speakers that feature two sets of terminals (total of four) that allow each speaker to be split into two sections (low-frequency and mid/high-frequency ranges).

- 1** Turn off the power to the unit and all connected components.

- 2** Remove the shorting bars or bridges on the speakers.

The LPF (low pass filter) and HPF (high pass filter) crossovers will be separated.





### 3 Connect the power amplifier to the speakers.

For each channel speaker, connect the cables from the speaker's mid/high range terminals to the amplifier's SPEAKERS A jacks of the corresponding channel, and from the speaker's low range terminals to the amplifier's SPEAKERS B jacks of the corresponding channel respectively.

### 4 Set the MODE selector on the rear panel to NORMAL.

### 5 Set the SPEAKERS selector on the front panel to A+B BI-WIRING.

### CAUTION

Be sure to use speakers that feature the impedance shown in the table below.

Speaker impedance

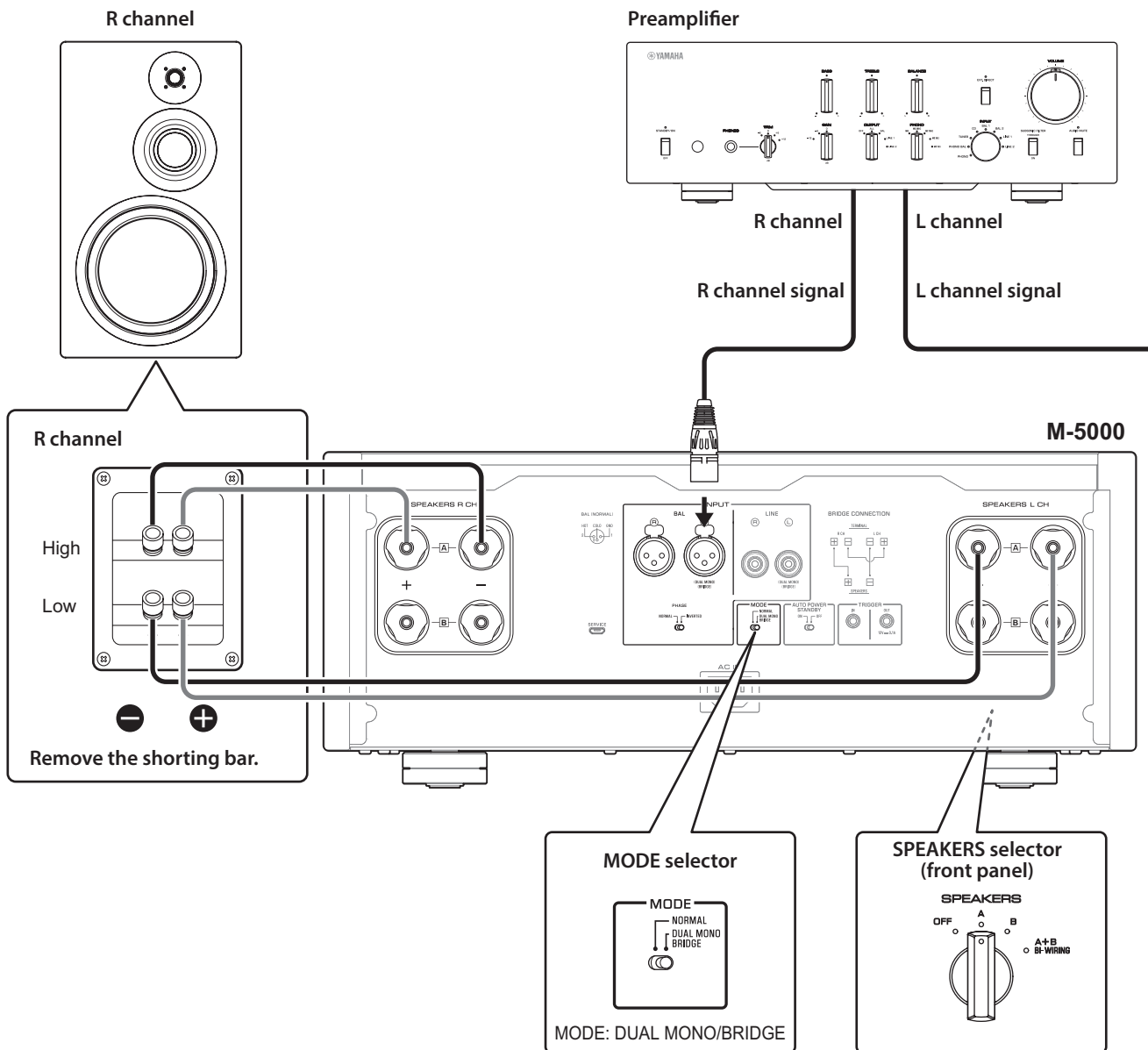
SPEAKERS selector	A	B	A+B
Basic connection/ Bi-wiring connection	4Ω or higher		8Ω or higher
Bi-amp connection	4Ω or higher		8Ω or higher
Bridge connection	8Ω or higher		16Ω or higher*

\* Excluding models for U.S.A. and Canada

### CAUTION

Before turning the power back on to the source component, first lower the volume level on that component.

# Bi-amp connections



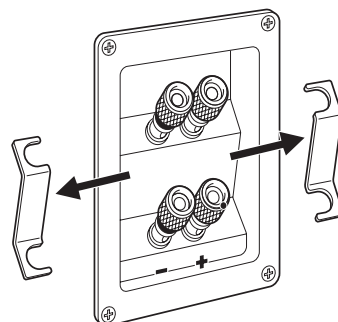
To configure a bi-amp stereo system, you need two M-5000 units.

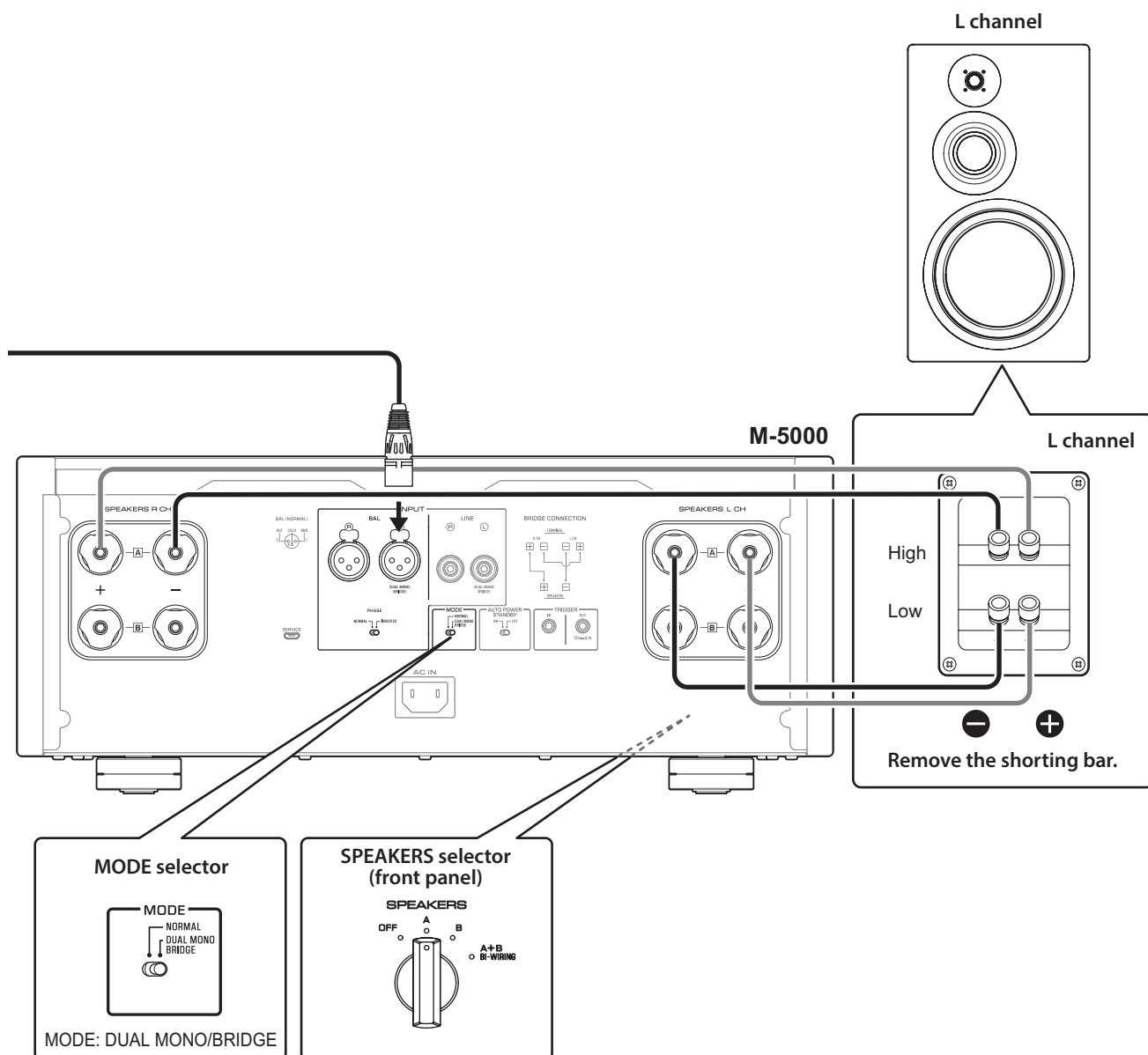
The M-5000 features two built-in amplifiers. Each of these amps is connected to the mid/high-frequency speaker driver (tweeter) and the low-frequency driver (woofer) on the speaker of the corresponding channel. You need to use speakers that feature two sets of terminals (total of four) that allow each speaker to be split into two sections (low-frequency and mid/high-frequency ranges). Bi-amping speakers can prevent the back flush of EMF (electromotive force) generated by the woofer from affecting the signal, resulting in improved sound quality in some cases.

Connect the input source to the L-channel input jacks on both M-5000 units.

- 1** Turn off the power to the unit and all connected components.
- 2** Remove the shorting bars or bridges on the speakers.

The LPF (low pass filter) and HPF (high pass filter) crossovers will be separated.





**3** Set the **MODE selector** on the rear panel to **DUAL MONO/BRIDGE**.

**4** Set the **SPEAKERS selector** on the front panel to **A, B, or A+B BI-WIRING**.

The diagram shows the selector set to **A**.

**5** Connect the power amplifier (this unit) to the speakers.

For each channel speaker, connect the cables from the speaker's mid/high range terminals to the amplifier A jacks for the **SPEAKERS R CH**, and from the speaker's low range terminals to the amplifier A jacks for the **SPEAKERS L CH**.

### **CAUTION**

Be sure to use speakers that feature the impedance shown in the table below.

Speaker impedance

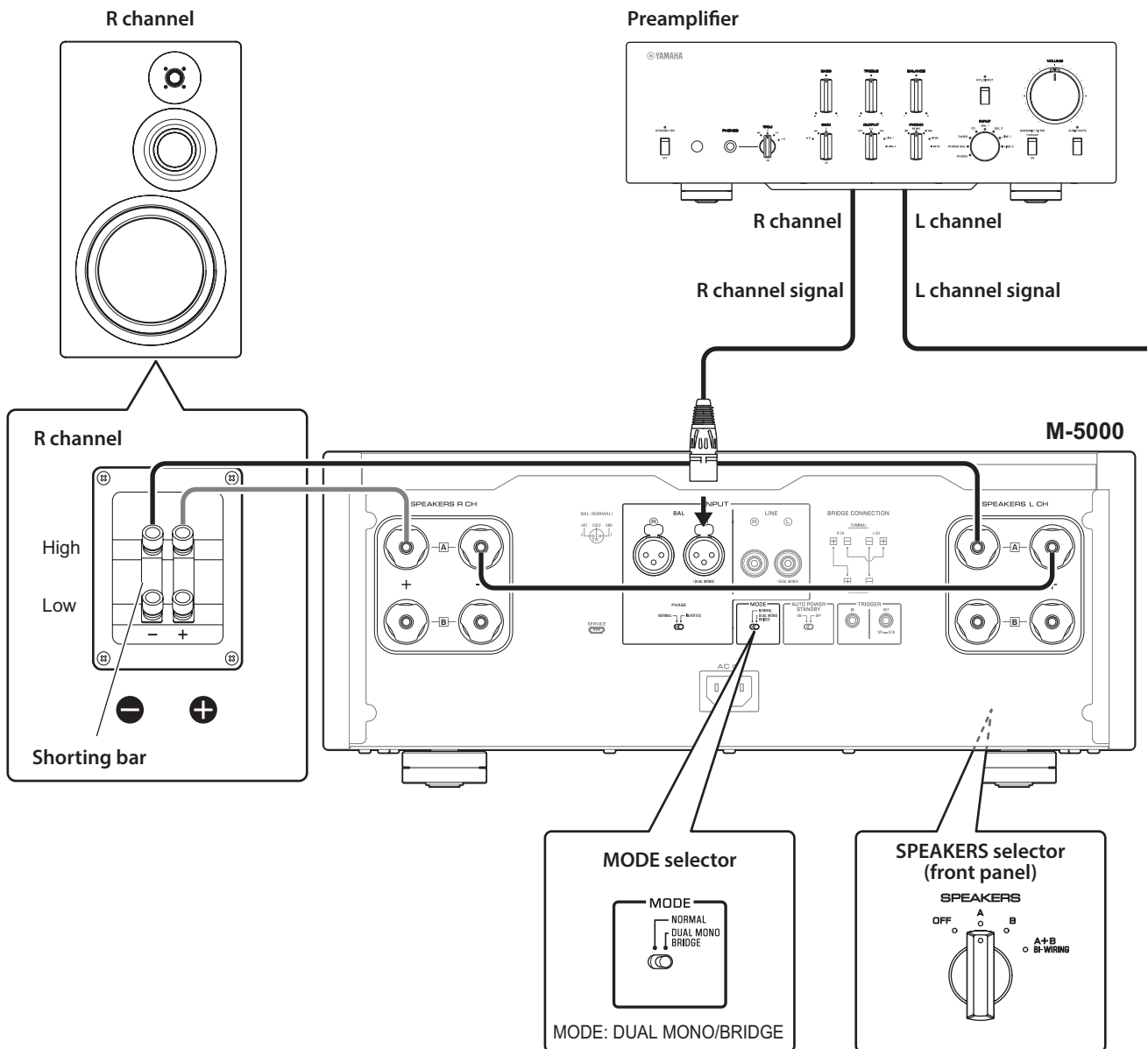
SPEAKERS selector	A	B	A+B
Basic connection/ Bi-wiring connection	4Ω or higher		8Ω or higher
Bi-amp connection	4Ω or higher		8Ω or higher
Bridge connection	8Ω or higher		16Ω or higher*

\* Excluding models for U.S.A. and Canada

### **CAUTION**

Before turning the power back on to the source component, first lower the volume level on that component.

# Bridge connections



In a bridge connection configuration, the M-5000 is used as a monaural amplifier. To create a stereo system, you need two M-5000 units.

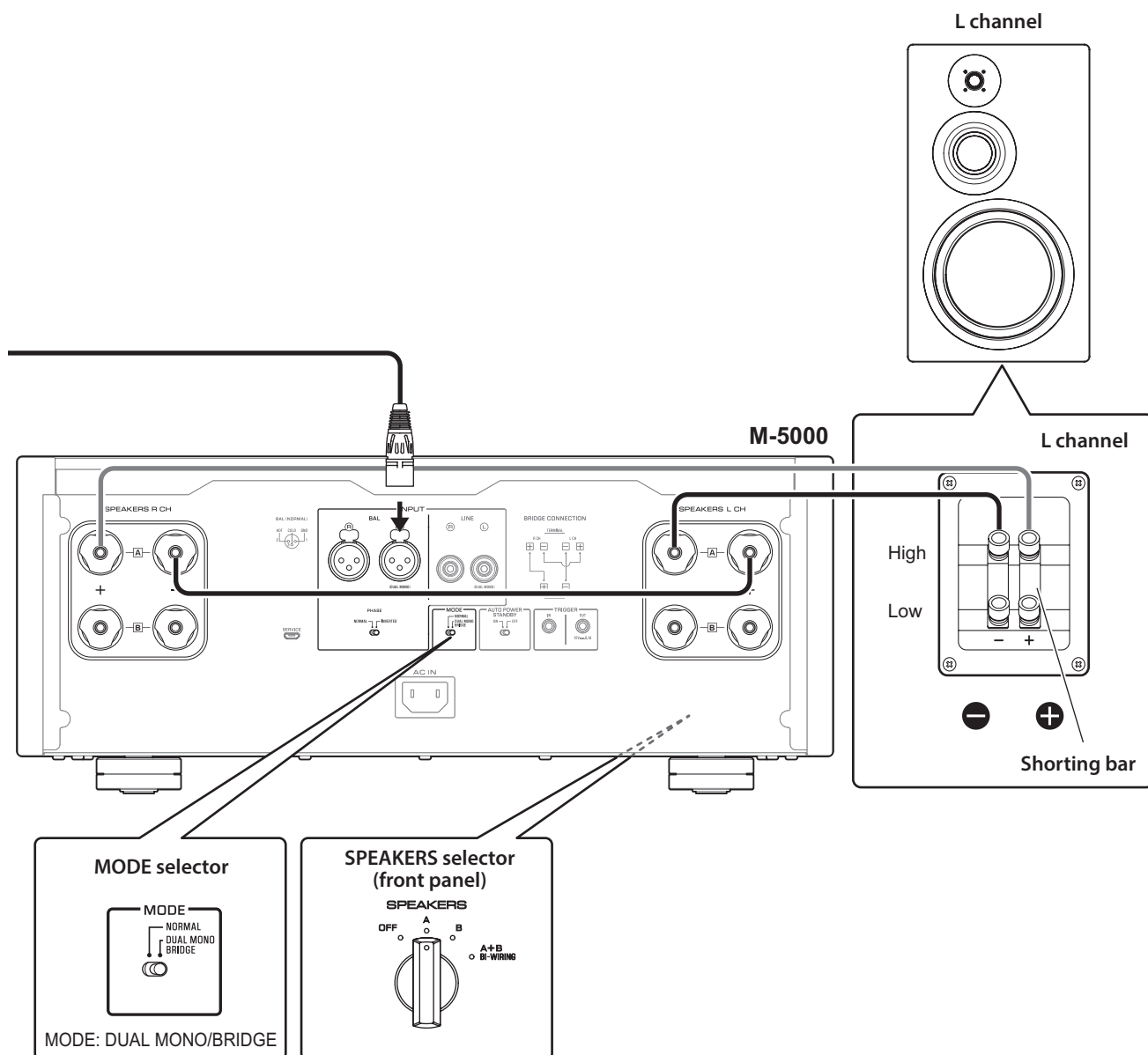
On each amplifier, connect the “+” terminal of the SPEAKERS L CH to the “-” terminal of the SPEAKERS R CH. For this connection, use a cable that features the same material as the speaker cables, and a length of 1.0 m or less and a cross-sectional area of 1.0 mm<sup>2</sup> or larger. Do not bundle the cable.

Connect the input source to the L-channel input jacks on both M-5000 units.

## NOTICE

Since amplification will be doubled in this configuration, adjust the volume level appropriately on the connected preamplifier. If you are using a Yamaha preamplifier that features a GAIN selector, adjust the volume level using this selector so that you will be able to use volume controls on other components in the usual way.

- 1** Turn off the power to the unit and all connected components.
- 2** Set the MODE selector on the rear panel to DUAL MONO/BRIDGE.



- 3** Set the **SPEAKERS** selector on the front panel to **A**, **B**, or **A+B BI-WIRING**.  
The diagram shows the selector set to **A**.
- 4** On each amplifier, connect the “+” terminal of the **SPEAKERS L CH** to the “-” terminal of the **SPEAKERS R CH**.
- 5** Connect the “+” terminal of the **SPEAKERS R CH** to the speaker’s “+” terminal, and the “-” terminal of the **SPEAKERS L CH** to the speaker’s “-” terminal.

**CAUTION**

Be sure to use speakers that feature the impedance shown in the table below.

Speaker impedance

SPEAKERS selector	A	B	A+B
Basic connection/ Bi-wiring connection	4Ω or higher		8Ω or higher
Bi-amp connection	4Ω or higher		8Ω or higher
Bridge connection	8Ω or higher		16Ω or higher*

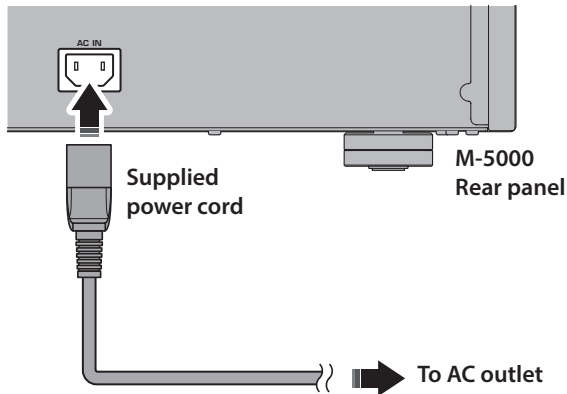
\* Excluding models for U.S.A. and Canada

**CAUTION**

Before turning the power back on to the source component, first lower the volume level on that component.

# Connecting the power cord

After all connections are complete, make sure that the STANDBY/ON/OFF (Power) switch is turned off, then plug the power cord into the AC IN connector of the unit, and then plug the power cord into the AC outlet.



## WARNING

- If you notice any of the following abnormal conditions, turn off the power to the unit immediately, and disconnect the power plug from the AC outlet.
  - The power cord or plug is damaged.
  - The unit is emitting odor, strange noise, or smoke.
  - Liquid has been spilled or objects have fallen into the unit.
  - Sound is muted all of a sudden during the operation.
  - The unit is cracked or damaged.

Otherwise, continued use of the unit might lead to electric shock, fire, or malfunction. Contact your nearest Yamaha dealer or service center for check-up or repair.

- Do not touch the power cord or plug during lightning storms. Otherwise, an electric shock might be caused.
- Be sure to use a power outlet with the power voltage labeled on the unit. If the unit is plugged into an outlet of an inappropriate voltage, fire, electric shock, or malfunction might be caused.
- Use only the supplied power cord. Do not use the supplied power cord for other devices.  
Otherwise, fire, burning, or malfunction might be caused.
- Plug the unit into an AC outlet that is clearly visible and easily reached, so that you can unplug the unit easily and quickly from the AC outlet in case of emergency. Even when the power switch is turned off, a minimal amount of electric current is still flowing to the unit, unless you unplug the unit from the AC outlet.
- If a lightning storm is approaching, turn off the power to the unit immediately, and disconnect the power plug from the AC outlet.  
Otherwise, fire or malfunction might be caused.
- If you plan not to use the unit for an extended period of time, be sure to unplug the power cord from the AC outlet.  
Otherwise, fire or malfunction might be caused.



## CAUTION

- Do not use an AC outlet that is so loose that the plug does not stay firmly in place. Otherwise, fire, electric shock, or burning might be caused.
- When disconnecting the power cord from the AC outlet, grasp the plug; do not pull the cord. Otherwise, the power cord may be damaged, causing an electric shock or fire.
- Insert the power plug into the AC outlet all the way firmly. If the plug is not inserted completely, use of the unit might cause an electric shock. Or, dust might build up on the plug, causing fire or burning.

## NOTICE

If you plan not to use the unit for an extended period of time, be sure to unplug the power cord from the AC outlet. Even when the STANDBY/ON/OFF (Power) switch is turned off (the power indicator is dark), a minimal amount of electric current is still flowing to the unit.



---

# Reference Materials

---

M-5000

# General specifications

## Rated output power (20 Hz to 20 kHz, 0.07% THD)

2-channel driven, 8Ω . . . . .	100 W + 100 W
2-channel driven, 4Ω . . . . .	200 W + 200 W
Driven in monaural, 8Ω . . . . .	400 W

## Dynamic power

8Ω . . . . .	125 W + 125 W
6Ω . . . . .	170 W + 170 W
4Ω . . . . .	250 W + 250 W
2Ω . . . . .	500 W + 500 W

## Maximum output power (1 kHz, 0.7% THD)

[Models for U.K. and Europe]	
4Ω . . . . .	220 W + 220 W

## IEC output power (1 kHz, 0.02% THD)

[Models for U.K. and Europe]	
8Ω . . . . .	125 W + 125 W

## Maximum effective output power (JEITA, 1 kHz, 10% THD)

[Models for China, Korea, U.K., Asia, Central and South America, and Taiwan]	
8Ω . . . . .	135 W + 135 W
4Ω . . . . .	270 W + 270 W

## Power bandwidth (MAIN L/R, 0.1% THD, 45 W)

8Ω . . . . .	10 Hz to 50 kHz
--------------	-----------------

## Damping factor (1 kHz)

8Ω . . . . .	≥300
--------------	------

## Input sensitivity/input impedance (1 kHz, 100 W/8Ω)

BAL . . . . .	2.0 Vrms/47 kΩ
LINE . . . . .	1.0 Vrms/47 kΩ

## Maximum input signal voltage (1 kHz, 0.5% THD)

BAL . . . . .	2.20 Vrms
LINE . . . . .	1.10 Vrms

## Frequency response

5 Hz to 100 kHz . . . . .	+0/-3 dB
20 Hz to 20 kHz . . . . .	+0/-0.3 dB

## Total harmonic distortion plus noise (20 Hz to 20 kHz)

2-channel driven, LINE to SPEAKERS, 50 W/8Ω . . . . .	0.035%
2-channel driven, BAL to SPEAKERS, 50 W/8Ω . . . . .	0.035%

Driven in monaural, LINE to SPEAKERS, 200 W/8Ω . . . . .	0.05%
Driven in monaural, BAL to SPEAKERS, 200 W/8Ω . . . . .	0.05%

## Channel separation (Input 1.0 kΩ terminated)

1 kHz/10 kHz . . . . .	≥90 dB/≥70 dB
------------------------	---------------

## Signal to noise ratio (IHF-A network, input 1.0 kΩ shorted, reference level 200 W/4Ω)

. . . . .	110 dB
-----------	--------

## Residual noise (IHF-A network)

BAL . . . . .	40 μVrms
LINE . . . . .	50 μVrms

## Meter accuracy

. . . . .	Class 2.5
-----------	-----------

## Power supply

[Models for U.S.A. and Canada] . . . . .	AC 120 V, 60 Hz
[Model for China] . . . . .	AC 220 V, 50 Hz
[Model for Korea] . . . . .	AC 220 V, 60 Hz
[Model for Australia] . . . . .	AC 230-240 V, 50 Hz
[Models for U.K. and Europe] . . . . .	AC 230 V, 50 Hz
[Model for Asia] . . . . .	AC 220-240 V, 50 Hz/60 Hz
[Models for Central and South America, and Taiwan] . . . . .	AC 110 V, 60 Hz

## Power consumption

. . . . .	400 W
-----------	-------

## Standby power consumption

Off mode . . . . .	0.1 W
Standby mode . . . . .	0.2 W

## Maximum power consumption (1 kHz, 4Ω 10% THD)

[Models for Central and South America, and Taiwan] . . . . .	800 W
--	-------

## Dimensions (W x H x D)

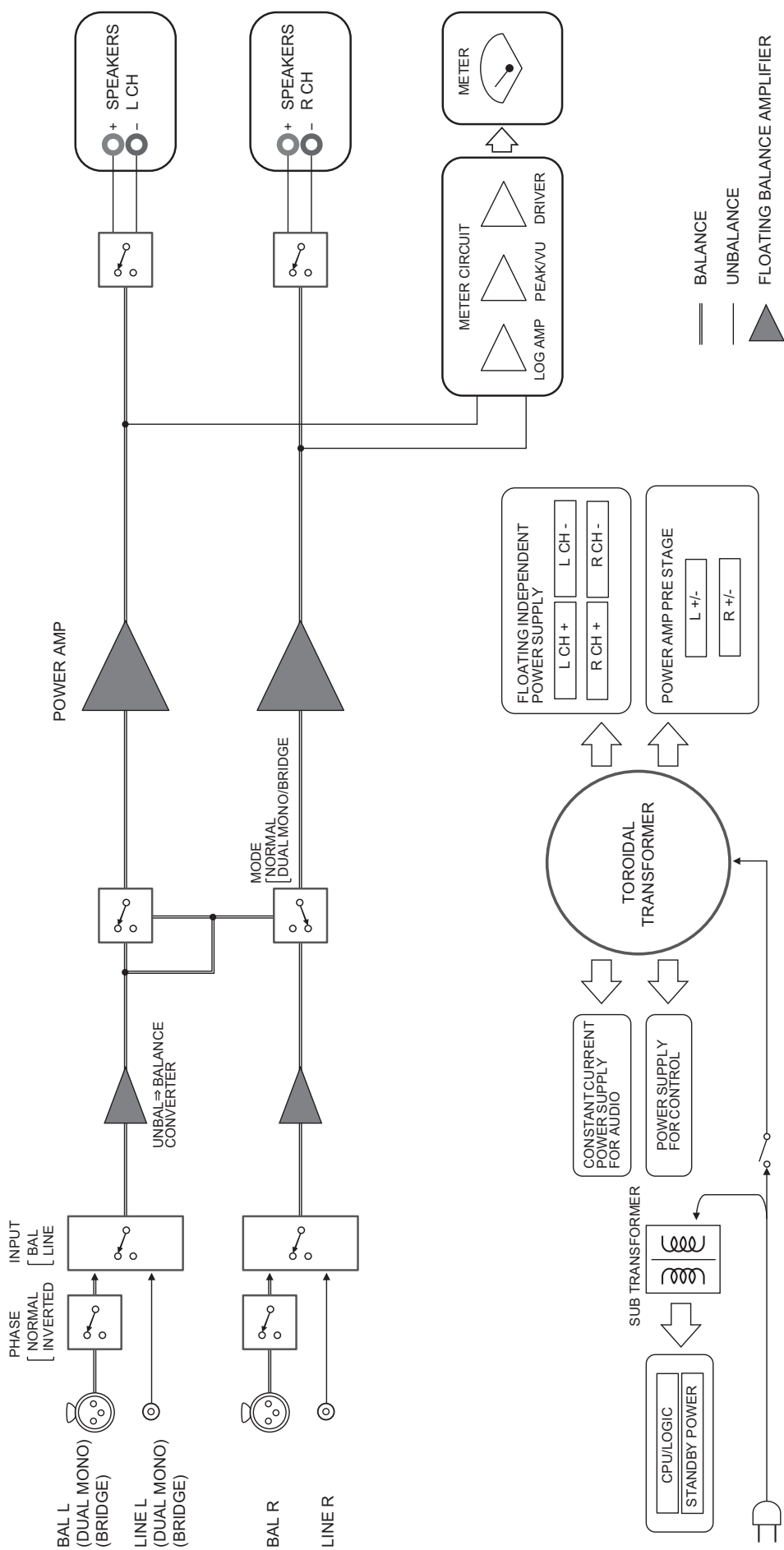
. . . . .	435 × 180 × 464 mm
-----------	--------------------

## Weight

. . . . .	26.9 kg
-----------	---------

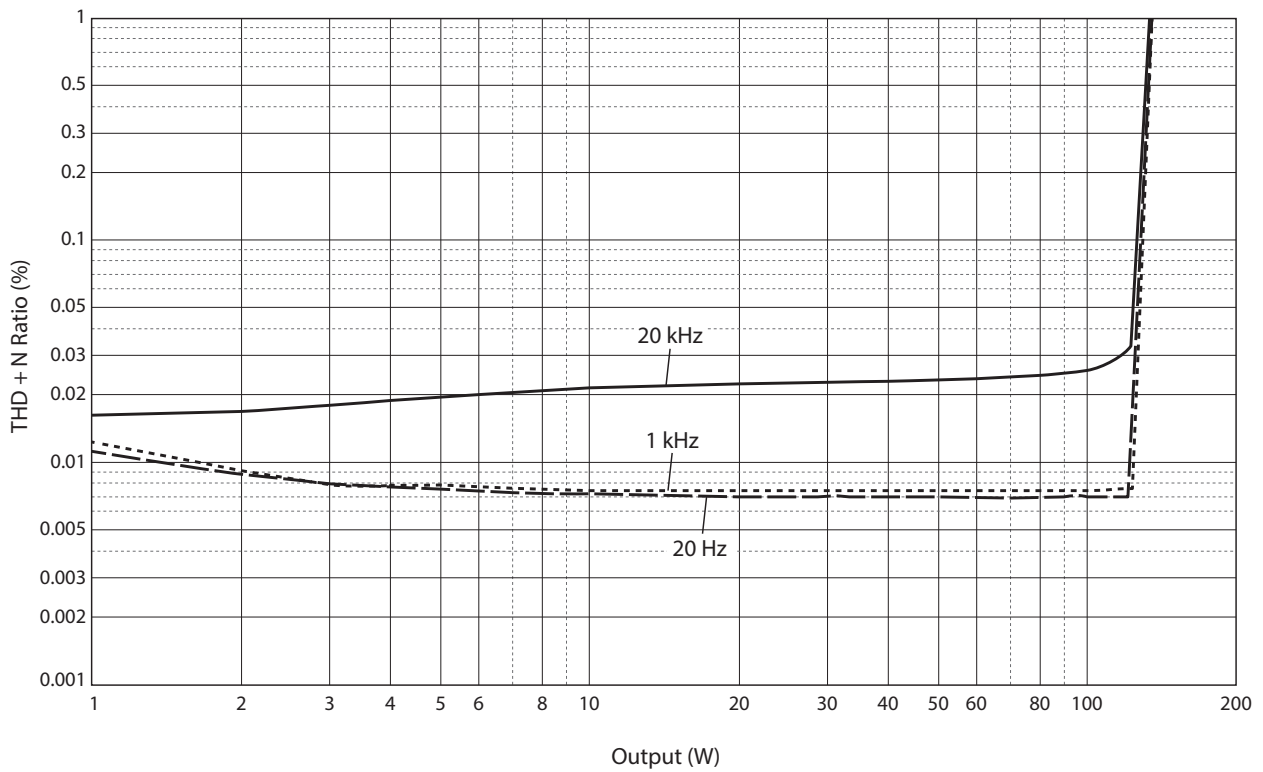
\* The contents of this manual apply to the latest specifications as of the publishing date. To obtain the latest manual, access the Yamaha website then download the manual file.

# Block diagram

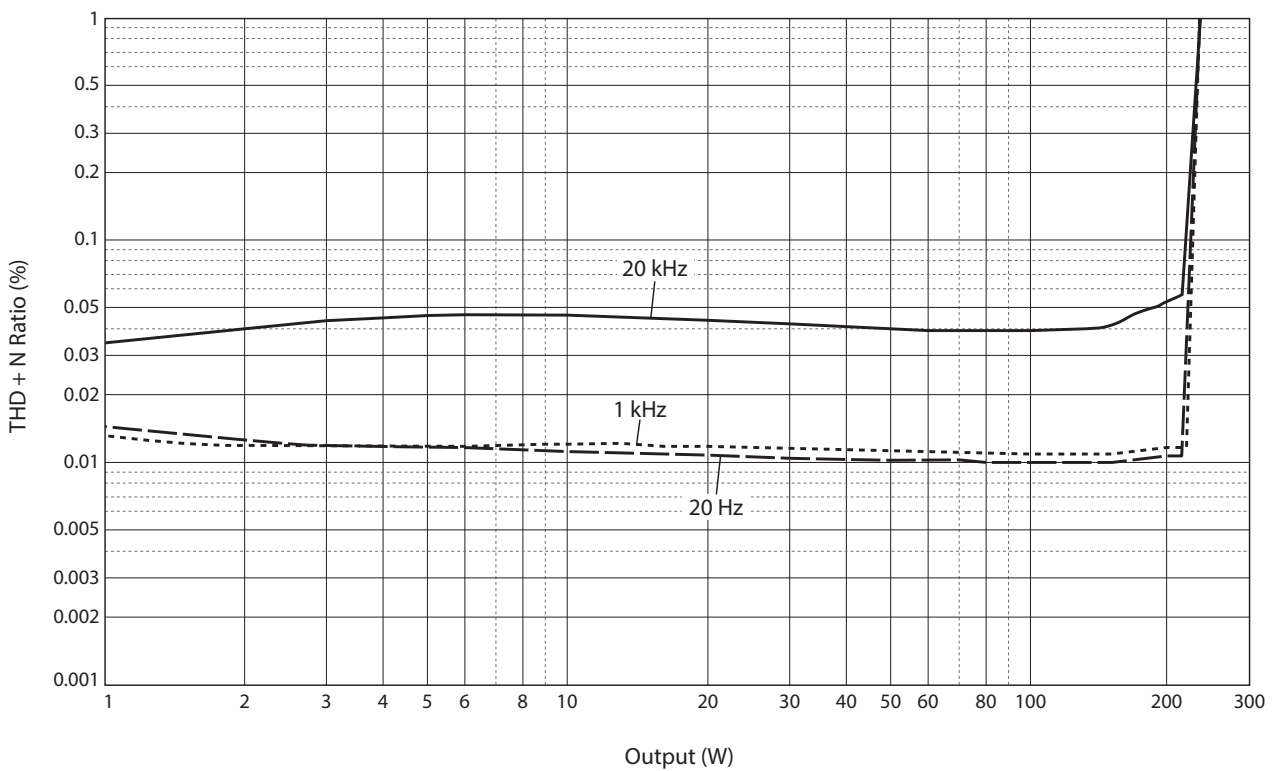


# Audio characteristics

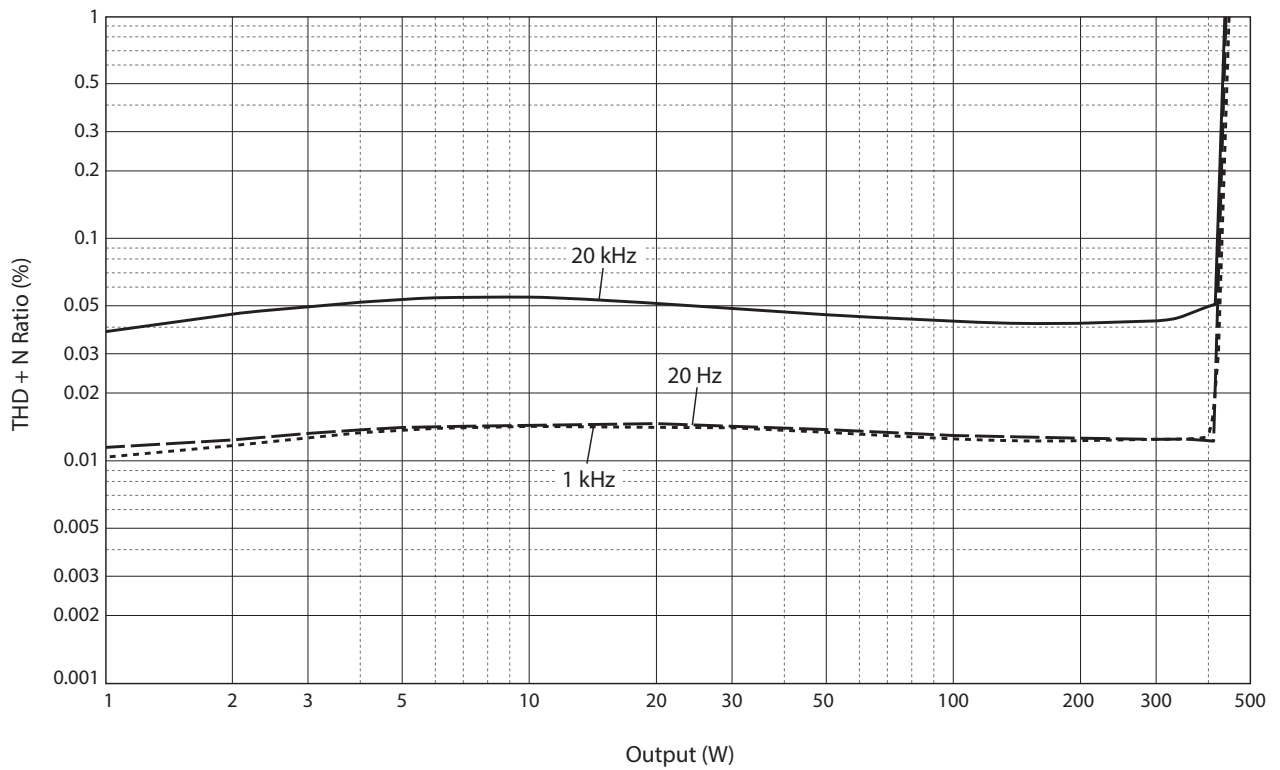
## Total harmonic distortion (8Ω)



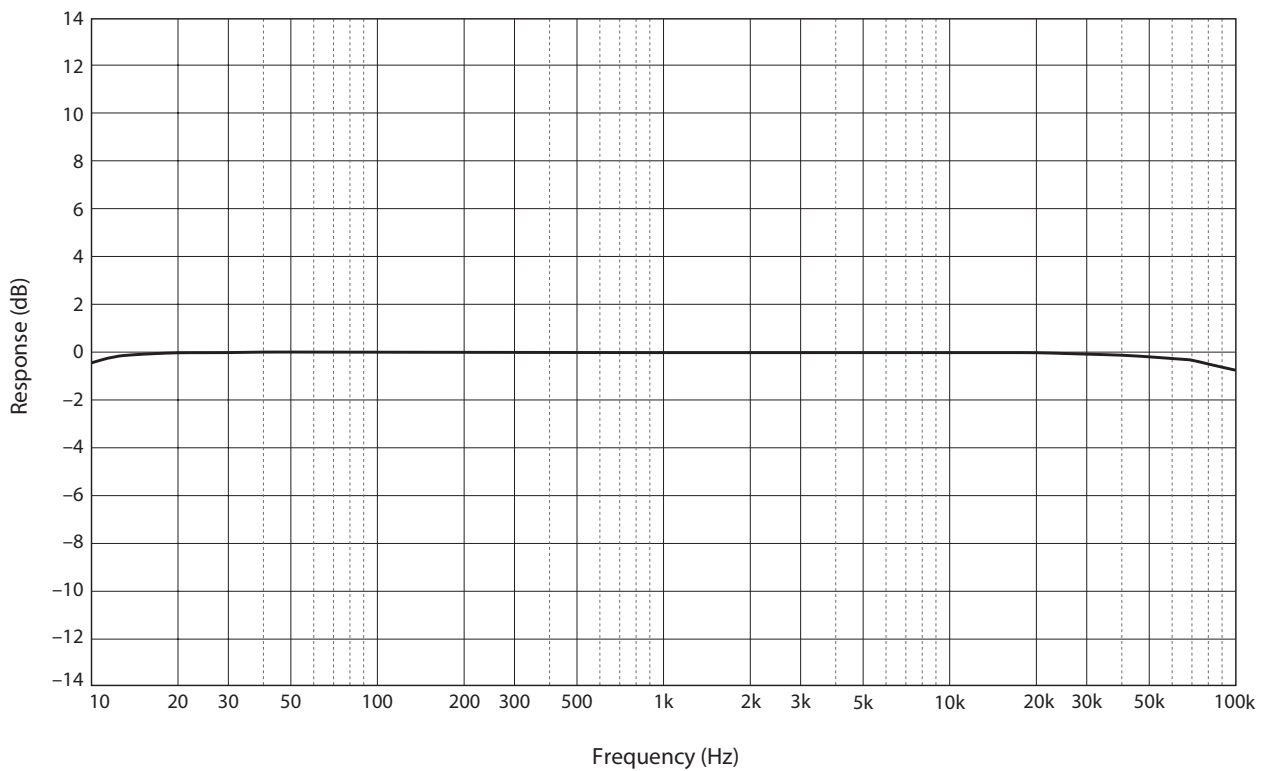
## Total harmonic distortion (4Ω)



## Total harmonic distortion (monaural 8Ω)



## Frequency response



# Troubleshooting

Refer to the table below if this unit does not function properly. If the instructions below do not help, or if the problem you are experiencing is not listed below, turn off the unit, disconnect the power cord, and contact the nearest authorized Yamaha dealer or service center.

Problem	Cause	Remedy	See page
<b>Power does not turn on.</b>	The power cord is not connected to the AC IN connector on the rear panel or is not plugged into an AC outlet.	Connect the power cord firmly.	24
	The protection circuitry has been activated because of a short circuit, etc.	Make sure that the speaker wires are not touching each other or shorting out against the rear panel of the unit, and then turn on the power to the unit.	16
	The unit has been exposed to a strong external electric shock (such as lightning or strong static electricity).	Turn off the unit, disconnect the power cord from the AC outlet, wait for about 30 seconds, and then plug the unit in again.	24
<b>The STANDBY/ON indicator on the front panel flashes.</b>	The protection circuitry has been activated because of a short circuit, etc.	Make sure that the speaker wires are not touching each other or shorting out against the rear panel of the unit, and then turn on the power to the unit.	16
	There is a problem with the internal circuitries of this unit.	Disconnect the power cord from the AC outlet and contact the nearest authorized Yamaha dealer or service center.	24
<b>The unit is turned on but no sound is heard.</b>	The protection circuitry has been activated because of a short circuit, etc.	Make sure that the speaker wires are not touching each other or shorting out against the rear panel of the unit, and then turn on the power to the unit.	16
	The SPEAKERS selector is set to OFF.	Set the SPEAKERS selector to the appropriate position.	6
	The speaker cables are not connected properly.	Make sure that the speaker cables are connected properly.	16
	The INPUT selector setting does not match the connected input source.	Select an appropriate input source with the INPUT selector on the front panel.	12

<b>Problem</b>	<b>Cause</b>	<b>Remedy</b>	<b>See page</b>
<b>The sound is suddenly muted.</b>	The protection circuitry has been activated because of a short circuit, etc.	Make sure that the speaker wires are not touching each other or shorting out against the rear panel of the unit, and then turn on the power to the unit.	16
	The speakers are not connected properly.	Make sure that the speakers are connected properly. If the problem persists, the cables might be defective.	16
<b>There is a lack of bass and no ambience.</b>	The + and – wires are connected in reverse at the amplifier or the speakers.	Connect the speaker wires to the correct + and – polarity.	15
<b>A “humming” noise is heard.</b>	Both balanced and unbalanced cables are being used simultaneously between two components.	Do not use both balanced and unbalanced cables simultaneously between two components. Doing so would create a ground loop that could generate static and noise.	12

---

---

# Index

---

---

<b>A</b>		<b>U</b>	
AUTO POWER STANDBY switch	9	Unbalanced connection	10
<b>B</b>		<b>Y</b>	
Balanced connection	10	Y-shaped lug cable	17
Balanced input jack	12		
BAL input jack	12		
Bi-amp connection	20		
Bi-wiring connection	18		
Bridge connection	22		
<b>C</b>			
Connecting a preamplifier	12		
Connecting the speaker cables	16		
Connecting the speakers	14		
<b>F</b>			
Feet	9		
<b>I</b>			
INPUT selector	12		
<b>L</b>			
LINE input jack	12		
<b>M</b>			
METER selector	7		
MODE selector	9		
<b>P</b>			
PHASE selector	10		
Power cord	24		
Power indicator	6		
Power switch	6		
<b>S</b>			
SERVICE jack	9		
SPEAKERS selector	6		
STANDBY/ON/OFF indicator	6		
STANDBY/ON/OFF switch	6		
<b>T</b>			
Trigger connection	13		
TRIGGER jack	13		
Turning the power on	6		





Gracias y enhorabuena por la compra de este producto Yamaha.

- ◆ Puede disfrutar del sonido estéreo de calidad alta de este amplificador de potencia en casa.
- ◆ En este Manual del propietario se describen las funciones y los procedimientos de conexión de la unidad.
- ◆ Para utilizar el producto de forma adecuada y segura, le sugerimos que lea detenidamente este manual y el Folleto de seguridad (folleto independiente).  
Conserve el manual en un lugar seguro y de fácil acceso como referencia futura.

Puede descargar una versión en PDF de este manual desde el siguiente sitio web de Yamaha.

<https://download.yamaha.com/>

---

---

## Funciones

---

---

- ◆ Transmisión completamente balanceada y flotante de entrada a salida
- ◆ Selectores de palanca con alto grado de rigidez
- ◆ La estructura mecánica estable con conexión a tierra reduce drásticamente el impacto de las vibraciones externas
- ◆ Diseño simétrico de izquierda-derecha
- ◆ Alimentación de gran caudal con cuatro circuitos separados y condensadores grandes de  $33\ 000\ \mu\text{F} \times 4$
- ◆ Patas con puntas de latón de nuevo diseño
- ◆ Potente salida de  $400\ \text{W}/8\Omega$  dirigida en monaural



---

---

## Acerca de este manual

---

---

- ◆ Las ilustraciones que se muestran en este manual son únicamente orientativas.
- ◆ Los nombres de empresas y de productos que aparecen en este manual son marcas comerciales o marcas comerciales registradas de sus respectivos propietarios.
- ◆ “ **ADVERTENCIA**” describe las precauciones que se deben seguir para evitar la posibilidad de lesiones graves o la muerte.
- ◆ “ **ATENCIÓN**” describe las precauciones que se deben seguir para evitar la posibilidad de lesiones.
- ◆ “**AVISO**” describe las precauciones que se deben seguir para evitar la posibilidad de averías/daños al producto o daños a los datos.
- ◆ “**Nota**” describe información complementaria acerca del producto.
- ◆ Antes de comenzar a utilizar el producto, asegúrese de leer el documento “Folleto de seguridad” independiente.

---

---

# Contenido

---

---

<b>Funciones</b> . . . . .	<b>.34</b>
<b>Acerca de este manual</b> . . . . .	<b>.34</b>
<b>Accesorios suministrados</b> . . . . .	<b>.36</b>
<b>Mantenimiento</b> . . . . .	<b>.36</b>
Paneles laterales con acabado de espejo . . . . .	36
Superficies distintas de los paneles laterales con acabado de espejo . . . . .	36

## Nombres y funciones de las piezas

<b>Panel delantero</b> . . . . .	<b>.38</b>
<b>Panel trasero</b> . . . . .	<b>.40</b>
Conexiones balanceadas y no balanceadas. . . . .	42

## Conexiones

<b>Conexión de un preamplificador</b> . . . . .	<b>.44</b>
<b>Conexiones de activación</b> . . . . .	<b>.45</b>
<b>Conexiones básicas de los altavoces</b> . . . . .	<b>.46</b>
<b>Conexión de los cables de los altavoces</b> . . . . .	<b>.48</b>
Mediante cables de altavoces estándar . . . . .	48
Mediante cables de lengüeta en Y . . . . .	49
<b>Conexiones bicable</b> . . . . .	<b>.50</b>
<b>Conexiones de biamplificación</b> . . . . .	<b>.52</b>
<b>Conexión puenteada</b> . . . . .	<b>.54</b>
<b>Conexión del cable de alimentación</b> . . . . .	<b>.56</b>

## Materiales de referencia

<b>Especificaciones generales</b> . . . . .	<b>.58</b>
<b>Diagrama en bloques</b> . . . . .	<b>.59</b>
<b>Características de audio</b> . . . . .	<b>.60</b>
Distorsión armónica total (8 $\Omega$ ) . . . . .	60
Distorsión armónica total (4 $\Omega$ ) . . . . .	60
Distorsión armónica total (8 $\Omega$ monoaural) . . . . .	61
Respuesta de frecuencia. . . . .	61
<b>Resolución de problemas</b> . . . . .	<b>.62</b>
<b>Índice</b> . . . . .	<b>.64</b>

---

# Accesorios suministrados

---

Asegúrese de que el embalaje incluye los accesorios siguientes.

- Cable de alimentación
- Cable del sistema
- Manual de instrucciones (este libro)
- Folleto de seguridad (folleto independiente)



## ADVERTENCIA

No utilice el cable de alimentación suministrado para otros dispositivos.

---

# Mantenimiento

---

Para utilizar este producto durante un periodo prolongado, se recomienda realizar un mantenimiento periódico.



## ADVERTENCIA

- Compruebe el cable de alimentación periódicamente para ver si acumula polvo. Si es así, limpie todo el polvo. De lo contrario, se puede provocar un incendio o una descarga eléctrica.
- No utilice aerosoles o pulverizadores de gas inflamable con fines de limpieza o lubricación. De lo contrario, el gas inflamable se acumulará en el interior de la unidad, lo que puede provocar una explosión o un incendio.

## AVISO

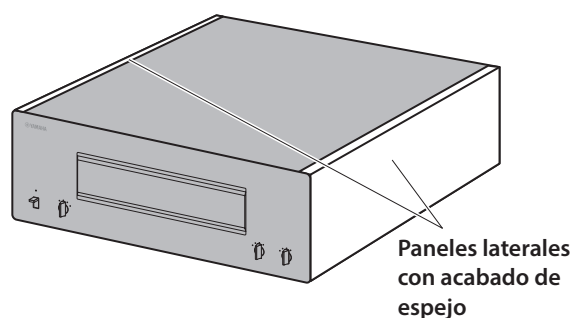
- Utilice un paño suave y seco para limpiar la unidad. El uso de agentes de limpieza, como benceno o diluyente, detergente o un paño tratado químicamente puede provocar cambios de color o el deterioro de la superficie. Si la superficie se ensucia mucho, humedezca un paño con detergente (diluido en agua), escúrralo bien y limpie la suciedad.
- Si limpia la zona de la superficie cercana al logotipo de Yamaha con fuerza, es posible que el logotipo se despegue o que se adhieran fibras del paño a la superficie.

## Paneles laterales con acabado de espejo

Se recomienda utilizar un paño de limpieza como los destinados a pianos. Si la superficie está muy sucia, utilice un paño suave humedecido en agua y bien escurrido.

## Superficies distintas de los paneles laterales con acabado de espejo

Limpie las demás superficies con un paño suave y seco. Si la superficie se ensucia mucho, humedezca un paño con detergente diluido en agua, escúrralo bien y limpie la suciedad de la superficie.



---

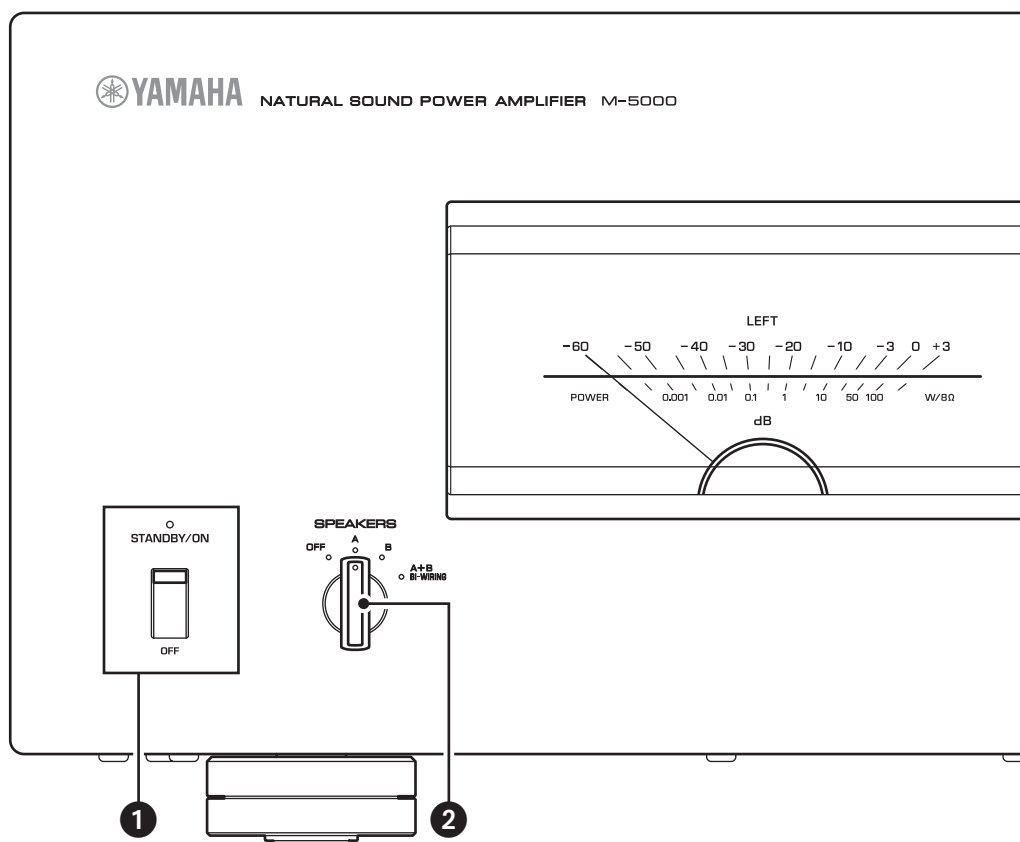
# Nombres y funciones de las piezas

---

En esta sección se describen los nombres y las funciones de las piezas en los paneles delantero y trasero.

**M-5000**

# Panel delantero



## 1 Interruptor/indicador STANDBY/ON/OFF (alimentación)

Activa o desactiva la alimentación de la unidad.

**STANDBY/ON:** activa la alimentación de la unidad.

**OFF:** desactiva la alimentación de la unidad.

Estado de alimentación	Indicador
Modo activado	Iluminación intensa
Modo de espera	Iluminación tenue
Modo desactivado	Apagado

La unidad pasará al modo de espera si se produce uno de los eventos siguientes:

- Si la unidad está encendida pero no se utiliza durante ocho horas con la función de espera automática activada.
- Si apaga la alimentación del dispositivo que esta conectado al TRIGGER IN de esta unidad.

Para obtener más información, consulte “7 Interruptor AUTO POWER STANDBY” de la sección “Panel trasero” (página 41) y “Conexiones de activación” (página 45).

## Nota

Tras encender la unidad, tendrá que esperar unos segundos antes de que pueda reproducir sonido.

## AVISO

Si no va a utilizar la unidad durante un periodo prolongado, asegúrese de desenchufar el enchufe de alimentación de la toma de CA. Aunque el interruptor STANDBY/ON/OFF (alimentación) esté desactivado (el indicador de alimentación está oscuro), una cantidad mínima de corriente eléctrica sigue fluyendo hacia la unidad.

## 2 Selector SPEAKERS

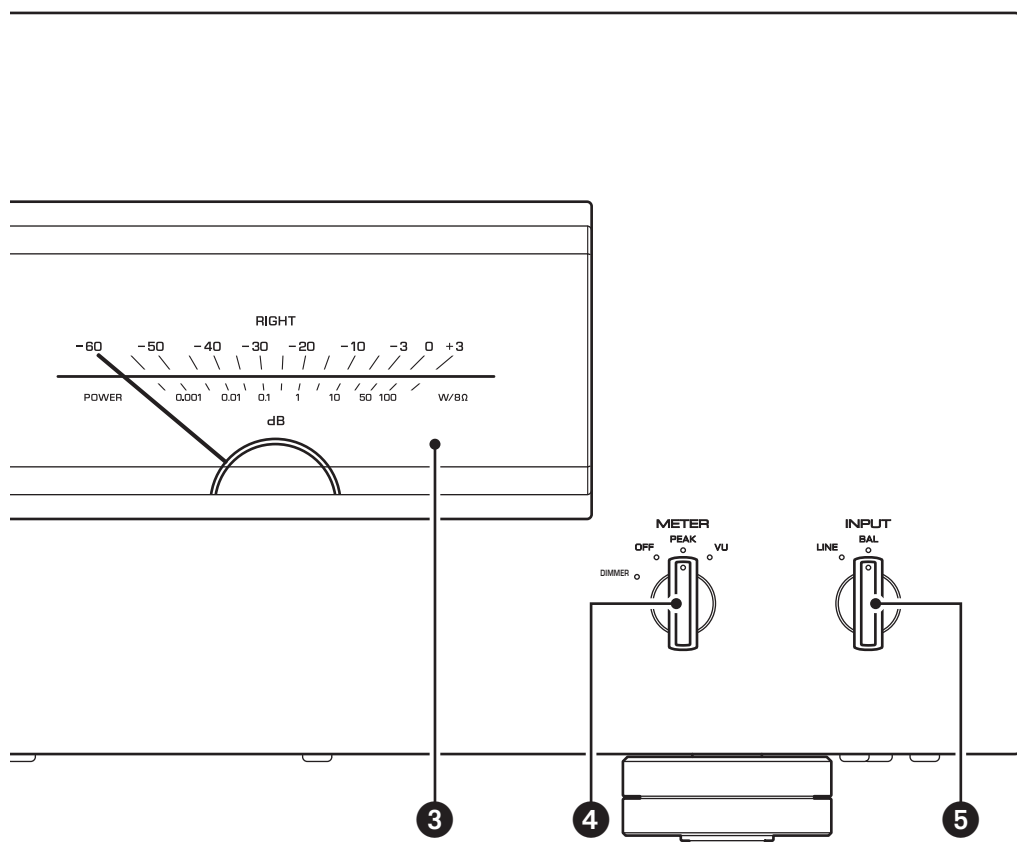
Enciende o apaga dos juegos de altavoces conectados a los terminales SPEAKERS A y B del panel trasero.

**OFF:** ambos juegos de altavoces están apagados.

**A:** el juego de altavoces conectado al terminal A está encendido.

**B:** el juego de altavoces conectado al terminal B está encendido.

**A+B/BI-WIRING:** ambos juegos de altavoces están encendidos.



## AVISO

Asegúrese de que la impedancia de cada altavoz es adecuada para la configuración del sistema. Para obtener más información, consulte "Conexiones básicas de los altavoces" (página 46), "Conexiones bicable" (página 50), "Conexiones de biamplificación" (página 52) y "Conexión puenteada" (página 54).

### 3 Visor del indicador (LEFT/RIGHT)

Indica el nivel de salida de audio de los canales izquierdo y derecho.

### 4 Selector METER

Cambia el tipo de visor del indicador a OFF, PEAK o VU.

**DIMMER:** ajusta el brillo del visor del indicador. El brillo cambiará lentamente entre el valor más brillante y el más oscuro (apagado). Al seleccionar el tipo de indicador girando el selector METER, el brillo en ese punto se utilizará para el visor.

**OFF:** desactiva el funcionamiento del indicador y la iluminación del visor.

**PEAK:** cambia el tipo de visor a un indicador de nivel máximo. El indicador de nivel máximo muestra el nivel instantáneo más alto de una señal de salida de audio.

**PEAK:** cambia el tipo de visor a un indicador de nivel VU (unidad de volumen). El indicador de nivel VU muestra un valor de salida de audio efectivo que representa la forma en que los oídos humanos perciben el sonido.

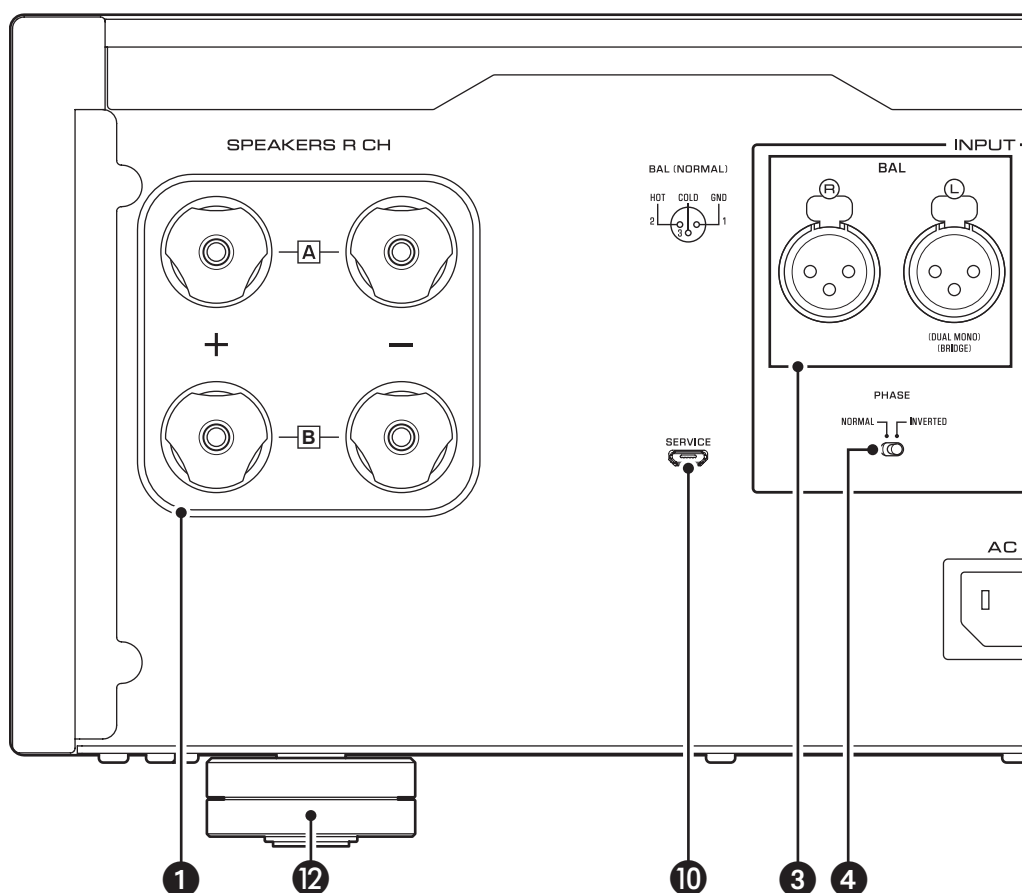
### 5 Selector INPUT

Le permite seleccionar jacks para reproducir una fuente de audio.

**LINE:** se reproducirá la entrada de fuente de audio procedente de los jacks LINE.

**BAL:** se reproducirá la entrada de fuente de audio procedente de los jacks BAL.

# Panel trasero



## Nota

Para obtener información acerca del procedimiento de conexión, consulte “Conexiones” (página 43).

### 1 Terminales de salida SPEAKERS R CH

### 2 Terminales de salida SPEAKERS L CH

Utilice los cables de altavoz incluidos para conectar los altavoces a los terminales. Para obtener información acerca del procedimiento de conexión, consulte “Conexiones” (página 43).

### 3 Jacks de entrada BAL

Se trata de jacks de entrada balanceada de tipo XLR. Conecte el preamplificador aquí. Establezca el selector PHASE según corresponda para el preamplificador conectado.

### 4 Selector PHASE

Establece la posición (polaridad) del contacto con corriente en los jacks de entrada BAL en función del preamplificador conectado. Para obtener más información, consulte “Conexiones balanceadas y no balanceadas” (página 42).

**NORMAL:** se especifica que el contacto n.º 2 tiene corriente.

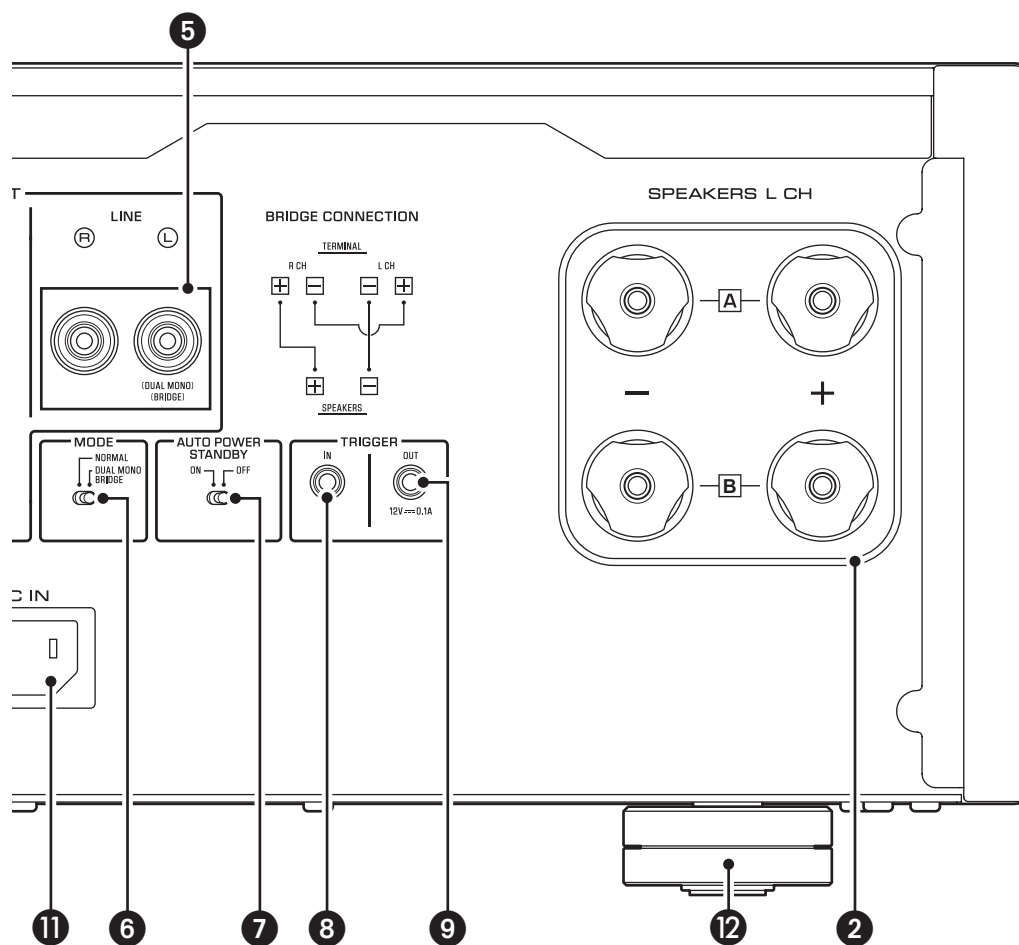
**INVERTED:** se especifica que el contacto n.º 3 tiene corriente.

Consulte el manual de instrucciones del componente conectado para averiguar la posición del contacto con corriente en los jacks de salida balanceada en el componente.

### 5 Jacks de entrada LINE

Se trata de jacks de entrada no balanceada de tipo RCA. Conecte el preamplificador aquí.





## 6 Selector MODE

Cambia la salida de los altavoces entre estéreo y monaural. Para obtener más información, consulte “Conexiones básicas de los altavoces” (página 46), “Conexiones bicable” (página 50), “Conexiones de biamplificación” (página 52) y “Conexión puenteada” (página 54).

**NORMAL:** la unidad se utiliza como un amplificador estéreo. Este es el ajuste estándar.

**DUAL MONO/BRIDGE:** la unidad se utiliza como un amplificador monaural. Seleccione este ajuste para conexiones de biamplificación o puenteadas.

## 7 Interruptor AUTO POWER STANDBY

**ON:** la unidad pasa automáticamente al modo de espera si está encendida pero no se utiliza durante ocho horas. Esta función está desactivada si el cable del sistema está conectado al jack TRIGGER IN.

**OFF:** la unidad no pasa automáticamente al modo de espera.

## 8 Jack TRIGGER IN

## 9 Jack TRIGGER OUT

Se utilizan para conectar un componente compatible con la función de activación para que pueda controlar la activación y desactivación de la alimentación de la unidad desde ese componente. Para obtener más información, consulte “Conexiones de activación” (página 45).

## 10 Jack SERVICE

Este jack se utiliza para probar el producto.

## 11 Jack AC IN

Conecte el cable de alimentación suministrado aquí. Para obtener más información, consulte “Conexión del cable de alimentación” (página 56).

## 12 Patas

Si la unidad no está estable, ajuste la altura de las patas según sea necesario girándolas.

## Conexiones balanceadas y no balanceadas

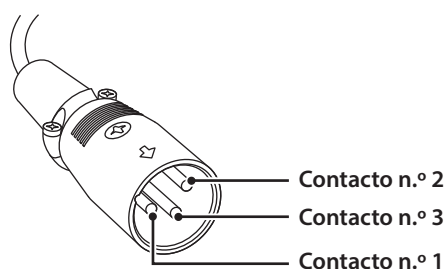
Esta unidad incluye jacks de entrada balanceada (BAL) y jacks de entrada no balanceada (LINE).

### AVISO

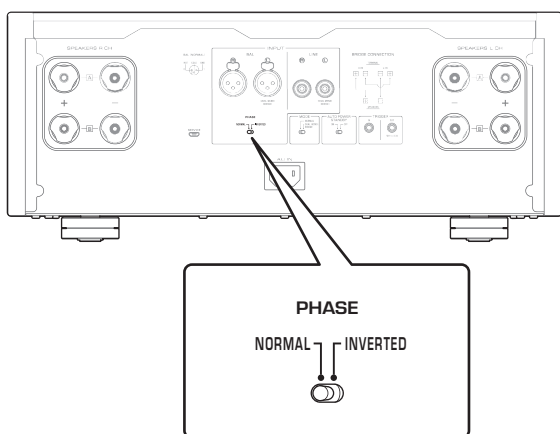
No utilice conexiones balanceadas y no balanceadas entre dos componentes simultáneamente. Si lo hace se creará un bucle a tierra que podría generar estática y ruido.

### Conexión balanceada

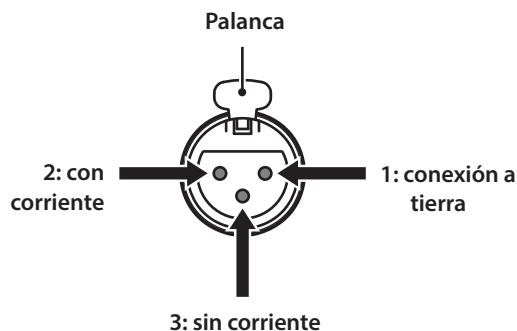
Una conexión balanceada supone una gran ventaja contra el ruido externo. Para una conexión balanceada, utilice un cable con conectores XLR macho. Al conectar un cable, asegúrese de alinear los contactos del conector con los orificios del jack y, a continuación, inserte el conector en el jack hasta que oiga un chasquido. Para retirar el cable, mientras mantiene presionada la palanca del jack BAL, extraiga el conector XLR macho del jack.



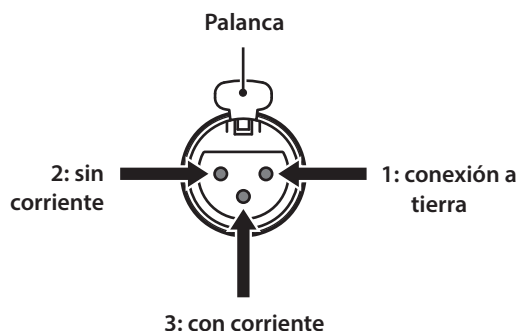
Al realizar una conexión balanceada, debe establecer correctamente la polaridad. Para establecer la polaridad, utilice el selector PHASE en el panel trasero.



Si el selector PHASE se establece en NORMAL, el contacto n.º 2 recibe corriente.



Si el selector PHASE se establece en INVERTED, el contacto n.º 3 recibe corriente.

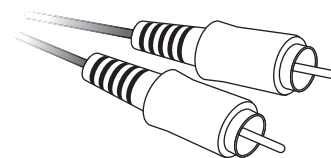


### Nota

Seleccione NORMAL (el contacto n.º 2 tiene corriente) para un reproductor o preamplificador Yamaha.

### Conexión no balanceada

Para una conexión no balanceada, utilice cables con clavija de tipo RCA. No transmiten información de fase.



---

# Conexiones

---

En esta sección se explica cómo conectar la unidad a un preamplificador y a altavoces.

**ATENCIÓN**

Desactive la alimentación de todos los componentes antes de realizar conexiones.

**AVISO**

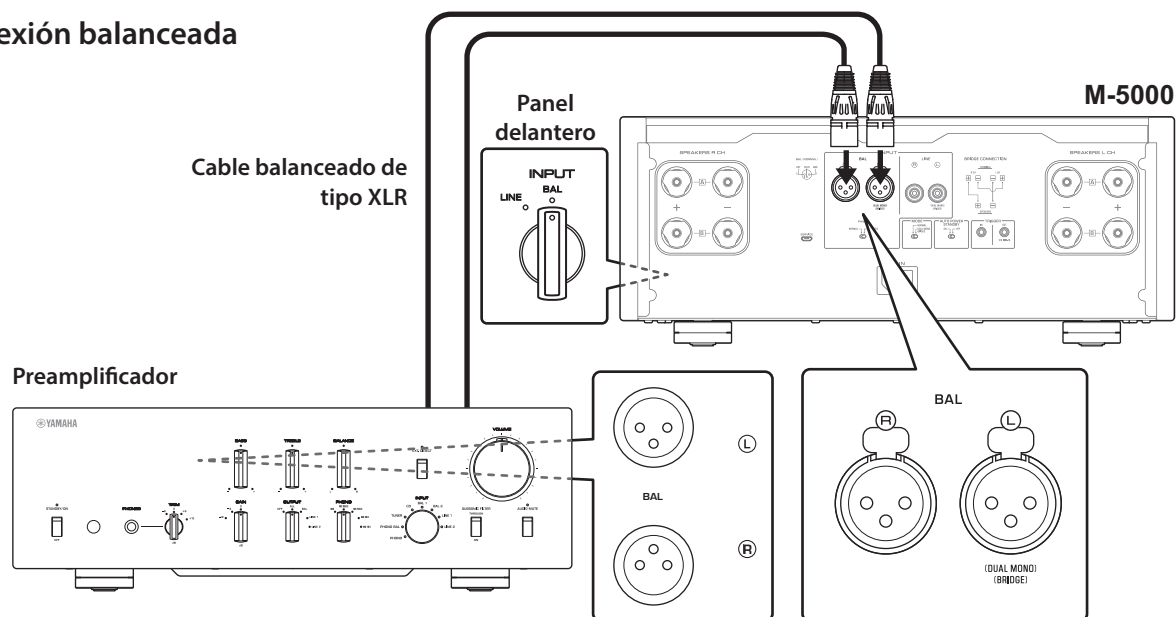
Antes de conectar componentes externos, lea y siga los manuales de instrucciones de dichos componentes. De lo contrario, se pueden producir averías en esta unidad o los componentes externos.

# M-5000

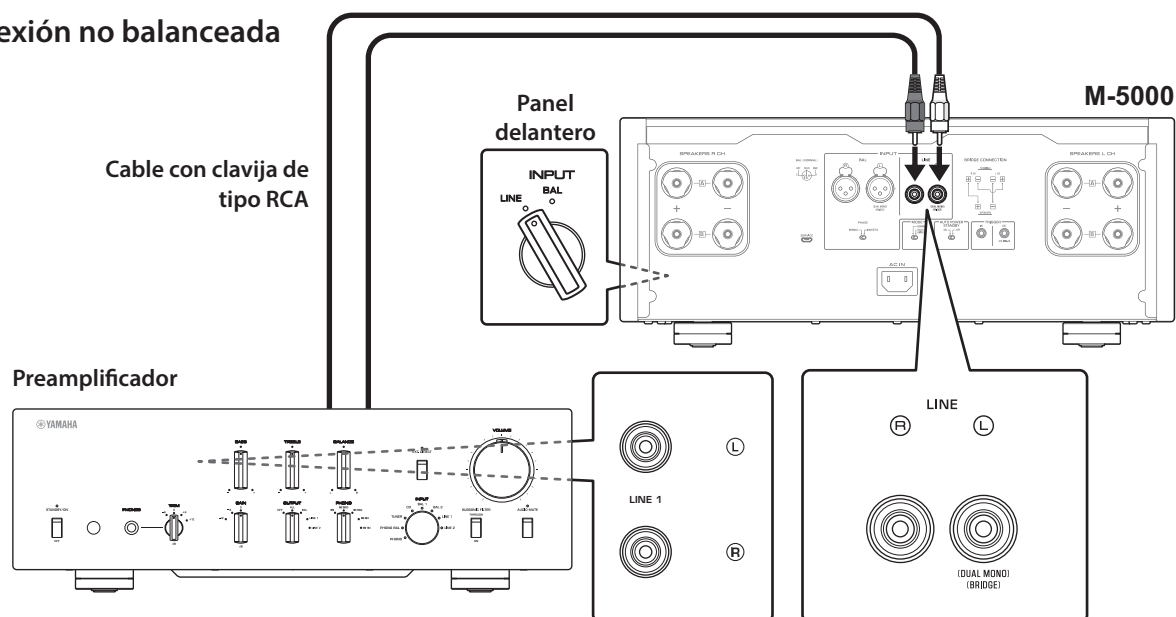
# Conexión de un preamplificador

Conecte el preamplificador a los jacks de entrada de la unidad. Para esta conexión, utilice cables balanceados de tipo XLR o cables no balanceados de tipo RCA.

## Conexión balanceada



## Conexión no balanceada



### AVISO

El nivel de volumen de la unidad es fijo. No conecte un componente que no disponga de un ajuste de volumen a los jacks de entrada de la unidad. De lo contrario, es posible que se emita un sonido alto que puede provocar una avería en la unidad o daños a los altavoces.

### Nota

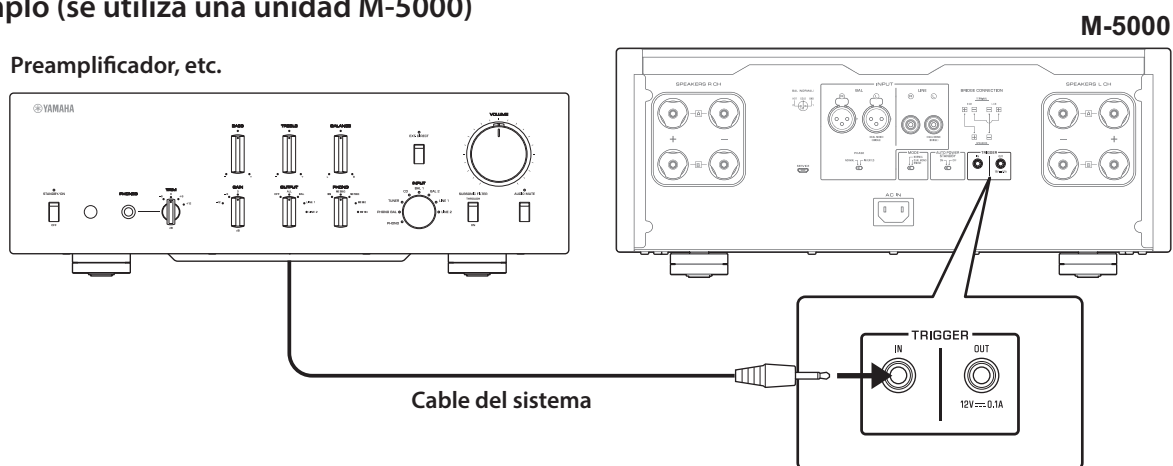
- Si el preamplificador admite conexiones tanto balanceadas como no balanceadas, utilice una conexión balanceada.
- No utilice conexiones balanceadas y no balanceadas entre dos componentes simultáneamente. Si lo hace se creará un bucle a tierra que podría generar estática y ruido.

# Conexiones de activación

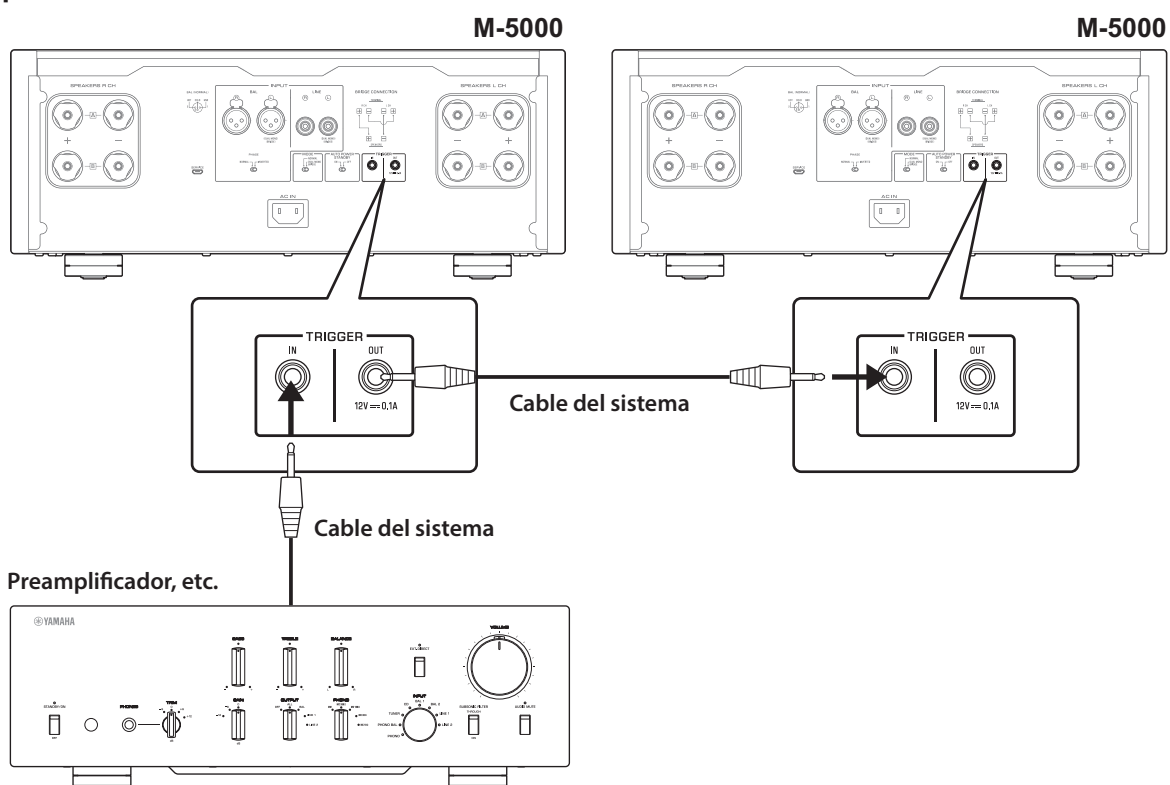
Puede controlar la activación y desactivación de la alimentación de la unidad de manera sincronizada con un componente Yamaha conectado, como un preamplificador o un receptor AV.

Utilice el cable del sistema suministrado para realizar conexiones como se muestra en el diagrama siguiente.

## Ejemplo (se utiliza una unidad M-5000)



## Ejemplo (se utilizan dos unidades M-5000)



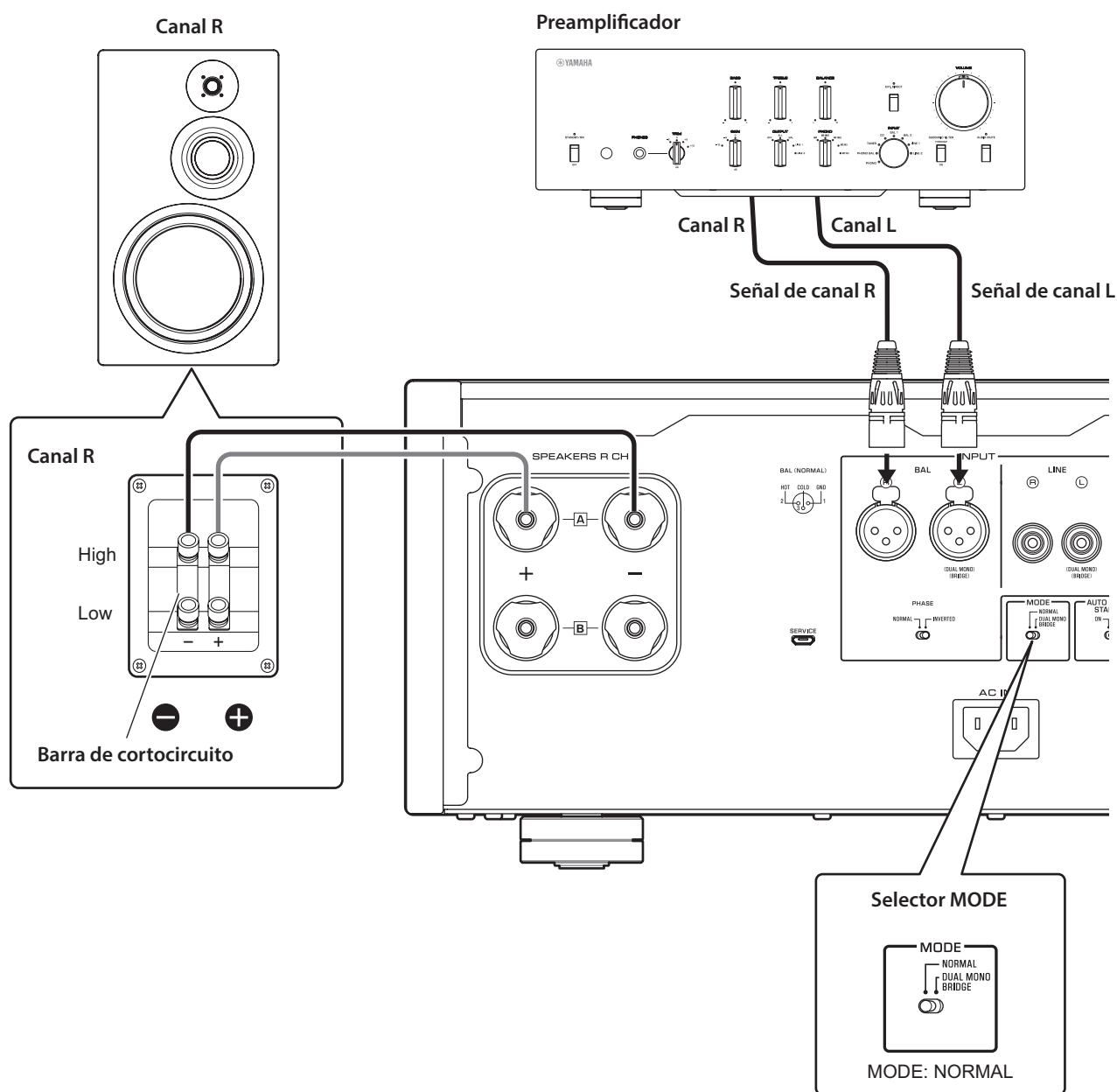
Para controlar la unidad en una configuración de conexión de activación, establezca el interruptor STANDBY/ON/OFF (alimentación) en STANDBY/ON.

Al activar la alimentación del componente conectado, también se activa la alimentación de esta unidad. Al desactivar la alimentación del componente conectado, esta unidad pasa al modo de espera.

### Nota

Cuando el interruptor de alimentación de esta unidad esté en la posición OFF, no se activará la alimentación de la unidad.

# Conexiones básicas de los altavoces



- 1 Desactive la alimentación de la unidad y de todos los componentes conectados.
- 2 Establezca el selector MODE del panel trasero en NORMAL.
- 3 Establezca el selector SPEAKERS del panel delantero en A, B o A+B BI-WIRING.  
En el diagrama se muestra el selector establecido en A.
- 4 Conecte el amplificador de potencia a los terminales "+" y "-" de los altavoces.

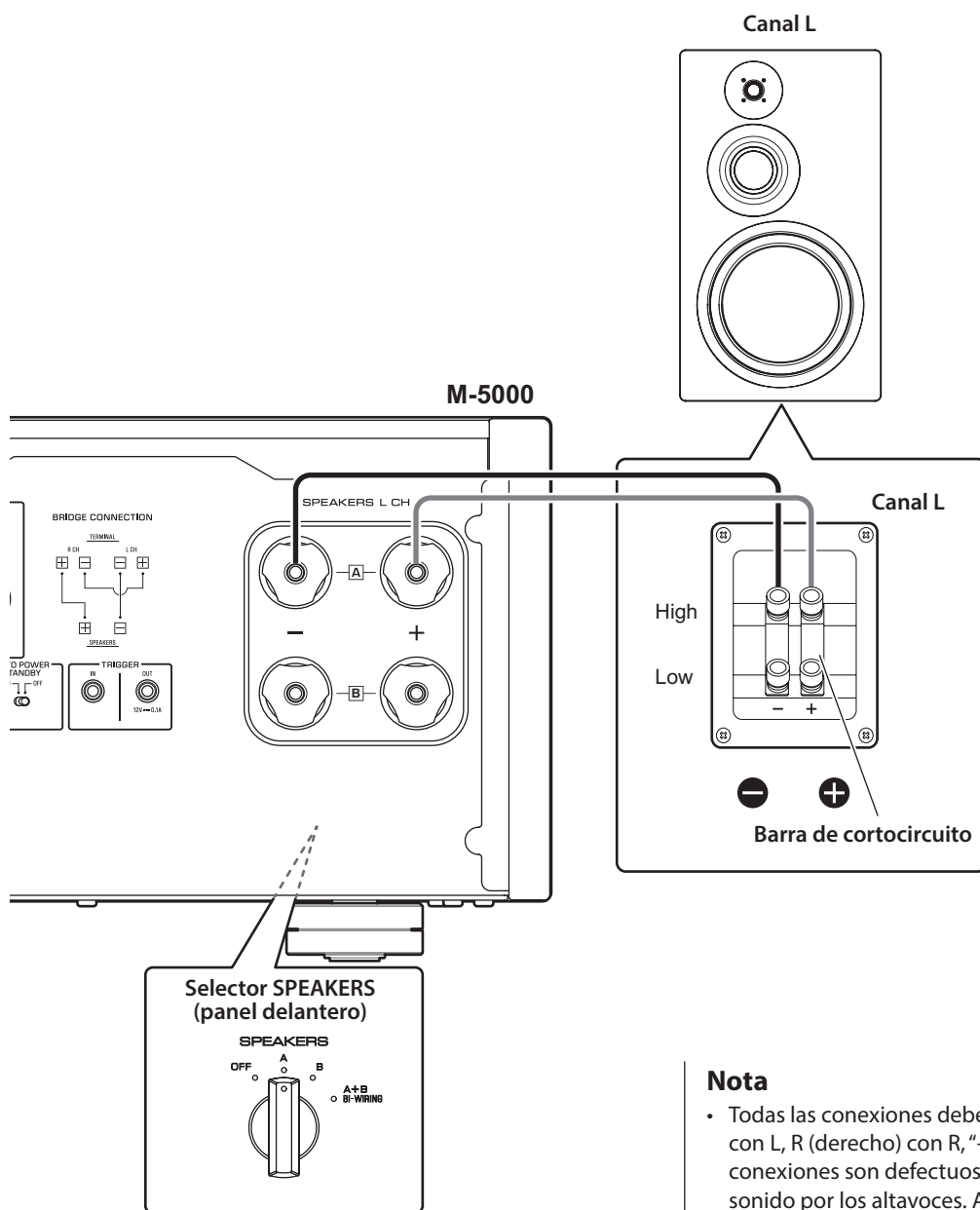
## ATENCIÓN

Asegúrese de utilizar altavoces que presenten la impedancia mostrada en la tabla siguiente.

Impedancia de los altavoces

Selector SPEAKERS	A	B	A+B
Conexión básica/ conexión bicable	4Ω o superior		8Ω o superior
Conexión de bi-amplificación	4Ω o superior		8Ω o superior
Conexión puenteada	8Ω o superior		16Ω o superior*

\* Salvo modelos para EE. UU. y Canadá



## ATENCIÓN

Antes de volver a activar la alimentación del componente fuente, baje primero el nivel de volumen de dicho componente.

## AVISO

- No deje que los cables desnudos de los altavoces se toquen entre sí ni que toquen cualquier parte metálica de esta unidad. De lo contrario, la unidad o los altavoces podrían resultar dañados.
- No conecte un altavoz de subgraves activo a esta unidad. Conecte el altavoz de subgraves al preamplificador.

## Nota

- Todas las conexiones deben ser correctas: L (izquierdo) con L, R (derecho) con R, "+" con "+" y "-" con "-". Si las conexiones son defectuosas, no se escuchará ningún sonido por los altavoces. Además, si la polaridad de las conexiones de los altavoces es incorrecta, el sonido no será natural y notará ausencia de graves.
- Como este amplificador de potencia es de tipo balanceado flotante, no son posibles los tipos de conexiones siguientes.
  - Conexión entre dos terminales "+" (o dos "-") en los canales izquierdo y derecho (Fig. 1).
  - Conexión de cada terminal "-" de los canales izquierdo y derecho de la unidad en los altavoces de canales opuestos (conexión en cruz, Fig. 2).
  - Conexión de los terminales "-" de los canales izquierdo/derecho (o contacto accidental entre ellos) con la parte metálica del panel trasero de la unidad.

Figura 1

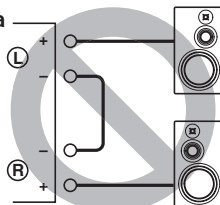
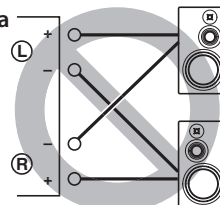


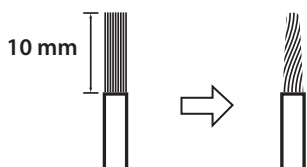
Figura 2



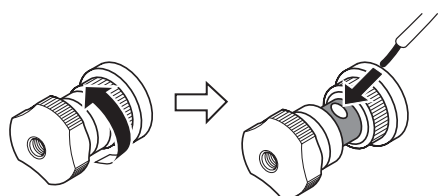
# Conexión de los cables de los altavoces

## Mediante cables de altavoces estándar

- 1 Quite aproximadamente 10 mm de aislamiento del extremo de cada cable de altavoz y luego retuerza juntos los hilos expuestos para evitar cortocircuitos.



- 2 Desatornille la perilla en cada terminal SPEAKERS y luego inserte el hilo pelado en el orificio lateral del terminal.



Diámetro del orificio para hilo del cable del altavoz: 6 mm

- 3 Apriete la perilla.



### ATENCIÓN

- No afloje la perilla excesivamente. De lo contrario, podría salirse y un niño podría ingerirla accidentalmente.
- Para reducir el riesgo de descarga eléctrica, no toque los terminales SPEAKERS con la alimentación de la unidad encendida.

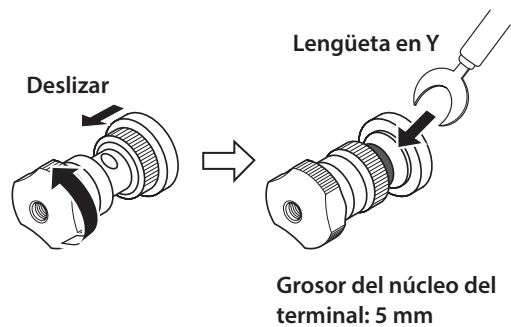
### AVISO

Si los terminales SPEAKERS entran en contacto con un armario metálico, se puede producir un cortocircuito que dañará esta unidad. Si instala la unidad en un armario, deje una distancia suficiente para evitar que los terminales SPEAKERS entren en contacto con el armario.

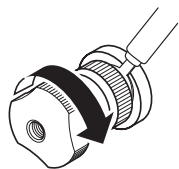


## Mediante cables de lengüeta en Y

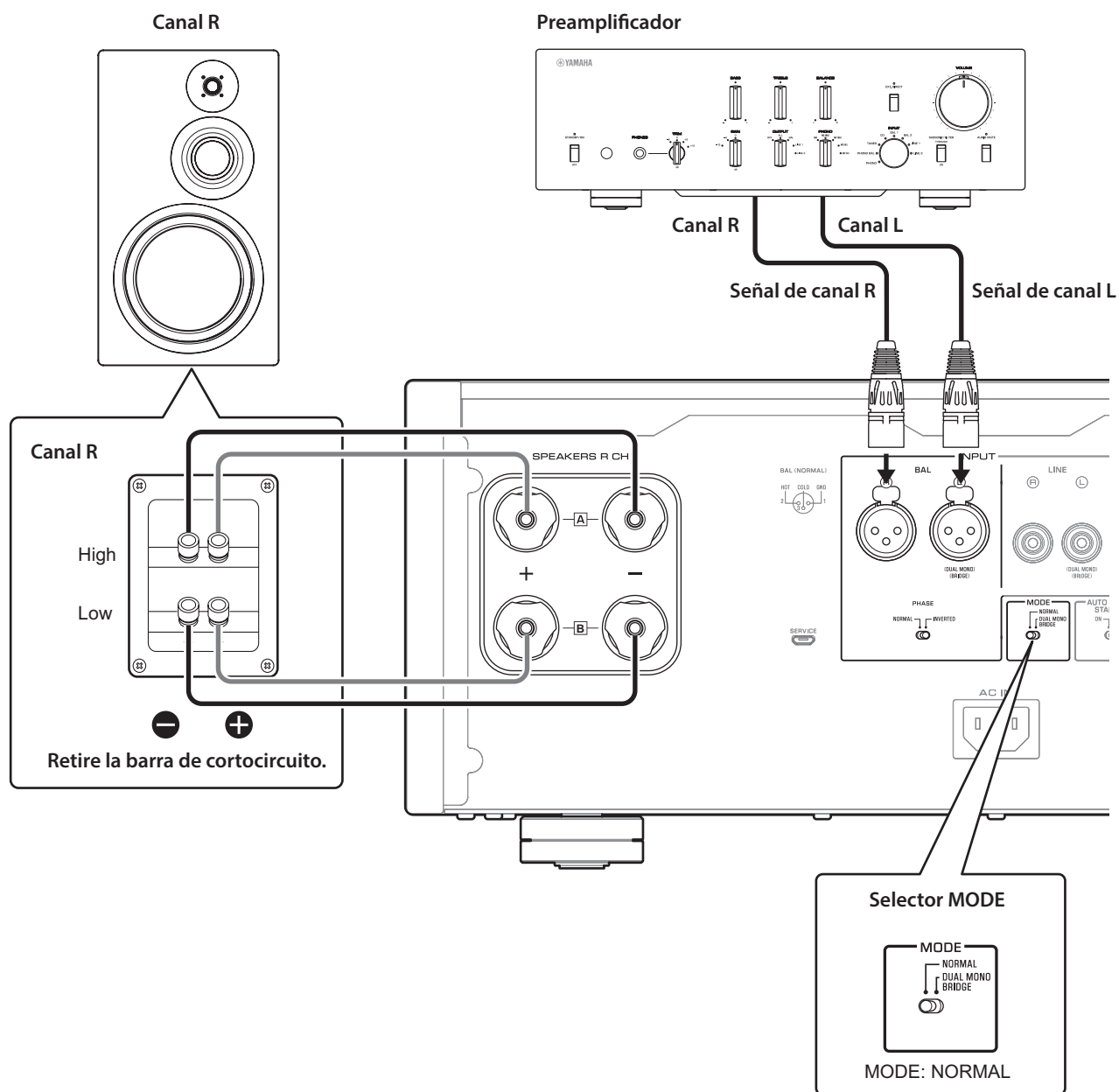
- 1 Desatornille la perilla y luego meta la lengüeta en Y entre la parte del anillo y la base del terminal.



- 2 Apriete la perilla.



# Conexiones bicable



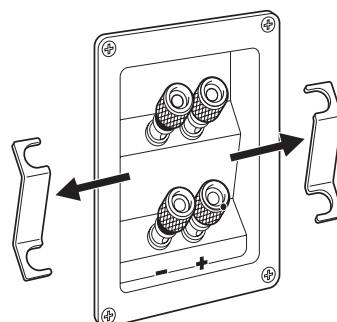
Para realizar conexiones bicable de los altavoces, se utilizan cables independientes para conectar el potenciador de altavoz de frecuencias medias/altas (agudos) y el potenciador de frecuencias bajas (graves) en cada altavoz que permite la conexión bicable al amplificador. El uso de cables independientes desde el amplificador puede tener un efecto importante para liberar el circuito de agudos de la circulación inversa de la EMF (fuerza electromotriz) generada por la bobina de voz de los graves, lo que genera menor interferencia entre la gama de HF y LF y una mejor calidad de sonido.

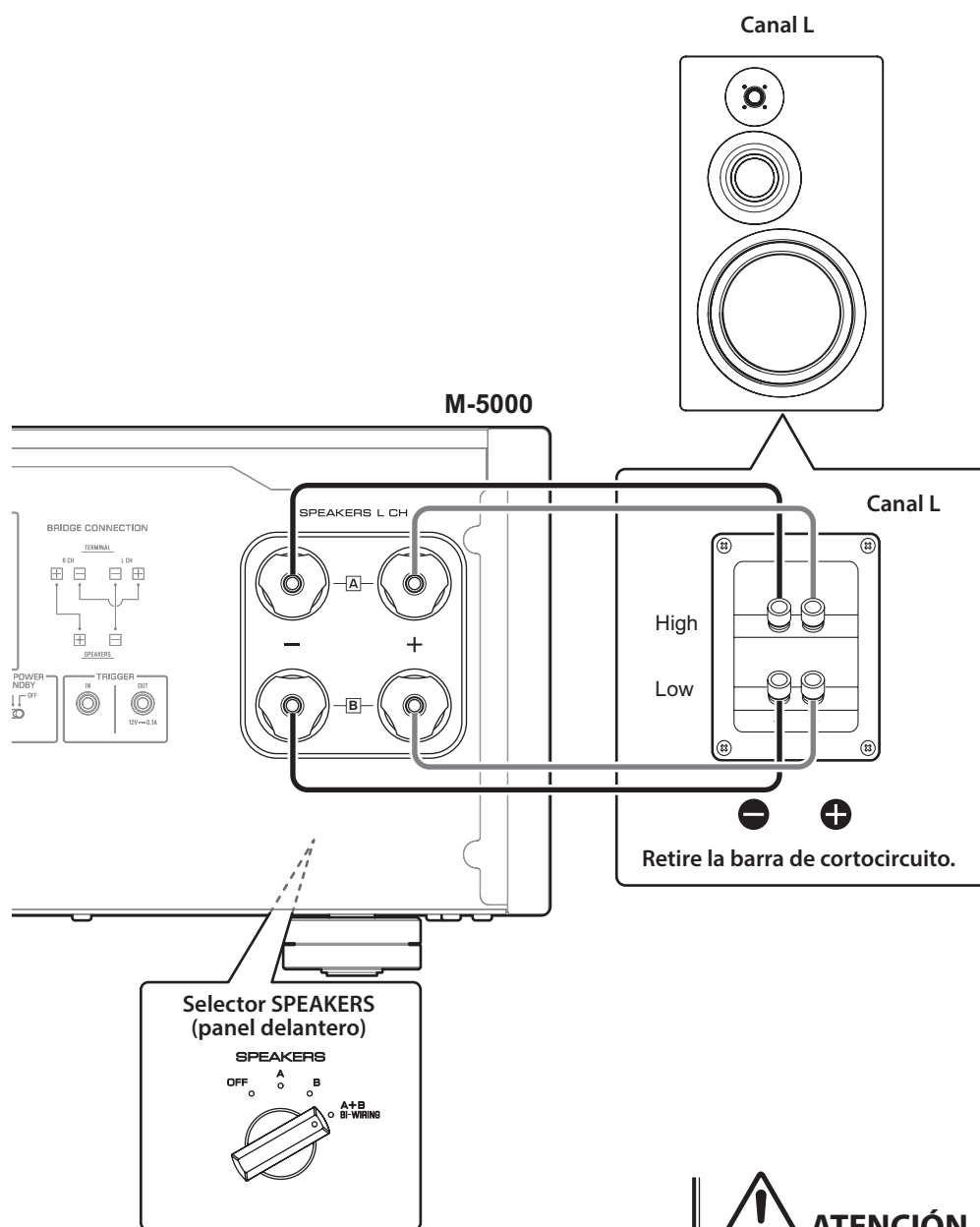
Debe utilizar altavoces que presenten dos juegos de terminales (un total de cuatro) y que permitan dividir cada altavoz en dos secciones (gamas de frecuencias bajas y frecuencias medias/altas).

**1** Desactive la alimentación de la unidad y de todos los componentes conectados.

**2** Retire las barras o puentes de cortocircuito en los altavoces.

La redes de cruce de LPF (filtro de paso bajo) y HPF (filtro de paso alto) se separarán.





### 3 Conecte el amplificador de potencia a los altavoces.

Para cada altavoz de canal, conecte los cables desde los terminales de gamas medias/altas del altavoz a los jacks SPEAKERS A del amplificador del canal correspondiente, y desde los terminales de gamas bajas del altavoz a los jacks SPEAKERS B del amplificador del canal correspondiente, respectivamente.

### 4 Establezca el selector MODE del panel trasero en NORMAL.

### 5 Establezca el selector SPEAKERS del panel delantero en A+B BI-WIRING.

### ⚠ ATENCIÓN

Asegúrese de utilizar altavoces que presenten la impedancia mostrada en la tabla siguiente.

#### Impedancia de los altavoces

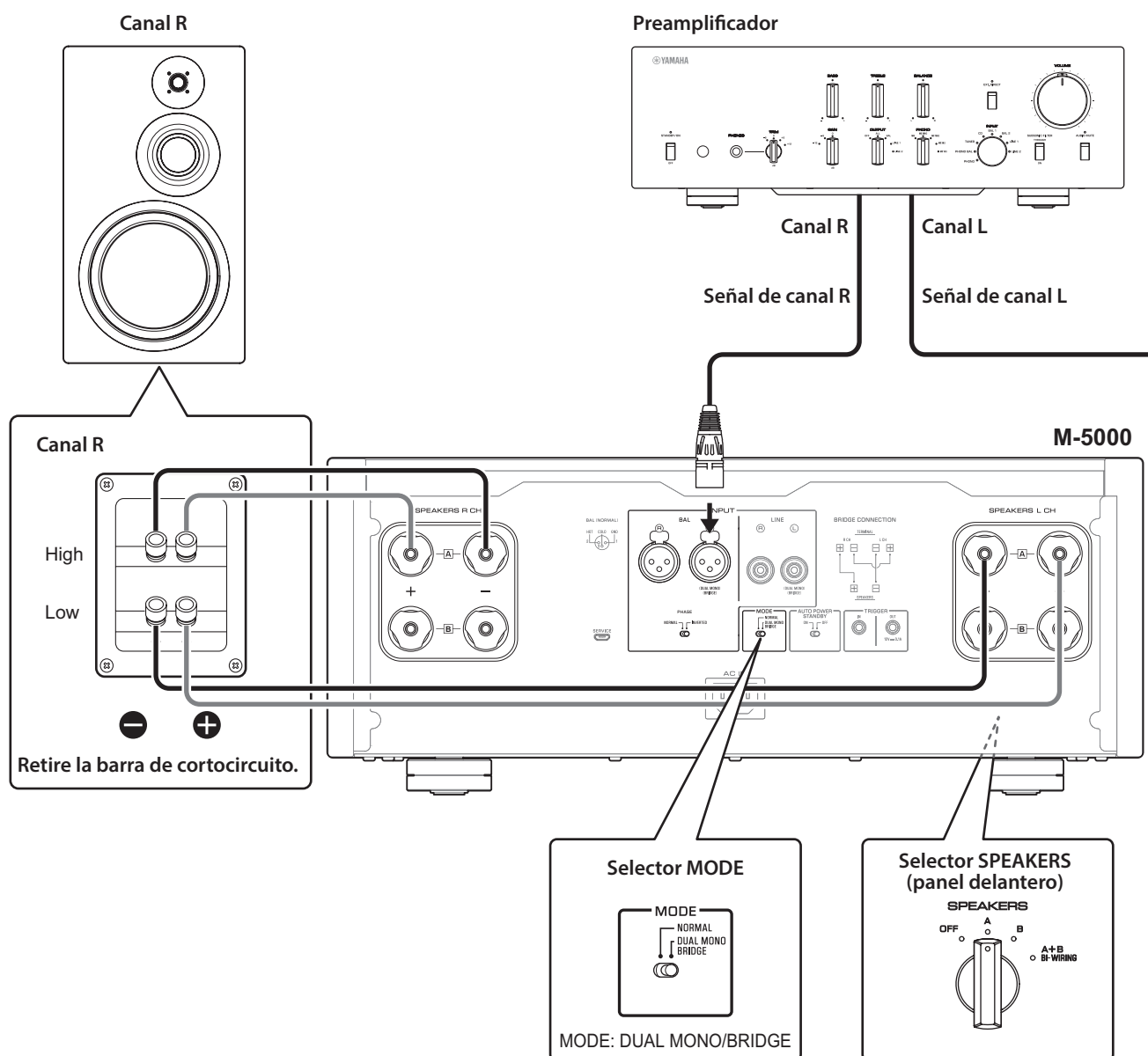
Selector SPEAKERS	A	B	A+B
Conexión básica/ conexión bicable	4Ω o superior		8Ω o superior
Conexión de bi-amplificación	4Ω o superior		8Ω o superior
Conexión puentada	8Ω o superior		16Ω o superior*

\* Salvo modelos para EE. UU. y Canadá

### ⚠ ATENCIÓN

Antes de volver a activar la alimentación del componente fuente, baje primero el nivel de volumen de dicho componente.

# Conexiones de biamplificación



Para configurar un sistema estéreo de biamplificación, necesita dos unidades M-5000.

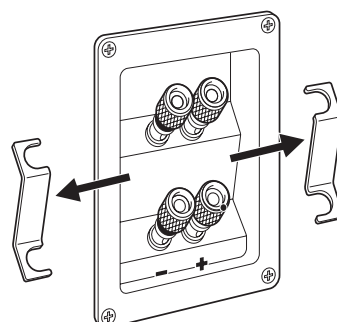
La unidad M-5000 presenta dos amplificadores integrados. Cada uno de ellos se conecta al potenciador de altavoz de frecuencias medias/altas (agudos) y al potenciador de frecuencias bajas (graves) en el altavoz del canal correspondiente. Debe utilizar altavoces que presenten dos juegos de terminales (un total de cuatro) y que permitan dividir cada altavoz en dos secciones (gamas de frecuencias bajas y frecuencias medias/altas). Los altavoces de biamplificación pueden evitar que la circulación inversa de la EMF (fuerza electromotriz) generada por los graves afecte a la señal, lo que en algunos casos mejora la calidad de sonido.

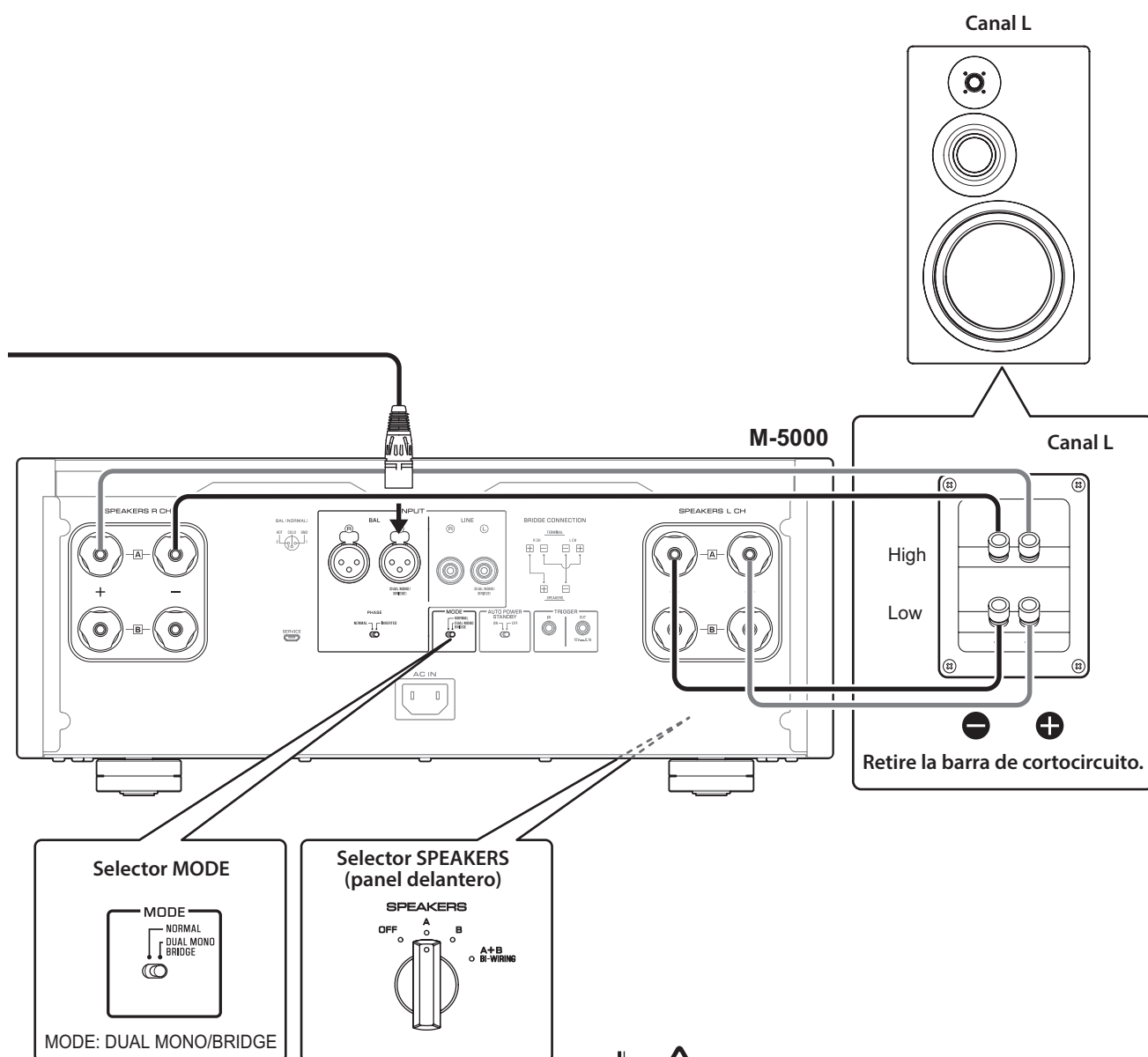
Conecte la fuente de entrada a los jacks de entrada del canal L en ambas unidades M-5000.

**1** Desactive la alimentación de la unidad y de todos los componentes conectados.

**2** Retire las barras o puentes de cortocircuito en los altavoces.

Las redes de cruce de LPF (filtro de paso bajo) y HPF (filtro de paso alto) se separarán.





**3** Establezca el selector MODE del panel trasero en DUAL MONO/BRIDGE.

**4** Establezca el selector SPEAKERS del panel delantero en A, B o A+B BI-WIRING.

En el diagrama se muestra el selector establecido en A.

**5** Conecte el amplificador de potencia (esta unidad) a los altavoces.

Para cada altavoz de canal, conecte los cables desde los terminales de gamas medias/altas del altavoz a los jacks A del amplificador para SPEAKERS R CH, y desde los terminales de gamas bajas del altavoz a los jacks A del amplificador para SPEAKERS L CH.

### **⚠ ATENCIÓN**

Asegúrese de utilizar altavoces que presenten la impedancia mostrada en la tabla siguiente.

Impedancia de los altavoces

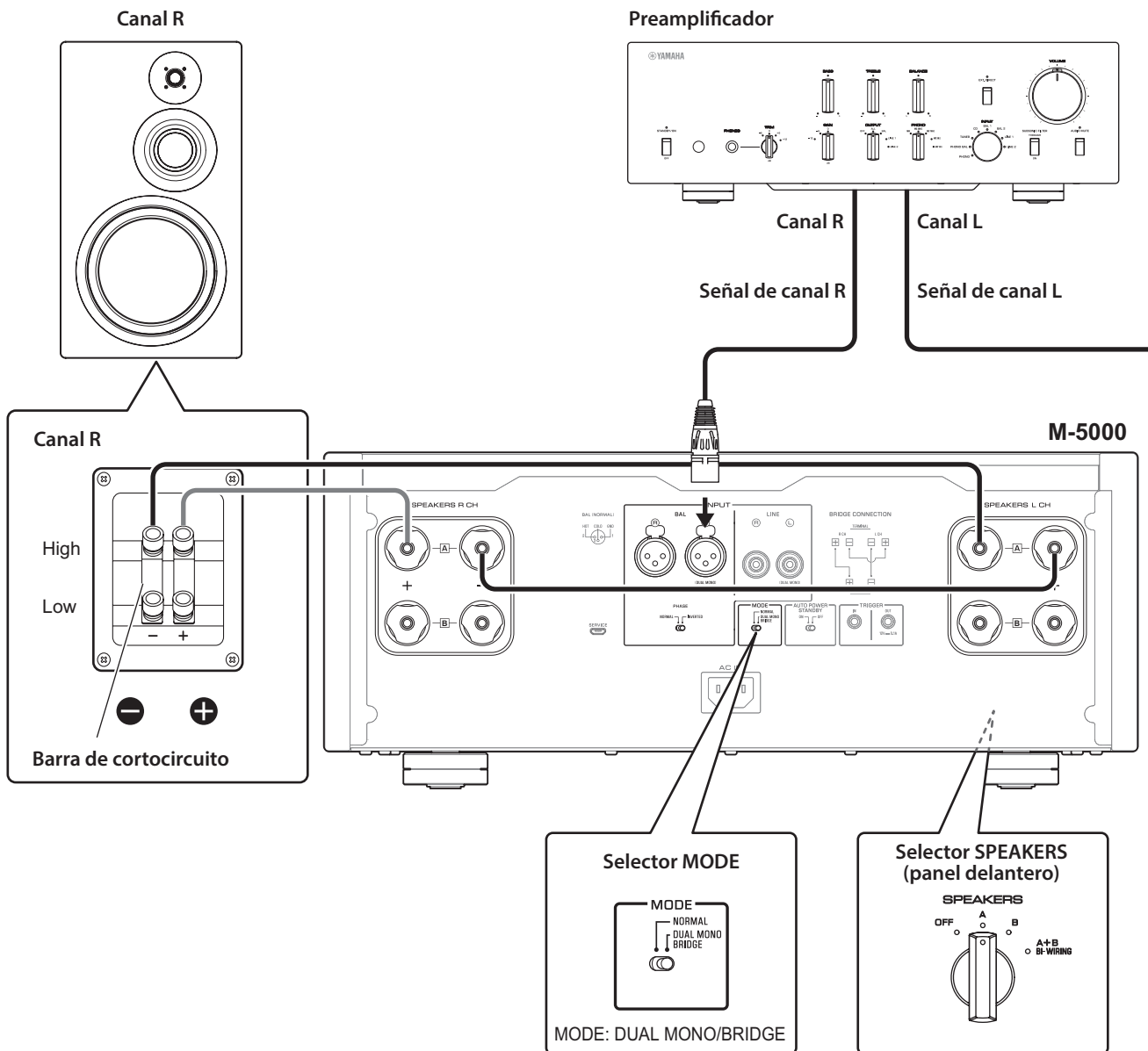
Selector SPEAKERS	A	B	A+B
Conexión básica/ conexión bicable	4Ω o superior		8Ω o superior
Conexión de bi-amplificación	4Ω o superior		8Ω o superior
Conexión puentada		8Ω o superior	16Ω o superior*

\* Salvo modelos para EE. UU. y Canadá

### **⚠ ATENCIÓN**

Antes de volver a activar la alimentación del componente fuente, baje primero el nivel de volumen de dicho componente.

# Conexión puenteada



En una configuración de conexión puenteada, la unidad M-5000 se utiliza como un amplificador monaural. Para crear un sistema estéreo, necesita dos unidades M-5000.

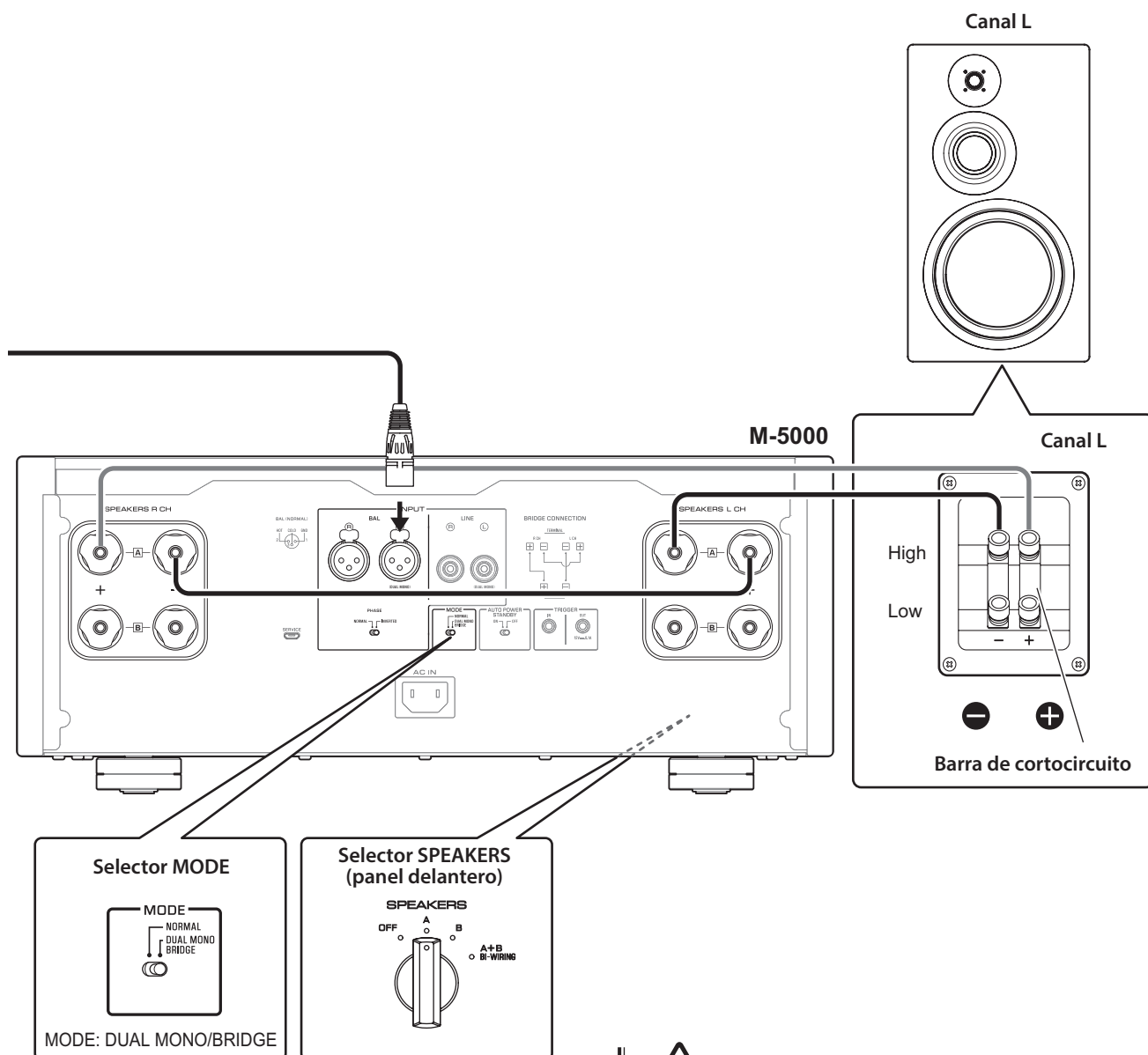
En cada amplificador, conecte el terminal “+” de SPEAKERS L CH al terminal “-” de SPEAKERS R CH. Para esta conexión, utilice un cable que presente el mismo material que los cables de los altavoces, una longitud de 1,0 m o menos y una sección transversal de 1,0 mm<sup>2</sup> o más. No ate el cable.

Conecte la fuente de entrada a los jacks de entrada del canal L en ambas unidades M-5000.

## AVISO

Dado que la amplificación se duplicará en esta configuración, ajuste el nivel de volumen según corresponda en el preamplificador conectado. Si utiliza un preamplificador Yamaha que incluye un selector GAIN, ajuste el nivel de volumen usando este selector para poder utilizar los controles de volumen de los demás componentes de la forma habitual.

- 1** Desactive la alimentación de la unidad y de todos los componentes conectados.
- 2** Establezca el selector MODE del panel trasero en DUAL MONO/BRIDGE.



### 3 Establezca el selector SPEAKERS del panel delantero en A, B o A+B BI-WIRING.

En el diagrama se muestra el selector establecido en A.

### 4 En cada amplificador, conecte el terminal "+" de SPEAKERS L CH al terminal "-" de SPEAKERS R CH.

### 5 Conecte el terminal "+" de SPEAKERS R CH al terminal "+" del altavoz, y el terminal "-" de SPEAKERS L CH al terminal "-" del altavoz.

## ⚠ ATENCIÓN

Asegúrese de utilizar altavoces que presenten la impedancia mostrada en la tabla siguiente.

#### Impedancia de los altavoces

Selector SPEAKERS	A	B	A+B
Conexión básica/ conexión bicable	4Ω o superior		8Ω o superior
Conexión de bi-amplificación	4Ω o superior		8Ω o superior
Conexión puentada	8Ω o superior		16Ω o superior*

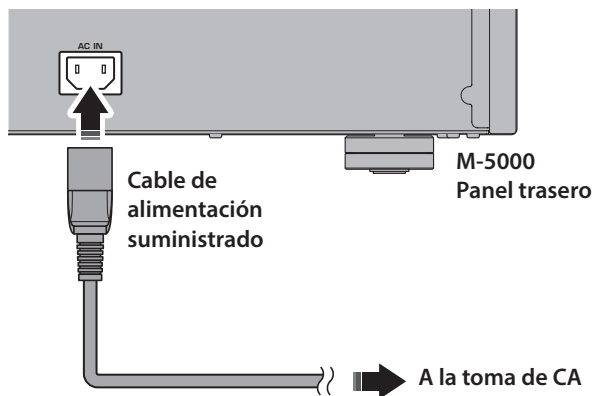
\* Salvo modelos para EE. UU. y Canadá

## ⚠ ATENCIÓN

Antes de volver a activar la alimentación del componente baje primero el nivel de volumen de dicho componente.

# Conexión del cable de alimentación

Una vez realizadas todas las conexiones, asegúrese de que el interruptor STANDBY/ON/OFF (alimentación) está desactivado y, a continuación, enchufe el cable de alimentación al conector AC IN de la unidad y luego enchúfelo a la toma de CA.



## ADVERTENCIA

- Si detecta cualquiera de las siguientes condiciones anómalas, desactive la alimentación de la unidad inmediatamente y desconecte el enchufe de alimentación de la toma de CA.
  - El cable o enchufe de alimentación está dañado.
  - La unidad emite olores, ruidos extraños o humo.
  - Se ha derramado líquido o han caído objetos dentro de la unidad.
  - El sonido se silencia de repente durante el funcionamiento.
  - La unidad está agrietada o dañada.

De lo contrario, el uso continuado de la unidad podría provocar una descarga eléctrica, un incendio o una avería. Póngase en contacto con su centro de servicio o distribuidor Yamaha más cercano para una revisión o una reparación.

- No toque el cable o enchufe de alimentación durante tormentas eléctricas. De lo contrario, se puede provocar una descarga eléctrica.
- Asegúrese de utilizar una toma de corriente con la tensión indicada en la etiqueta de la unidad. Si la unidad se enchufa a una toma con una tensión incorrecta, se puede producir un incendio, una descarga eléctrica o una avería.
- Utilice únicamente el cable de alimentación suministrado. No utilice el cable de alimentación suministrado para otros dispositivos.

De lo contrario, se puede provocar un incendio, fuego o una avería.

- Enchufe la unidad a una toma de CA claramente visible y que se pueda alcanzar con facilidad, para que pueda desenchufar la unidad con rapidez y facilidad de la toma de CA en caso de emergencia. Aunque el interruptor de alimentación esté desactivado, una cantidad mínima de corriente eléctrica sigue fluyendo hacia la unidad, a menos que la desenchufe de la toma de CA.
- Si se acerca una tormenta eléctrica, desactive la alimentación de la unidad inmediatamente y desconecte el enchufe de alimentación de la toma de CA. De lo contrario, se puede provocar un incendio o una avería.
- Si no va a utilizar la unidad durante un periodo prolongado, asegúrese de desenchufar el enchufe de alimentación de la toma de CA. De lo contrario, se puede provocar un incendio o una avería.



## ATENCIÓN

- No utilice una toma de CA si está tan floja que el enchufe no se sujeta con firmeza. De lo contrario, se puede provocar un incendio, una descarga eléctrica o fuego.
- Al desconectar el cable de alimentación de la toma de CA, sujete el enchufe; no tire del propio cable. De lo contrario, el cable de alimentación puede resultar dañado, lo que provocará una descarga eléctrica o un incendio.
- Inserte el enchufe de alimentación en la toma de CA firmemente hasta el fondo. Si el enchufe no se inserta completamente, el uso de la unidad puede provocar una descarga eléctrica. También se puede acumular polvo en el enchufe, lo que podría provocar un incendio o fuego.

## AVISO

Si no va a utilizar la unidad durante un periodo prolongado, asegúrese de desenchufar el enchufe de alimentación de la toma de CA. Aunque el interruptor STANDBY/ON/OFF (alimentación) esté desactivado (el indicador de alimentación está oscuro), una cantidad mínima de corriente eléctrica sigue fluyendo hacia la unidad.



---

# **Materiales de referencia**

---

**M-5000**

# Especificaciones generales

## Potencia de salida nominal

(de 20 Hz a 20 kHz, 0,07% THD)

Dirigida por 2 canales, 8Ω	100 W + 100 W
Dirigida por 2 canales, 4Ω	200 W + 200 W
Dirigida en monaural, 8Ω	400 W

## Potencia dinámica

8Ω	125 W + 125 W
6Ω	170 W + 170 W
4Ω	250 W + 250 W
2Ω	500 W + 500 W

## Potencia de salida máxima (1 kHz, 0,7% THD)

[Modelos para Reino Unido y Europa]

4Ω	220 W + 220 W
----	---------------

## Potencia de salida IEC (1 kHz, 0,02% THD)

[Modelos para Reino Unido y Europa]

8Ω	125 W + 125 W
----	---------------

## Potencia de salida efectiva máxima

(JEITA, 1 kHz, 10% THD)

[Modelos para China, Corea, Reino Unido, Asia, América Central y del Sur y Taiwán]

8Ω	135 W + 135 W
4Ω	270 W + 270 W

## Ancho de banda de potencia

(MAIN L/R, 0,1% THD, 45 W)

8Ω	De 10 Hz a 50 kHz
----	-------------------

## Factor de amortiguación (1 kHz)

8Ω	≥300
----	------

## Sensibilidad de entrada/impedancia de entrada

(1 kHz, 100 W/8Ω)

BAL	2,0 Vrms/47 kΩ
LINE	1,0 Vrms/47 kΩ

## Tensión de señal de entrada máxima (1 kHz, 0,5% THD)

BAL	2,20 Vrms
LINE	1,10 Vrms

## Respuesta de frecuencia

De 5 Hz a 100 kHz	+0/-3 dB
De 20 Hz a 20 kHz	+0/-0,3 dB

## Distorsión armónica total más ruido

(de 20 Hz a 20 kHz)

Dirigida por 2 canales, LINE a SPEAKERS, 50 W/8Ω	0,035%
Dirigida por 2 canales,	

BAL a SPEAKERS, 50 W/8Ω	0,035%
-------------------------	--------

Dirigida en monaural,

LINE a SPEAKERS, 200 W/8Ω	0,05%
---------------------------	-------

Dirigida en monaural,

BAL a SPEAKERS, 200 W/8Ω	0,05%
--------------------------	-------

## Separación de canales (Entrada de 1,0 kΩ terminada)

1 kHz/10 kHz	≥90 dB/≥70 dB
--------------	---------------

## Relación señal a ruido (red IHF-A, entrada de 1,0 kΩ en cortocircuito, nivel de referencia 200 W/4Ω)

	110 dB
--	--------

## Ruido residual (red IHF-A)

BAL	40 μVrms
LINE	50 μVrms

## Precisión de medidor

	Clase 2.5
--	-----------

## Alimentación

[Modelos para EE. UU. y Canadá]

	120 V CA, 60 Hz
--	-----------------

[Modelo para China]

	220 V CA, 50 Hz
--	-----------------

[Modelo para Corea]

	220 V CA, 60 Hz
--	-----------------

[Modelo para Australia]

	230-240 V CA, 50 Hz
--	---------------------

[Modelos para Reino Unido y Europa]

	230 V CA, 50 Hz
--	-----------------

[Modelo para Asia]

	220-240 V CA, 50 Hz/60 Hz
--	---------------------------

[Modelos para América Central y del Sur y Taiwán]

	110 V CA, 60 Hz
--	-----------------

## Consumo

	400 W
--	-------

## Consumo en espera

Modo desactivado	0,1 W
Modo de espera	0,2 W

## Consumo máximo (1 kHz, 4Ω 10% THD)

[Modelos para América Central y del Sur y Taiwán]	800 W
---	-------

## Dimensiones (An. × Al. × Prof.)

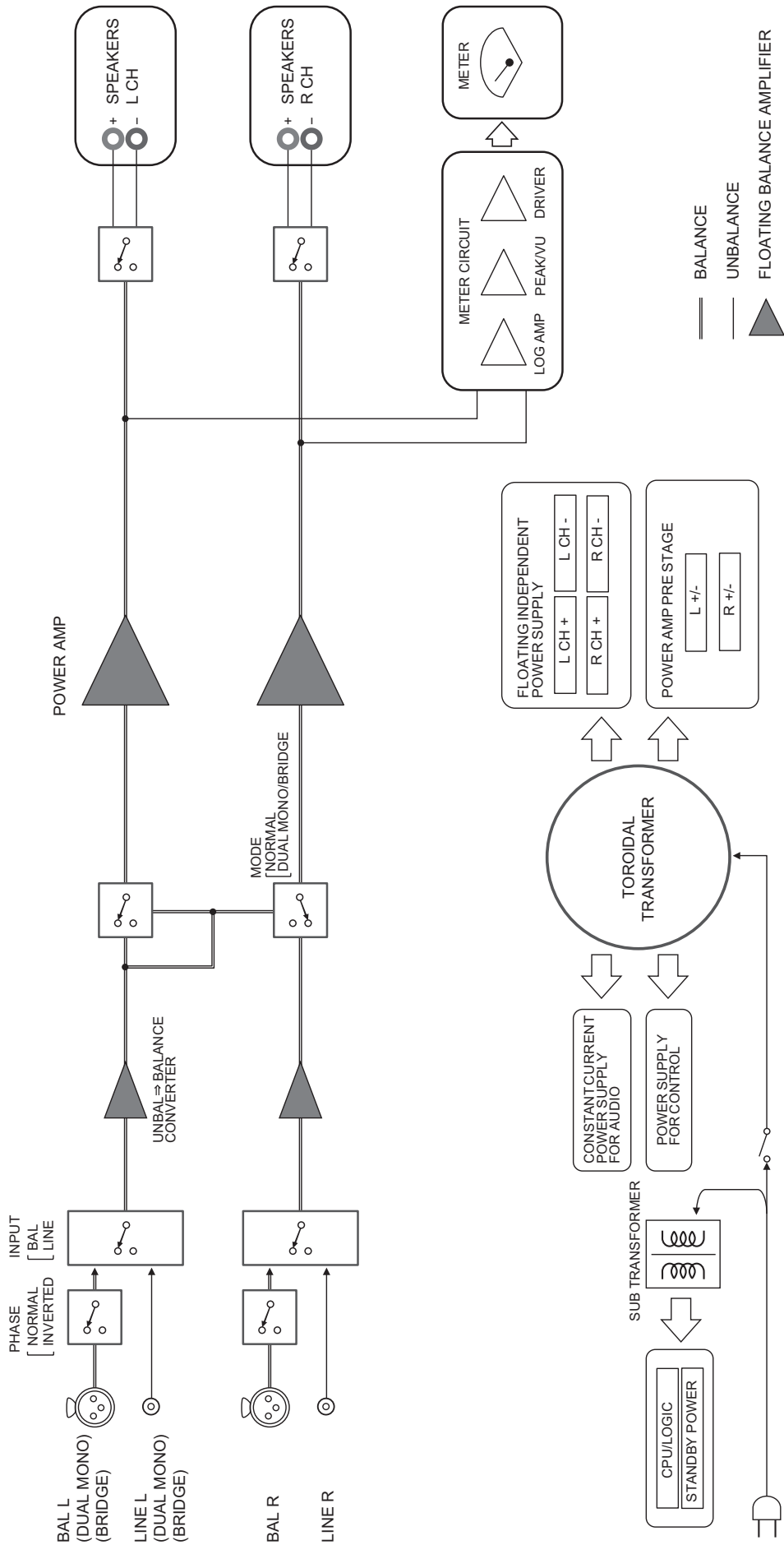
	435 × 180 × 464 mm
--	--------------------

## Peso

	26,9 kg
--	---------

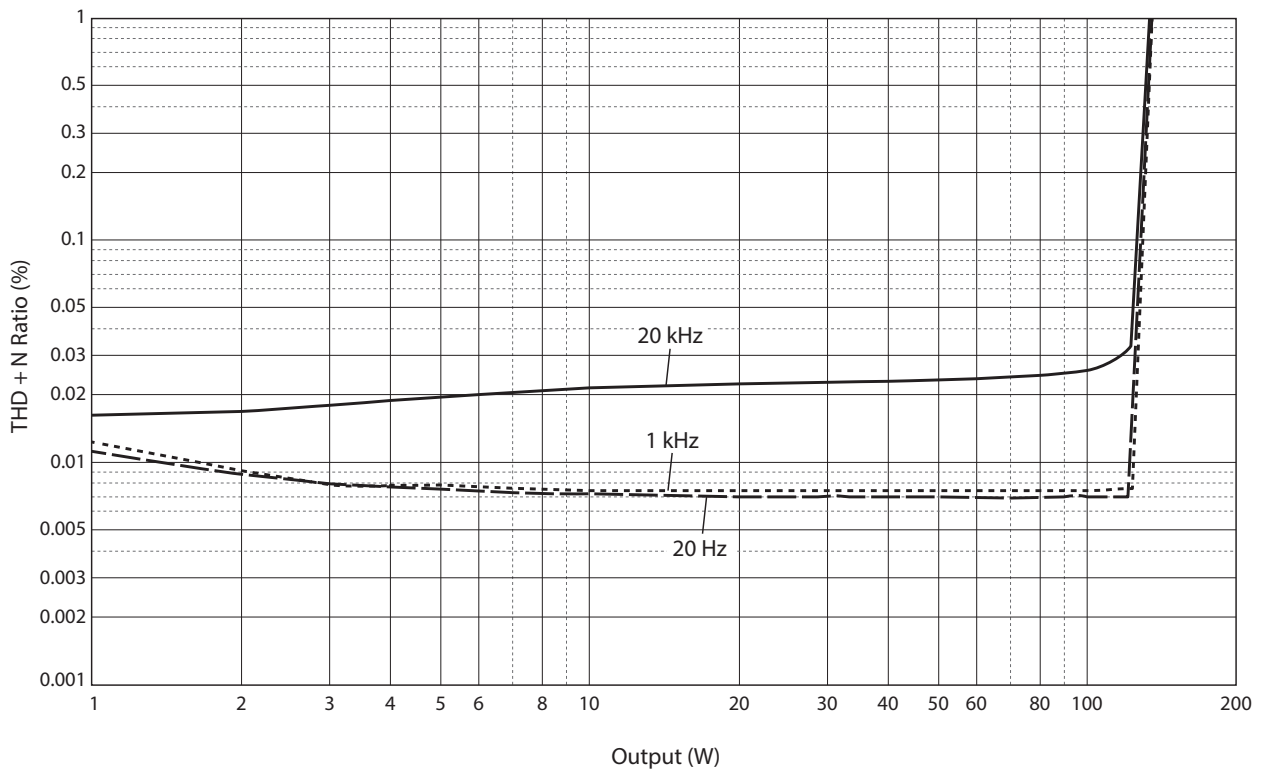
\* El contenido de este manual se aplica a las últimas especificaciones según la fecha de publicación. Para obtener el último manual, acceda al sitio web de Yamaha y descargue el archivo del manual.

# Diagrama en bloques

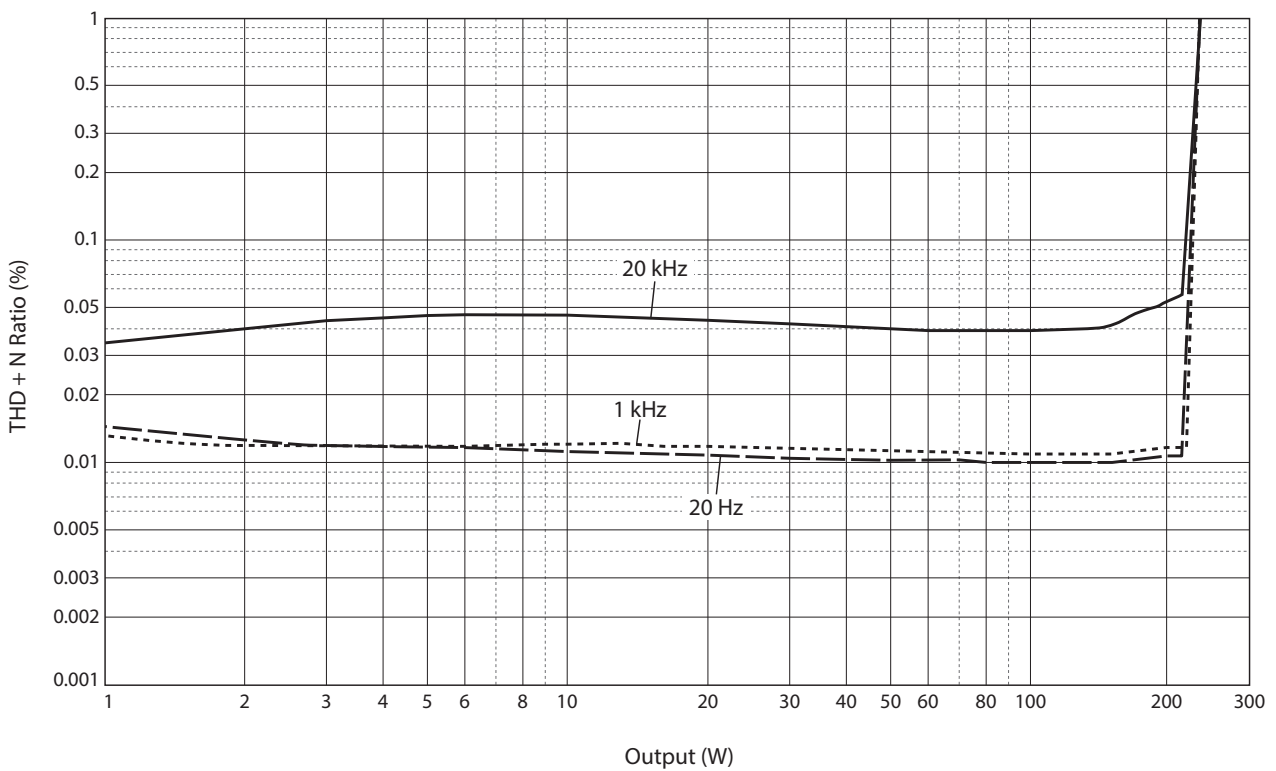


# Características de audio

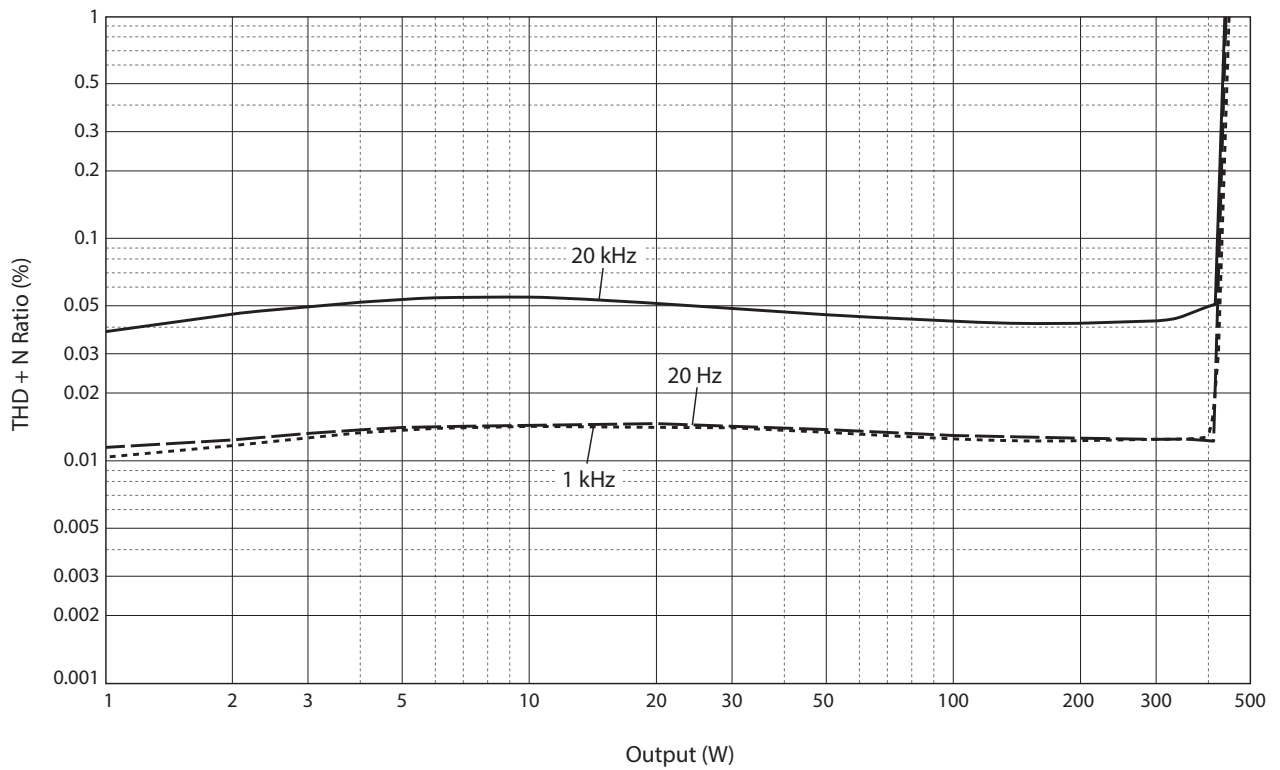
## Distorsión armónica total (8Ω)



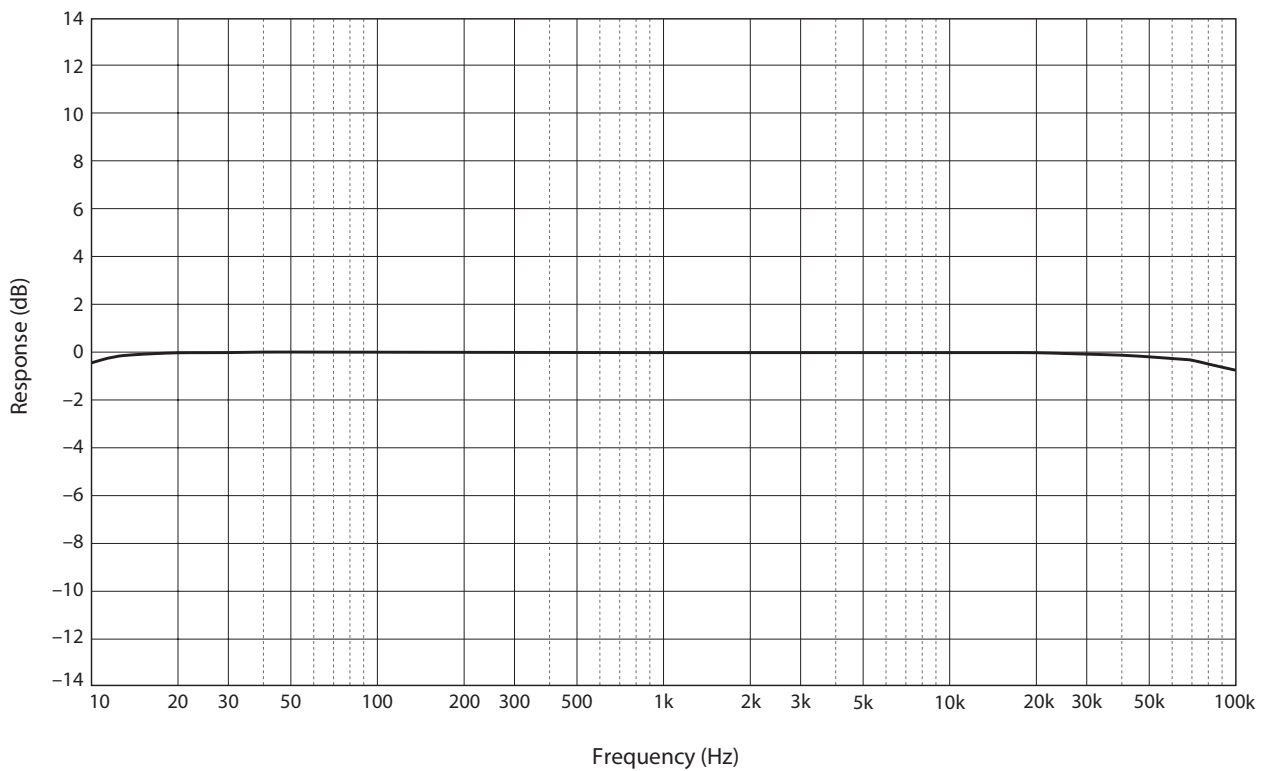
## Distorsión armónica total (4Ω)



## Distorsión armónica total (8Ω monoaural)



## Respuesta de frecuencia



# Resolución de problemas

Consulte la tabla siguiente si esta unidad no funciona bien. Si las instrucciones siguientes no ayudan a solucionar el problema, o si el problema no es uno de los que aparecen en la siguiente lista, apague la unidad, desconecte el cable de alimentación y póngase en contacto con el centro de servicio o distribuidor Yamaha autorizado más cercano.

Problema	Causa	Solución	Consulte la página
<b>La alimentación no se enciende.</b>	El cable de alimentación no está conectado al conector AC IN del panel trasero o no está enchufado a una toma de CA.	Conecte firmemente el cable de alimentación.	56
	El circuito de protección se ha activado debido a un cortocircuito, etc.	Asegúrese de que los cables de los altavoces no se toquen entre sí, o que no estén cortocircuitados al panel trasero de la unidad y luego vuelva a activar la alimentación de la unidad.	48
	La unidad ha sido expuesta a una descarga eléctrica externa intensa (rayo o electricidad estática intensa).	Apague la unidad, desconecte el cable de alimentación de la toma de CA, espere unos 30 segundos y luego vuelva a enchufar la unidad.	56
<b>El indicador STANDBY/ ON del panel delantero parpadea.</b>	El circuito de protección se ha activado debido a un cortocircuito, etc.	Asegúrese de que los cables de los altavoces no se toquen entre sí, o que no estén cortocircuitados al panel trasero de la unidad y luego vuelva a activar la alimentación de la unidad.	48
	Hay un problema con los circuitos internos de esta unidad.	Desconecte el cable de alimentación de la toma de CA y póngase en contacto con el centro de servicio o distribuidor Yamaha autorizado más cercano.	56
<b>La unidad se enciende pero no se oye sonido.</b>	El circuito de protección se ha activado debido a un cortocircuito, etc.	Asegúrese de que los cables de los altavoces no se toquen entre sí, o que no estén cortocircuitados al panel trasero de la unidad y luego vuelva a activar la alimentación de la unidad.	48
	El selector SPEAKERS está establecido en OFF.	Establezca el selector SPEAKERS en la posición adecuada.	38
	Los cables de los altavoces no están conectados correctamente.	Asegúrese de que los cables de los altavoces están conectados correctamente.	48
	El ajuste del selector INPUT no coincide con la fuente de entrada conectada.	Seleccione una fuente de entrada adecuada con el selector INPUT en el panel delantero.	44

Problema	Causa	Solución	Consulte la página
<b>El sonido se silencia repentinamente.</b>	El circuito de protección se ha activado debido a un cortocircuito, etc.	Asegúrese de que los cables de los altavoces no se toquen entre sí, o que no estén cortocircuitados al panel trasero de la unidad y luego vuelva a activar la alimentación de la unidad.	48
	Los altavoces no están conectados correctamente.	Asegúrese de que los altavoces están conectados correctamente. Si el problema persiste, es posible que los cables estén defectuosos.	48
<b>Faltan tonos graves y no hay sonido ambiental.</b>	Los cables + y – están conectados al revés al amplificador o a los altavoces.	Conecte los cables de los altavoces a la polaridad + y – correcta.	47
<b>Se oye un ruido de zumbido.</b>	Se están utilizando simultáneamente cables balanceados y no balanceados entre dos componentes.	No utilice cables balanceados y no balanceados simultáneamente entre dos componentes. Si lo hace se creará un bucle a tierra que podría generar estática y ruido.	44

---

---

# Índice

---

---

<b>A</b>		<b>T</b>	
Altavoces, Conexión .....	46	TRIGGER, Jack .....	45
AUTO POWER STANDBY, Interruptor .....	41		
<b>B</b>			
BAL, Jack de entrada .....	44		
<b>C</b>			
Cable de alimentación .....	56		
Cable de lengüeta en Y .....	49		
Cables de los altavoces, Conexión .....	48		
Conexión balanceada .....	42		
Conexión bicable .....	50		
Conexión de activación .....	45		
Conexión de biamplificación .....	52		
Conexión no balanceada .....	42		
Conexión puenteada .....	54		
<b>E</b>			
Encendido de la unidad .....	38		
<b>I</b>			
Indicador de alimentación .....	38		
INPUT, Selector .....	44		
Interruptor de alimentación .....	38		
<b>J</b>			
Jack de entrada balanceada .....	44		
<b>L</b>			
LINE, Jack de entrada .....	44		
<b>M</b>			
METER, Selector .....	39		
MODE, Selector .....	41		
<b>P</b>			
Patas .....	41		
PHASE, Selector .....	42		
Preamplificador, Conexión .....	44		
<b>S</b>			
SERVICE, Jack .....	41		
SPEAKERS, Selector .....	38		
STANDBY/ON/OFF, Indicador .....	38		
STANDBY/ON/OFF, Interruptor .....	38		









Yamaha Global Site  
<https://www.yamaha.com/>  
Yamaha Downloads  
<https://download.yamaha.com/>

© 2018 Yamaha Corporation  
Published 01/2024

IPKK-E0

YAMAHA CORPORATION

10-1 Nakazawa-cho, Chuo-ku, Hamamatsu, 430-8650 Japan



VGC8990