

Clavinova®

Owner's Manual
Mode d'emploi

CLP-885
CLP-875
CLP-845
CLP-835
CLP-895GP
CLP-865GP

Thank you for purchasing this Yamaha Digital Piano!

This instrument provides exceptionally high-quality sound and expressive control for your playing enjoyment. In order to make the most of your Clavinova's performance potential and features, please read this Owner's Manual thoroughly, and keep it in a safe place for later reference.

Before using the instrument, be sure to read "PRECAUTIONS" on pages 4–5.

For information on assembling the instrument, refer to the instructions on page 63.

Merci d'avoir choisi ce piano numérique de Yamaha !

Cet instrument offre une qualité de son et une expressivité exceptionnelles pour votre plus grand plaisir. Afin d'exploiter votre Clavinova au maximum de ses performances et de ses fonctions, lisez entièrement ce mode d'emploi et conservez-le afin de pouvoir le consulter ultérieurement.

Avant d'utiliser l'instrument, lisez attentivement la section « PRÉCAUTIONS D'USAGE » aux pages 4 et 5.

Pour plus d'informations sur l'assemblage de l'instrument, reportez-vous aux instructions figurant à la page 63.

FCC INFORMATION (U.S.A.)

1. IMPORTANT NOTICE: DO NOT MODIFY THIS UNIT!

This product, when installed as indicated in the instructions contained in this manual, meets FCC requirements. Modifications not expressly approved by Yamaha may void your authority, granted by the FCC, to use the product.

2. IMPORTANT: When connecting this product to accessories and/or another product use only high quality shielded cables. Cable/s supplied with this product MUST be used. Follow all installation instructions. Failure to follow instructions could void your FCC authorization to use this product in the USA.

3. NOTE: This product has been tested and found to comply with the requirements listed in FCC Regulations, Part 15 for Class "B" digital devices. Compliance with these requirements provides a reasonable level of assurance that your use of this product in a residential environment will not result in harmful interference with other electronic devices. This equipment generates/uses radio frequencies and, if not installed and used according to the instructions found in the users manual, may cause interference harmful to the operation of other electronic devices. Compliance with FCC regulations does not guarantee that interference will not occur in all installations. If this product is found to be the source of interference, which can be determined by turning the unit "OFF" and "ON", please try to eliminate the problem by using one of the following measures:

- Relocate either this product or the device that is being affected by the interference.
- Utilize power outlets that are on different branch (circuit breaker or fuse) circuits or install AC line filter/s.
- In the case of radio or TV interference, relocate/reorient the antenna. If the antenna lead-in is 300 ohm ribbon lead, change the lead-in to co-axial type cable.

If these corrective measures do not produce satisfactory results, please contact the local retailer authorized to distribute this type of product. If you cannot locate the appropriate retailer, please contact Yamaha Corporation of America, 6600 Orangethorpe Avenue, Buena Park, CA 90620, U.S.A.

The above statements apply ONLY to those products distributed by Yamaha Corporation of America or its subsidiaries.

(529-M04 FCC class B YCA 02)

COMPLIANCE INFORMATION STATEMENT (Supplier's declaration of conformity procedure)

Responsible Party: Yamaha Corporation of America

Address: 6600 Orangethorpe Avenue, Buena Park, CA 90620, U.S.A.

Telephone: 714-522-9011

Type of Equipment: Digital Piano

Model Name: CLP-885, CLP-875, CLP-845, CLP-835, CLP-895GP, CLP-865GP

This device complies with Part 15 of the FCC Rules.

Operation is subject to the following two conditions:

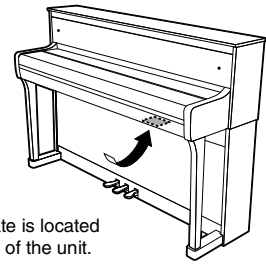
- 1) this device may not cause harmful interference, and
- 2) this device must accept any interference received, including interference that may cause undesired operation.

(529-M02 FCC sdoc YCA 02)

The model number, serial number, power requirements, etc., may be found on or near the name plate, which is at the bottom of the unit. You should note this serial number in the space provided below and retain this manual as a permanent record of your purchase to aid identification in the event of theft.

Model No.

Serial No.



The name plate is located on the bottom of the unit.

(1003-M06 plate bottom en 01)

Information for users on collection and disposal of old equipment:



This symbol on the products, packaging, and/or accompanying documents means that used electrical and electronic products should not be mixed with general household waste. For proper treatment, recovery and recycling of old products, please take them to applicable collection points, in accordance with your national legislation.

By disposing of these products correctly, you will help to save valuable resources and prevent any potential negative effects on human health and the environment which could otherwise arise from inappropriate waste handling.

For more information about collection and recycling of old products, please contact your local municipality, your waste disposal service or the point of sale where you purchased the items.

For business users in the European Union:

If you wish to discard electrical and electronic equipment, please contact your dealer or supplier for further information.

Information on Disposal in other Countries outside the European Union:

This symbol is only valid in the European Union. If you wish to discard these items, please contact your local authorities or dealer and ask for the correct method of disposal.

(58-M02 WEEE en 01)

PRECAUTIONS

PLEASE READ CAREFULLY BEFORE PROCEEDING

Especially in the case of children, a guardian should provide guidance on how to properly use and handle the product before actual use.

Please keep this manual in a safe and handy place for future reference.



WARNING

Always follow the basic precautions listed below to avoid the possibility of serious injury or even death from electrical shock, short-circuiting, damages, fire or other hazards. These precautions include, but are not limited to, the following:

Power supply

- Do not place the power cord near heat sources such as heaters or radiators. Also, do not excessively bend or otherwise damage the cord, or place heavy objects on it.
- Do not touch the product or the power plug during an electrical storm.
- Use only the correct voltage specified for the product. The required voltage is printed on the name plate of the product.
- Use only the supplied or the specified AC adaptor (pages 79, 82)/power cord. Do not use the AC adaptor/power cord for other devices.
- Check the power plug periodically and remove any dirt or dust which may have accumulated on it.
- Insert the power plug firmly all the way into the AC outlet. Using the product when it is not plugged in sufficiently can cause dust to accumulate on the plug, possibly resulting in fire or skin burns.
- When setting up the product, make sure that the AC outlet you are using is easily accessible. If some trouble or malfunction occurs, immediately turn off the power switch and disconnect the plug from the outlet. Even when the power switch is turned off, as long as the power cord is not unplugged from the wall AC outlet, the product will not be disconnected from the power source.
- Do not connect the product to an electrical outlet using a multi-plug outlet extender. Doing so can result in lower sound quality, or possibly cause overheating in the outlet.
- When disconnecting the power plug, always hold the plug itself and not the cord. Pulling by the cord can damage it and cause electric shocks or a fire.
- If not using the product for long periods of time, be sure to pull the power plug from the AC outlet.

Do not disassemble

- This product contains no user-serviceable parts. Do not attempt to disassemble the internal parts or modify them in any way.

Water warning

- Do not expose the product to rain, use it near water or in damp or wet conditions, or place on it any containers (such as vases, bottles or glasses) containing liquids which might spill into any openings or places where water may drop. A liquid such as water getting into the product may cause a fire, electric shocks, or malfunctions.
- Use the AC adaptor indoors only. Do not use in any wet environments.
- Never insert or remove a power plug with wet hands.

Fire warning

- Do not place any burning items or open flames near the product, since they may cause a fire.

Wireless unit

- Radio waves from this product may affect electro-medical devices, such as a heart pacemaker implant or defibrillator implant.
 - Do not use the product near medical devices or inside medical facilities. Radio waves from this product may affect electro-medical devices.
 - Do not use the product within 15 cm (6 in.) of persons with a heart pacemaker implant or a defibrillator implant.

Connections

- Be sure to read the manual of the device to be connected, and follow the instructions. Failure to observe this may cause a fire, overheating, explosion, or malfunction.

Using the bench (if included)

- Do not place the bench in an unstable position where it might accidentally fall over.
- Do not play carelessly with or stand on the bench. Using it as a tool or stepladder or for any other purpose might result in accident or injury.
- Only one person should sit on the bench at a time, in order to prevent the possibility of accident or injury.
- If the bench screws become loose due to extensive long-term use, tighten them periodically using the specified tool in order to prevent the possibility of accident or injury.
- Keep special watch over any small children so that they don't fall off the rear of the bench. Since the bench does not have a backrest, unsupervised use may result in accident or injury.

If you notice any abnormality

- If any of the following problems occur, immediately turn off the power switch and disconnect the power plug from the outlet.
Finally have the device inspected by Yamaha service personnel.
 - The power cord or plug becomes frayed or damaged.
 - Unusual smells or smoke are emitted.
 - Some object, or water has been dropped into the product.
 - There is a sudden loss of sound during use of the product.
 - Cracks or other visible damage appear on the product.



CAUTION

Always follow the basic precautions listed below to avoid the possibility of physical injury to you or others, or damage to the product or other property. These precautions include, but are not limited to, the following:

Assembly

- Assemble the product in the proper sequence by following the assembly instructions in this manual. Also, make sure to tighten the screws regularly. Failure to do so might result in damage to the product or even injury.

Location

- Do not place the product in an unstable position or a location with excessive vibration, where it might accidentally fall over and cause injury.
- Do not go near the product during an earthquake. Strong shaking during an earthquake could cause the product to move or tip over, resulting in damage to the product or its parts, and possibly causing injury.
- (CLP-885, CLP-875, CLP-845, CLP-835) When transporting or moving the product, always use two or more people. Attempting to lift the product by yourself may result in injuries, such as back injuries, or cause the product to be dropped and broken, which could lead to other injuries.
- (CLP-895GP, CLP-865GP) Since this product is very heavy, make sure that a sufficient number of people are on hand to help, so you can lift and move it safely and easily. Attempting to lift or move the instrument by force may damage your back, result in other injury, or cause damage to the instrument itself.
- Before moving the product, remove all connected cables, to prevent damage to the cables or injury to anyone who might trip over them.

Connections

- Before connecting the product to other devices, turn off the power for all devices. Before turning the power on or off for all devices, set all volume levels to minimum.

- Be sure to set the volumes of all devices at their minimum levels and gradually raise the volume controls while playing the product to set the desired listening level.

Handling

- Do not insert your finger or hand in any gaps on the key cover or product. Also take care that the key cover does not pinch your finger.
- Do not insert foreign materials such as metal or paper into any openings or gaps of the product. Failure to observe this may cause a fire, electric shocks, or malfunctions.
- (CLP-885) Do not apply excessive force when closing the key cover. A key cover equipped with the SOFT-CLOSE™ mechanism closes the cover slowly. Applying excessive force to the key cover when closing it could damage the SOFT-CLOSE™ mechanism, and possibly result in injury to your hands and fingers caught under the closing key cover.
- Do not rest your weight on, or place heavy objects on the product, and do not use excessive force on the buttons, switches or connectors.
- Keep small parts out of the reach of infants. Your children may accidentally swallow them.
- Do not use the product or headphones for a long period of time at a high or uncomfortable volume level, since this can cause permanent hearing loss. If you experience any hearing loss or ringing in the ears, consult a physician.
- Remove the power plug from the AC outlet before cleaning the unit. Failure to observe this may cause electric shocks.

Using the bench (if included)

- For benches that can be adjusted, do not adjust the bench height while sitting on the bench, since this can cause excessive force applied to the adjustment mechanism, possibly resulting in damage to the mechanism or even injury.
- Do not place your hand between moving parts. Otherwise, your hand could be pinched between the parts, possibly resulting in injury.

Yamaha cannot be held responsible for damage caused by improper use or modifications to the product, or data that is lost or destroyed.

Always turn the power off when the instrument is not in use.

Even when the [⏻] (Standby/On) switch is in standby status (power lamp is off), electricity is still flowing to the product at the minimum level.

When you are not using the product for a long time, make sure you unplug the power cord from the wall AC outlet.

(DMI-11)

NOTICE

To avoid the possibility of malfunction/damage to the product, damage to data, or damage to other property, follow the notices below.

■ Handling

- Do not connect this product to a public Wi-Fi and/or Internet service directly. Only connect this product to the Internet through a router with strong password protections. Consult your router manufacturer for information on optimum security practices.
- Do not use this product in the vicinity of a TV, radio, stereo equipment, mobile phone, or other electric devices. Otherwise, this product or the other device may generate noise.
- When you use the product along with an app on your smart device, such as a smartphone or tablet, we recommend that you enable “Airplane Mode” on the device to avoid noise caused by communication. When wirelessly connecting a smart device with this product, make sure that the Wi-Fi or **Bluetooth®** setting on the device is turned on.
- Do not expose the product to excessive dust or vibrations, or extreme cold or heat (such as in direct sunlight, near a heater, or in a car during the day) to prevent the possibility of disfiguration, damage to the internal components or unstable operation. (Verified operating temperature range: 5° – 40°C, or 41° – 104°F.)
- Do not place vinyl, plastic or rubber objects on the product, since this might discolor the product.
- In the case of a model with a polished finish, bumping the surface of the product with metal, porcelain, or other hard objects can cause the finish to crack or peel. Use caution.

■ Maintenance

- When cleaning the product, use a soft and dry (or slightly damp) cloth. Do not use paint thinners, solvents, alcohol, cleaning fluids, or chemical-impregnated wiping cloths.
- In the case of a model with a polished finish, gently remove dust and dirt with a soft cloth. Do not wipe too hard since small particles of dirt can scratch the instrument’s finish.
- During extreme changes in temperature or humidity, condensation may occur and water may collect on the surface of the product. If water is left, the wooden parts may absorb the water and be damaged. Make sure to wipe any water off immediately with a soft cloth.

■ Saving data

- A recorded Song is lost when you turn off the power to the product without saving the data. This also occurs when the power is turned off by the Auto Power Off function (page 17). Save the data to the product, or to a USB flash drive (page 38).
- Some of the setting data of this product are retained when the power is turned off. You can back up the settings to the USB flash drive as a backup file, as well as restore it to the product. For details, refer to the Reference Manual.
- The data saved to the product may be lost due to some failure, an operational mistake, etc. Save your important data onto a USB flash drive or an external device such as a computer.
- Before using a USB flash drive, make sure to refer to page 49. To protect against data loss through USB flash drive damage, we recommend that you save your important data onto spare USB flash drive or an external device such as a computer as backup data.

■ Using the USB [TO DEVICE] terminal

- Compatible USB devices for the USB [TO DEVICE] terminal of this product are a USB flash drive or a USB wireless LAN adaptor (UD-WL01; sold separately) only. Other USB devices such as a USB hub or smart device cannot be used. When connecting a USB device, make sure that the connector on the device is appropriate and that it is connected in the proper direction. Do not use an extension cable when connecting a USB device. For a list of the compatible USB devices, access the Yamaha website below:
<https://download.yamaha.com/>
- The rating of the USB [TO DEVICE] terminal is a maximum of 5 V/500 mA. Do not connect USB devices having a rating above this, since this can cause damage to the instrument itself.
- Avoid connecting or disconnecting the USB device while executing playback/recording and file management operations (such as Save, Copy and Delete), or when accessing the USB device. Failure to observe this may result in “freezing” of the operation of the instrument or corruption of the USB device and the data.

Information

■ About copyrights

- The copyright of the “content”^{*1} installed in this product belongs to Yamaha Corporation or its copyright holder. Except as permitted by copyright laws and other relevant laws, such as copying for personal use, it is prohibited to “reproduce or divert”^{*2} without the permission of the copyright holder. When using the content, consult with a copyright expert.

If you create music or perform with the contents through the original use of the product, and then record and distribute them, the permission of Yamaha Corporation is not required regardless of whether the distribution method is paid or free of charge.

*1: The word “content” includes a computer program, audio data, Accompaniment Style data, MIDI data, waveform data, voice recording data, music score, and score data, etc.

*2: The phrase “reproduce or divert” includes taking out the content itself in this product, or recording and distributing it without changes in a similar manner.

■ About functions/data bundled with the product

- Some of the preset Songs have been edited for length or arrangement, and may not be exactly the same as the original.
- (CLP-885/CLP-895GP) This product is capable of using various types/formats of music data by optimizing them to the proper format music data for use with the device in advance. As a result, this device may not play them back precisely as their producers or composers originally intended.
- The bitmap fonts used in this product have been provided by and are the property of Ricoh Co., Ltd.

■ About open source software

- The firmware of this product contains open source software. For copyright information and terms of use for each open source software, access the Yamaha website below:

Yamaha Downloads: <https://download.yamaha.com/>

■ About this manual

- The illustrations and LCD screens as shown in this manual are for instructional purposes only.
- Windows is a registered trademark of Microsoft® Corporation in the United States and other countries.
- Wi-Fi is a registered trademark of Wi-Fi Alliance®.
- The **Bluetooth®** word mark and logos are registered trademarks owned by Bluetooth SIG, Inc. and any use of such marks by Yamaha Corporation is under license.



- The company names and product names in this manual are the trademarks or registered trademarks of their respective companies.

■ Tuning

- Unlike an acoustic piano, this instrument does not need to be tuned by an expert (although the pitch can be user-adjusted to match other instruments). This is because the pitch of digital instruments is always maintained perfectly.

■ About disposal

- When disposing of this product, please contact the appropriate local authorities.

■ About Bluetooth®

Bluetooth is a technology for wireless communication between devices within an area of about 10 meters (33 ft.) employing the 2.4 GHz frequency band.

• Handling Bluetooth communications

- The 2.4 GHz band used by Bluetooth compatible devices is a radio band shared by many types of equipment. While Bluetooth compatible devices use a technology minimizing the influence of other components using the same radio band, such influence may reduce the speed or distance of communications and in some cases interrupt communications.
- The speed of signal transfer and the distance at which communication is possible differs according to the distance between the communicating devices, the presence of obstacles, radio wave conditions and the type of equipment.
- Yamaha does not guarantee all wireless connections between this unit and devices compatible with Bluetooth function.

When moving and placing the instrument

Move the instrument horizontally. Do not subject the instrument to excessive vibration or shock. Since it is very heavy, make sure that a sufficient number of people are on hand to help, so you can lift and move it safely and easily. After moving the instrument, make sure all screws are properly tightened and have not been loosened. If you move to another location, you can transport the instrument along with other belongings. You can move the unit as it is (assembled) or you can disassemble the unit down to the condition it was in when you first took it out of the box.

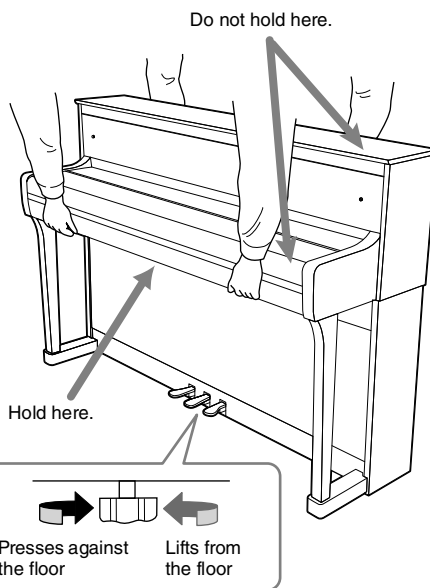


CAUTION

When moving the instrument, always hold the bottom of the main unit. Holding another portion of the instrument can result in it being damaged or causing personal injury.

NOTICE

Before moving the instrument, rotate the adjuster under the pedal until it separates from the floor surface. Failure to do so may damage the floor surface.



NOTE

(CLP-885/CLP-875 only) Place the instrument away from the wall by at least 10 cm to optimize and enhance the sound effect.

The CLP-885 and CLP-895GP are compatible with the following formats.



GM System Level 2

“GM (General MIDI)” is one of the most common Voice allocation formats. “GM System Level 2” is a standard specification that enhances the original “GM” and improves Song data compatibility. It provides for increased polyphony, greater Voice selection, expanded Voice parameters, and integrated effect processing.



XG

XG is a major enhancement of the GM System Level 1 format, and was developed by Yamaha specifically to provide more Voices and variations, as well as greater expressive control over Voices and effects, and to ensure compatibility of data well into the future.



GS

GS was developed by the Roland Corporation. In the same way as Yamaha XG, GS is a major enhancement of the GM specifically to provide more Voices and Drum kits and their variations, as well as greater expressive control over Voices and effects.

Contents

PRECAUTIONS	4
NOTICE	6
Information	7
About the Manuals	10
Included Accessories	10
What You Can Do with Your CLP	11
Panel Controls and Terminals	12
Starting Up	14
Opening/Closing the key cover	14
Using the music rest	15
Opening/Closing the Lid (CLP-895GP/CLP-865GP only)	15
Power supply	16
Turning the power on or off	17
Adjusting the Master Volume	18
Using headphones	18
Using the pedals	19
Basic Operations	20
Control Panel	20
Initializing the settings	22
Enjoy Playing the Piano	23
Customizing the sound and the Touch Sensitivity of piano Voices (Piano Room)	23
Using the metronome	25
Playing with Various Sounds (Voices) ...	26
Combining Voices for playing (Dual/Split)	27
Playing the Keyboard along with Rhythm Playback	29
Playing back Songs such as Preset Songs and Recorded Songs	30
Fast forward/Rewind/Returning to the Song beginning	32
Adjusting the tempo/speed	33
Using repeat playback	33
Practicing a one-hand part along with Song playback (MIDI Songs only)	35
Other useful Song playback functions	36
Recording Your Performance	37
Recording to the instrument (MIDI recording) ...	37
Recording to a USB flash drive (MIDI recording/ Audio recording)	39
Recording the right- and left-hand parts independently (MIDI recording)	40
Deleting the recorded Songs	42
Connecting to Other Devices	43
Listening to audio player playback through the instrument's speakers	43
Using the convenient Smart Pianist app	46
Interfacing with a Computer	48
Connecting a USB flash drive	49
Outputting the instrument sound to external speakers	50
Making Various Settings in the Menu Display	51
Appendix	52
Voice List	52
Rhythm List	56
Song List	57
Message List	58
Troubleshooting	61
Assembling the Clavinova	63
Specifications	78
Index	83

About the Manuals

This instrument has the following documents and instructional materials.





Supplied with the instrument

- **Owner's Manual (this book)**

Explains the basic operations and functions of this instrument. Please read this manual first.

Rules for the notes

 WARNING	Important information to avoid the possibility of serious injury or even death from electrical shock, short-circuiting, damages, fire or other hazards.
 CAUTION	Important information to avoid the possibility of physical injury to you or others, or damage to the instrument or other property.
NOTICE	Important information to avoid the possibility of malfunction/ damage to the product, damage to data, or damage to other property.
NOTE	Helpful information and tips.



Available on the website

- **Reference Manual**

Explains various settings and functions controlled from the Menu (page 51). Please read this manual after reading the Owner's Manual.

- **Data List**

Contains MIDI-related information of the instrument, as well as lists of XG Voices and XG Drum Kits that can be selected on the CLP-885 and CLP-895GP.

- **Smart Pianist User Guide**

Explains how to set up and use the smart device app "Smart Pianist" (page 46) for controlling this instrument.



To obtain these manuals, access the website below:

Yamaha Downloads

<https://download.yamaha.com/>

* Enter the model name for searching the desired manuals.

Included Accessories

- Owner's Manual (this book)
- "50 Classical Music Masterpieces" (Music Book)
- Online Member Product Registration
- Bench*
- Power cord*, AC adaptor*

* May not be included depending on your area. Check with your Yamaha dealer.

What You Can Do with Your CLP



Variety of Voices to complement your music

▶▶ page 26

This instrument features piano sounds created with samples of Yamaha's flagship CFX concert grand piano and the famed Vienna-made Bösendorfer grand piano. Along with these two gorgeous piano sounds, a variety of other Voices such as piano, organ and strings are provided—allowing you to select the instrument sound that best matches the music you want to play. You can also layer two Voices, or play different Voices in the right and left areas of the keyboard.

* Bösendorfer is a subsidiary company of Yamaha.



Helpful practice aids with Song data

▶▶ page 30

A variety of well-known classic Songs and lesson Songs including "The Virtuoso Pianist" are pre-installed to the instrument, and help you to practice efficiently. You can simply enjoy listening to these Songs, or play back only the left-hand part (or right-hand part) and practice each part individually. The playback tempo or speed can be adjusted as you like, so you can start in a slow tempo at first and increase it as you master the piece. Compatible commercially available Songs can also be used on this instrument.



Recording and playing back your performances

▶▶ page 37

The instrument lets you record your performance to internal memory or a USB flash drive. Listening back to your recordings helps immensely in improving your performance. This instrument also allows you to record multiple parts independently and save as one Song. This may also help you to practice; for example, record the right-hand part first and then record the left-hand while listening to the already recorded right-hand part. Songs recorded with this method can be played back with independent parts—an effective tool for children's one-hand practice by independently recording the right- and left-hand parts of the parent's performance.



Enjoy playing along with Rhythms

▶▶ page 29

A variety of rhythm patterns (drums and bass accompaniment) in various genres such as pop and jazz are provided, letting you enjoy playing the piano along with dynamic Rhythm playback. The accompaniment bass sound automatically changes based on your performance and make it dynamic and professional sounding.



Listen to music through the built-in speakers (Bluetooth Audio) ▶▶ page 43

By connecting a Bluetooth-equipped audio player such as smartphone via Bluetooth, you can listen to music played back on the connected audio player through this instrument's speakers.



Get more fun out of your piano with Smart Pianist app

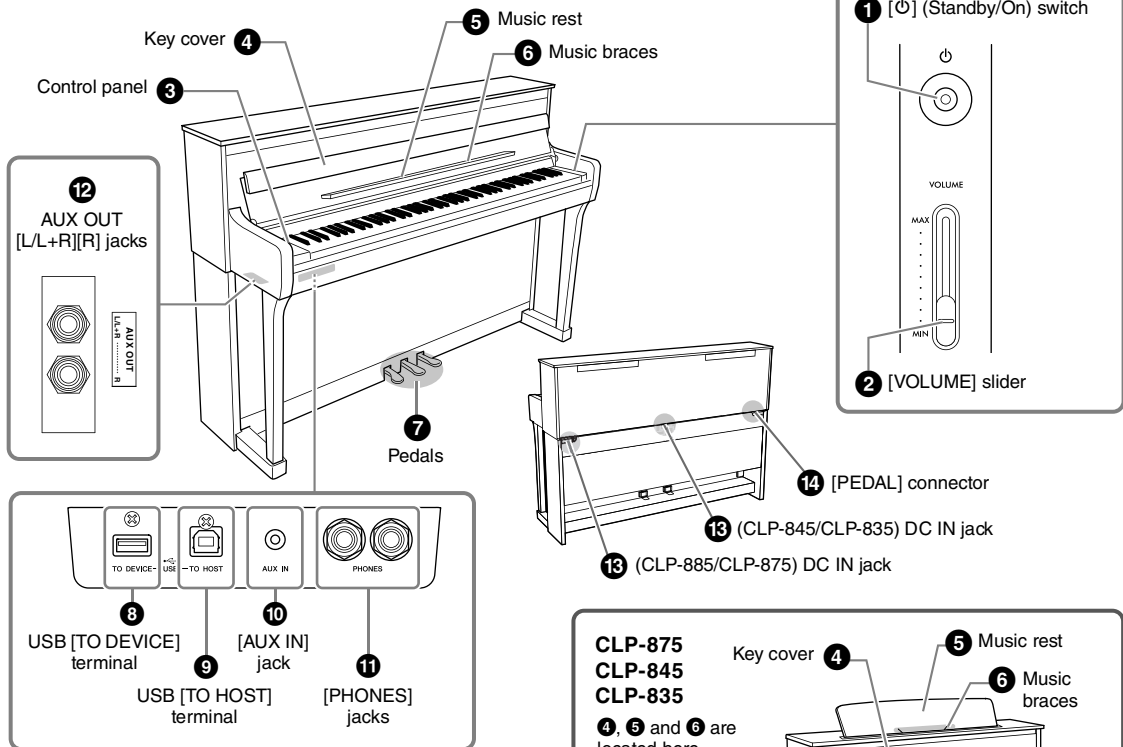
▶▶ page 46

By installing the Smart Pianist app to your smart device such as a smartphone or tablet, you can connect the instrument to the device and take more advantage of this instrument. The easy-to-understand display helps you to control the instrument while checking the status of the settings. You can play the instrument while viewing the music score on the device, and record your performances to the device, etc.

Panel Controls and Terminals

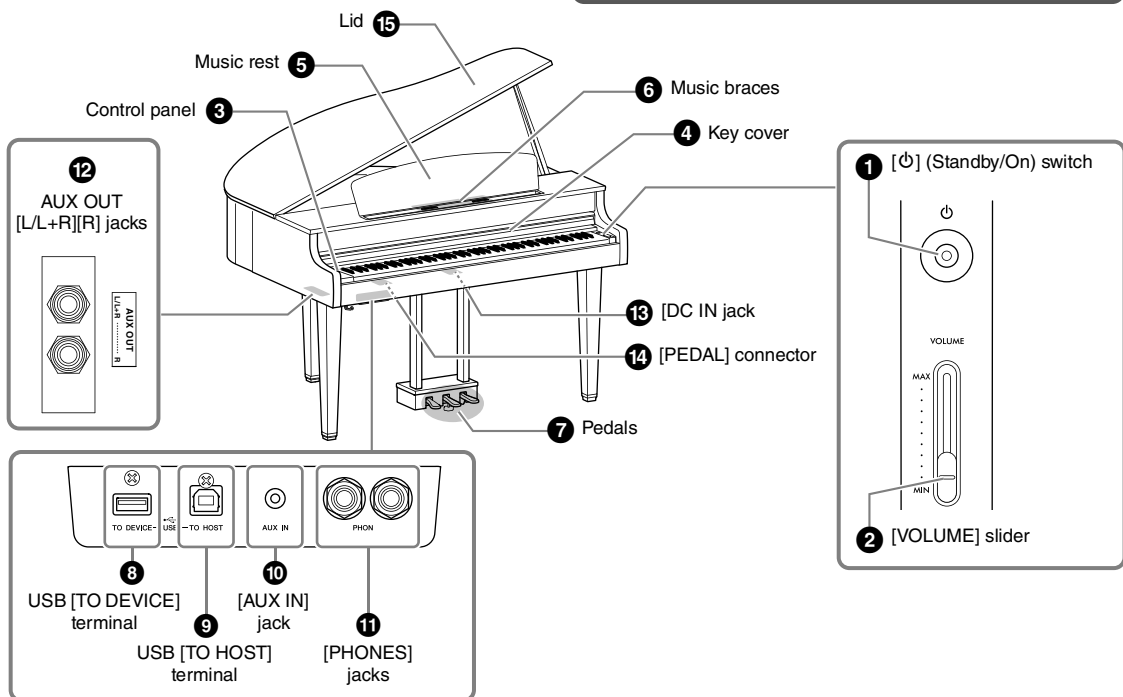
■ CLP-885/CLP-875/CLP-845/CLP-835

* This illustration shows the CLP-885.



■ CLP-895GP/CLP-865GP

* This illustration shows the CLP-895GP.



- 1 [⏻] (Standby/On) switch (page 17)**
For turning the power on or setting it to standby.
- 2 [VOLUME] slider (page 18)**
For adjusting the overall volume.
- 3 Control Panel (page 20)**
For controlling the instrument, using the various functions, and changing the settings.
- 4 Key cover (page 14)**
For keeping the keyboard clean and protecting it from dust or dirt.
- 5 Music rest (page 15)**
For holding music books, etc.
- 6 Music braces (page 15)**
For securely holding the pages of music books on the music rest.
- 7 Pedals (page 19)**
For using as a damper pedal (right), sostenuto pedal (center) or soft pedal (left). (These are default settings.)
- 8 USB [TO DEVICE] terminal (pages 47, 49)**
For connecting a USB flash drive or the UD-WL01 USB wireless LAN adaptor (sold separately). Before using the USB [TO DEVICE] terminal, be sure to read "Using the USB [TO DEVICE] terminal" on page 6.
- 9 USB [TO HOST] terminal (pages 47, 48)**
For connecting to a computer or smart device such as smartphone or tablet.
- 10 [AUX IN] jack (page 45)**
For connecting to an audio player and inputting sound from that device to this instrument.
- 11 [PHONES] jack (x2) (page 18)**
For connecting headphones.
- 12 AUX OUT [L/L+R][R] jacks (page 50)**
For connecting to an audio device such as a speaker system and outputting sound from this instrument to that device.
- 13 DC IN jack (page 16)**
For connecting the power cord and the AC adaptor.
- 14 [PEDAL] connector (page 19)**
For connecting the pedal cord of the pre-installed pedal or the separately sold FC35 pedal unit.
- 15 Lid (page 15)**
For changing the sound resonance like on an actual grand piano by opening or closing it.

Starting Up

For information on assembling the instrument, refer to the instructions on page 63.

Opening/Closing the key cover

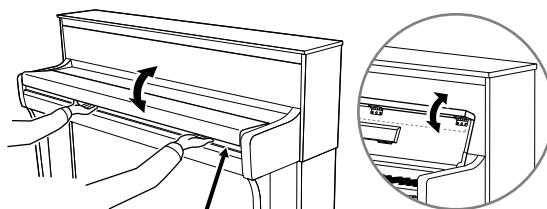
To protect the keyboard and the inside of the instrument from the dust or dirt, make sure to close the key cover when you are not using the instrument.

CAUTION

- Hold the key cover with both hands when opening or closing it. Be careful to avoid catching fingers (yours or others, especially children's) between the cover and the unit.
- Do not place anything (such as metal objects or pieces of paper) on top of the key cover. Small objects placed on the key cover may fall inside the unit when the cover is opened and may be nearly impossible to remove. Once inside, they could cause electric shock, short circuit, fire or other serious damage to the instrument.

■ CLP-885

To open the key cover, hold the hand grip with both hands, and then lift to open it. Once it's open, fold down the top of the key cover. To close the key cover, first fold back the music rest (page 15). Then, open the folded top of the key cover, and close the cover gently with both hands.



CAUTION

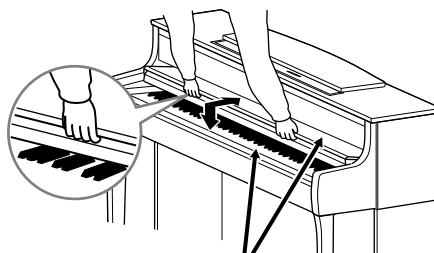
Do not apply excessive force when closing the key cover. Doing so can damage the SOFT-CLOSE™ mechanism, and possibly result in injury to your hands and fingers caught under the closing key cover.

CAUTION

Be careful to avoid catching your fingers when opening or closing the cover.

■ CLP-875/CLP-845/CLP-835/CLP-895GP/CLP-865GP

To open the key cover, lift it slightly, and then push and slide it to the end. To close the key cover, slide it toward yourself and gently lower it.



CAUTION

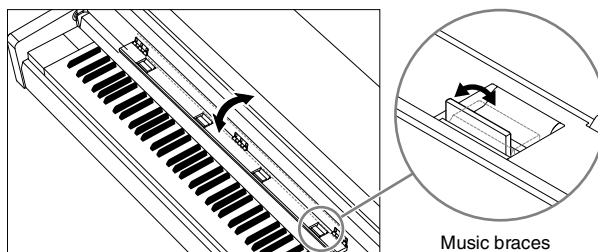
Be careful to avoid catching your fingers when opening or closing the cover.

Using the music rest

■ CLP-885

To use the music rest, unfold it from under the inside of the key cover. The music braces can be raised to securely hold the pages of music books on the music rest.

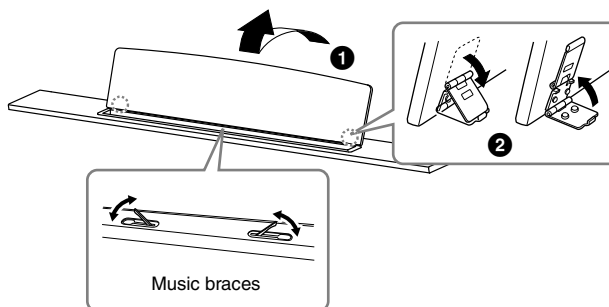
To close the music rest, close the music braces first, and then fold back the music rest toward the key cover.



■ CLP-875/CLP-845/CLP-835/CLP-895GP/CLP-865GP

To use the music rest, pull it up toward yourself as far as it will go (1), and then flip down the two metal supports on the rear of the music rest (2). After that, lower the music rest so that the metal supports latch into place. The music braces can be raised to securely hold the pages of music books on the music rest.

To close the music rest, pull it up toward yourself (1), and then raise the two metal supports (2). After that, gently lower the music rest backward until it is all the way down.



CAUTION

Do not try to use the music rest in a half-raised position. Also, when raising or lowering the music rest, do not release your hands from the music rest until it is all the way up or down.

Opening/Closing the Lid (CLP-895GP/CLP-865GP only)

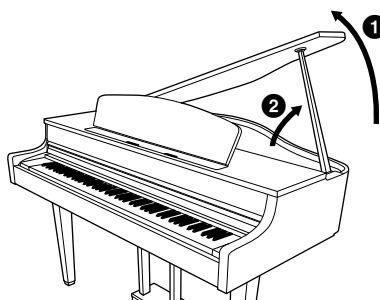


WARNING

- Do not let children open or close the lid. Also, be careful to avoid catching fingers (yours or others, and especially those of children) when raising or lowering the lid.
- Make sure that the end of the stay fits securely in the lid recess. If the stay is not properly seated in the recess, the lid may fall, causing damage or injury.
- Be careful that you or others do not bump the stay while the lid is raised. The stay may be dislodged from the lid recess causing the lid to fall.

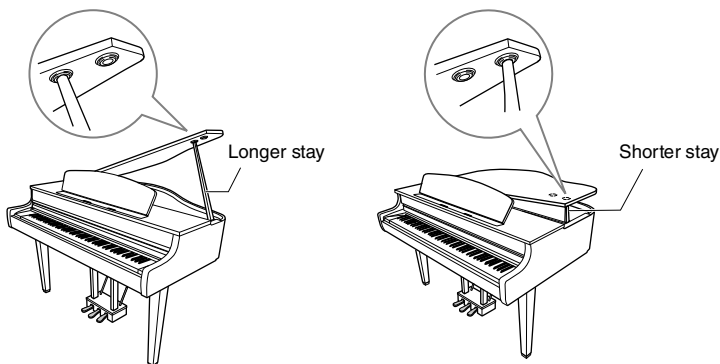
To open the lid:

- 1 Raise and hold the right side of the lid (viewed from the keyboard end of the instrument).
- 2 Raise the lid stay and carefully lower the lid so that the end of the stay fits into the recess in the lid.



CLP-895GP only

For the longer stay, use the inner recess, and for the shorter stay, use the outer recess to support the lid.

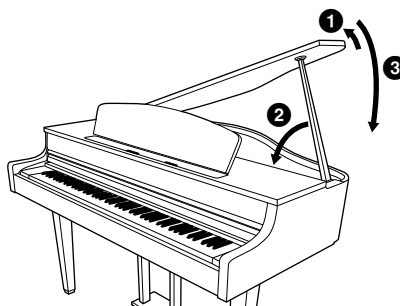


WARNING

Do not use the outer recess for the longer stay. Doing so makes the lid unstable and may cause it to fall, resulting in damage or injury.

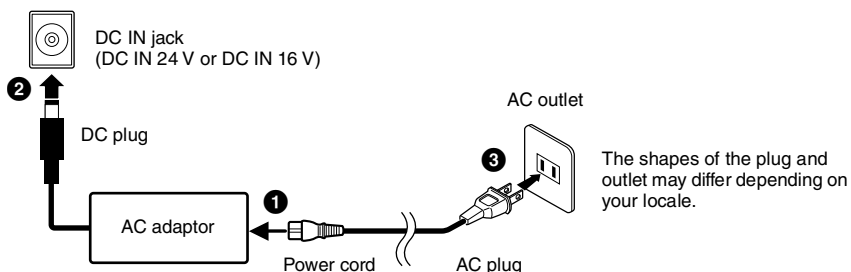
To close the lid:

- ❶ Hold the lid stay and carefully raise the lid.
- ❷ Hold the lid in its raised position and lower the lid stay.
- ❸ Carefully lower the lid.



Power supply

Connect the plugs of the AC adaptor and power cord in the order shown in the illustration. To confirm the location of the DC IN jack, refer to page 12.



WARNING

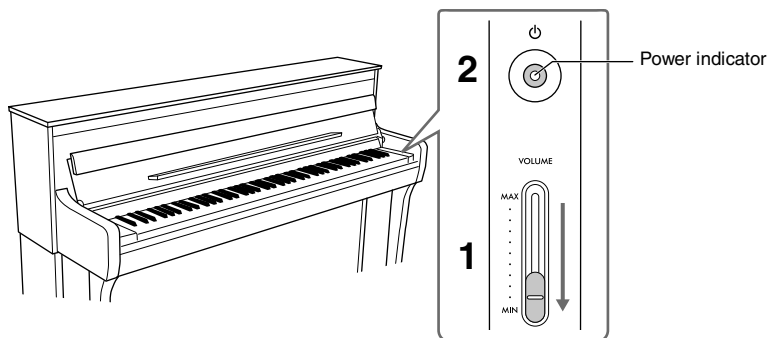
- Use the supplied or the specified AC adaptor (page 79 or page 82)/power cord only. Do not use the AC adaptor/power cord for other devices. Using the wrong AC adaptor/power cord can result in damage to the instrument or overheating.
- When setting up the product, make sure that the AC outlet you are using is easily accessible. If some trouble or malfunction occurs, immediately turn the power off and disconnect the plug from the outlet.

NOTE

When disconnecting the power cord/AC adaptor, first turn off the power, and then follow this procedure in reverse order.

Turning the power on or off

1. Turn down the [VOLUME] slider to “MIN.”



2. Press the [⏻] (Standby/On) switch to turn the power on.

The display located at the left of the keyboard and the power indicator on the [⏻] (Standby/On) switch both light up.

NOTICE

Press only the [⏻] (Standby/On) switch when turning the power on. Any other operations, such as pressing the keys, buttons or pedals may cause the instrument to malfunction.

3. After you finish using the instrument, turn off the power by pressing the [⏻] (Standby/On) switch for a second.



WARNING

Even when the [⏻] (Standby/On) switch is in standby status, electricity is still flowing to the instrument at the minimum level. Remove the electric plug from the outlet when the instrument is not to be used for extended periods of time, or during electrical storms.

Auto Power Off function

The Auto Power Off function automatically turns the power off if the instrument is not operated for a specified period of time (15 minutes by default). This prevents unnecessary power consumption. The amount of time that elapses before the power is automatically turned off can be changed from “Utility” > “Auto Power Off” in the System menu (page 51). For details, refer to the Reference Manual.

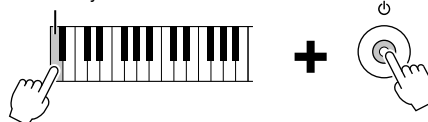
NOTICE

Any data which are not saved will be lost if the power automatically turns off. Make sure to save your data before this happens.

Disabling Auto Power Off

Turn the power on while holding down the lowest key on the keyboard. An “Auto power off disabled” message appears briefly and the instrument starts up with the Auto Power Off disabled.

Lowest key



Adjusting the Master Volume

To adjust the volume of the entire keyboard sound, use the [VOLUME] slider. Play the keyboard to check the sound while you adjust the volume.

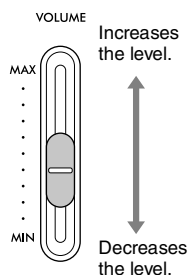


CAUTION

Do not use the instrument for a long period of time at a high or uncomfortable volume level, since this can cause permanent hearing loss.

NOTE

You can use the Volume Limiter function to prevent excessively loud sounds from the instrument. This function is set to off by default; however, you can turn it on/off from "Sound" > "Volume Limiter" in the System menu (page 51). For details, refer to the Reference Manual.



Using headphones

You can connect two pairs of headphones to the [PHONES] jacks. If you are using only one pair, insert the plug into either of these jacks. If you use headphones with a mini plug, you will need an appropriate adaptor plug as shown in the illustration.

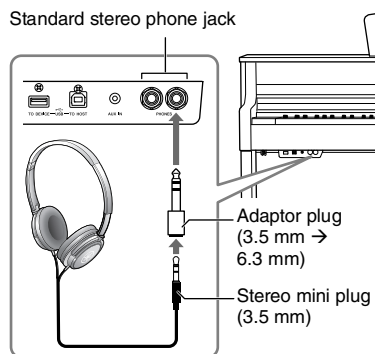


CAUTION

Do not use the headphones for a long period of time at a high or uncomfortable volume level, since this can cause permanent hearing loss.

NOTE

- To prevent excessively loud volume, the Volume Limiter function can be used to limit the maximum volume. This function is set to off by default; however, you can turn it on/off from "Sound" > "Volume Limiter" in the System menu (page 51). For details, refer to the Reference Manual.
- When a plug is connected to the [PHONES] jack, no sound will come out from the instrument's speakers. If you are using an adaptor plug, be sure to remove this as well when unplugging the headphones.
- When one of the Voices having VRM effects is selected (page 52), the Binaural Sampling or Stereophonic Optimizer technology lets you enjoy exceptionally realistic, natural piano sound, even when listening on headphones. This function is set to on by default; however, you can turn it on/off from "Sound" > "Binaural" in the System menu (page 51). For details refer to the Reference Manual.

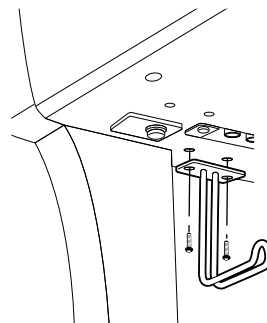


Attaching the headphone hanger

A headphone hanger is included in the instrument package so that you can hang the headphones on the instrument. Attach the headphone hanger by using the included two screws (4 x 10 mm) at the left front side as shown in the illustration.

NOTICE

Do not hang anything other than the headphones on the hanger. Otherwise, the instrument or the hanger may be damaged.



* The shape of the hanger differs depending on the model

Using the pedals

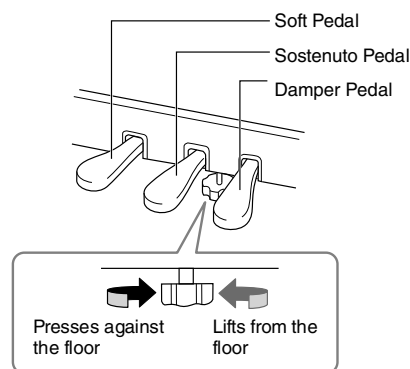
The function below is assigned for each pedal by default. Before using the pedals, rotate the adjuster until it comes in firm contact with the floor surface so that the pedals do not rattle or give way when you step on them.

NOTICE

Before moving the instrument, rotate the adjuster under the pedal until it separates from the floor surface. Failure to do so may damage the floor surface.

NOTE

- The pedals are protected with vinyl covers when shipped from the factory. Remove the covers from the pedals before using to ensure optimum use of the pedal effects.
- The pedal functions can be changed from “Pedal Assign” in the Voice menu (page 51). For details, refer to the Reference Manual.

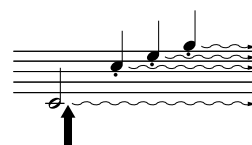


■ Damper pedal (right pedal)

When you press the damper pedal, the notes you play have a longer sustain. When you select a piano Voice having VRM effects (page 52), pressing the damper pedal activates the VRM to accurately recreate the unique resonance.

NOTE

The damper pedal of the CLP-885, CLP-875 and CLP-895GP features the GP Response Damper. This special pedal has been designed to provide enhanced tactile response and, when pressed, is much closer in feel to the pedal of an actual grand piano. It makes it easier to physically experience the half-pedal point and more easily apply the half-pedal effect than other pedals.



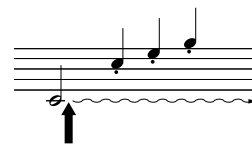
When you press the damper pedal here, the notes you play before you release the pedal have a longer sustain.

■ Sostenuto pedal (center pedal)

If you play a note or chord on the keyboard and press the sostenuto pedal while holding the note(s), the notes will sustain as long as the pedal is held. All subsequent notes will not sustain.

NOTE

While the center pedal is held, a sustained (non-decaying) type of Voice in the STRINGS or ORGAN category may sound continuously without decay after the notes have been released.



When you press the sostenuto pedal here while holding the note(s), the notes will sustain as long as you hold the pedal.

■ Soft pedal (left pedal)

The soft pedal reduces the volume and slightly changes the timbre of notes played while the pedal is pressed. The soft pedal will not affect notes that are already playing when it is pressed.

When “Jazz Organ 1,” “Jazz Organ 2” or “Rock Organ” is selected, pressing and releasing this pedal switches between “fast” and “slow” of the Rotary Speaker speed. When the “Vibraphone” is selected, this pedal switches Vibrato on and off.

[PEDAL] connector

Make sure to connect the plug of the pedal cord securely into the [PEDAL] connector in the proper direction. Otherwise, the pedal may not function properly. The FC35 Pedal Unit (sold separately) can also be connected to this terminal. You can substitute the FC35 for the pedals of the instrument, and use the pedals at a suitable height for you by placing the unit on a stand.



CAUTION

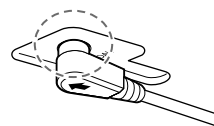
When placing the FC35 on a stand, make sure that the stand is sufficiently large, flat and stable to prevent the pedals from wobbling or falling when they are pressed.

NOTICE

Be careful to connect the plug in the proper direction. Connecting in the wrong direction can result in damage to the instrument.

NOTE

- On the CLP-895GP/CLP-865GP, the shape of the plug differs from the illustration above.
- Make sure that power is off when connecting or disconnecting the plug of the pedal.



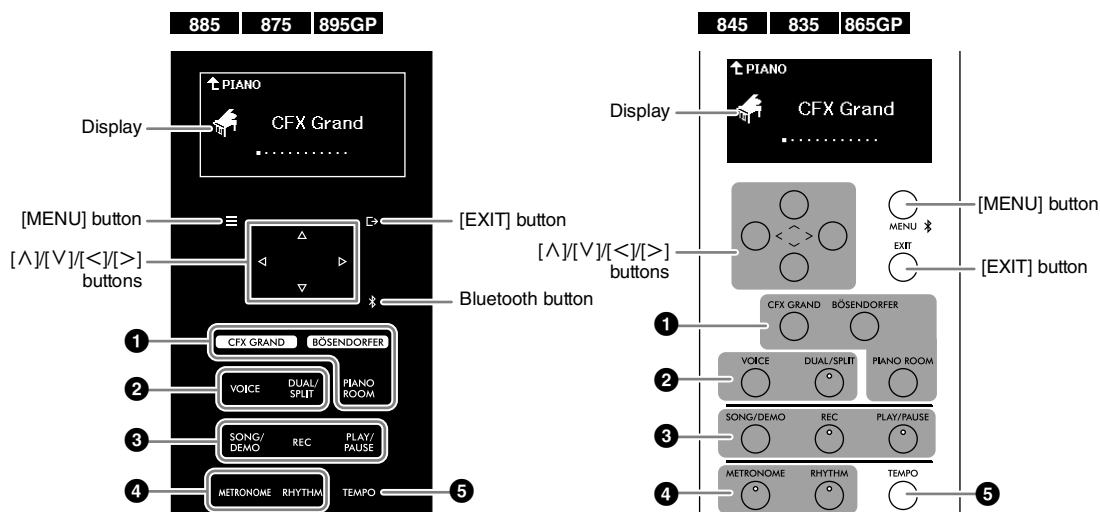
Insert the plug securely until the metal part of the plug disappears from view.

Basic Operations

Since this instrument is optimized for first-time users by factory default, you can enjoy easily using it simply with the default settings.

As you become more familiar with the instrument, try out some of the various functions or change some of the settings as desired. Use the control panel to control the instrument while checking the status of the instrument on the display.

Control Panel



NOTE

- The CLP-885/CLP-875/CLP-895GP and the CLP-845/CLP-835/CLP-865GP have different control panels. Panel illustration examples are hereafter indicated with the icons to show which models have that particular panel.
- On the CLP-885/CLP-875/CLP-895GP, the control panel lights up when the power is turned on, and it turns off automatically if you do not touch the control panel for a specified period time (30 seconds by default). The amount of time that elapses before the light turns off, and the sound on/off of the control buttons can be set from "Utility" in the System menu (page 51). For details, refer to the Reference Manual.

❶ [CFX GRAND]/[BÖSENDORFER]/[PIANO ROOM] buttons

For playing this instrument as a piano (page 23). You can play the piano with your desired settings, such as touch sensitivity and the resonance.

❷ [VOICE]/[DUAL/SPLIT] buttons

For playing with various instrumental Voices, including piano, organ and more (page 26). You can also layer two Voices, or play different Voices in the right- and left-hand areas of the keyboard.

❸ [SONG/DEMO]/[REC]/[PLAY/PAUSE] buttons

For playing back and listening to the preset or commercially available Songs (page 30), or for recording your performance (page 37). You can also play back or record each part individually, allowing you to practice the right-hand part while playing back the left-hand part.

❹ [METRONOME]/[RHYTHM] buttons

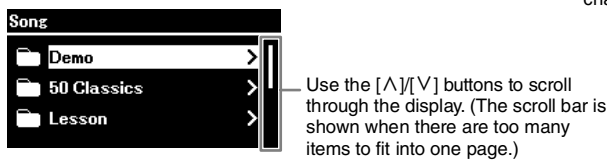
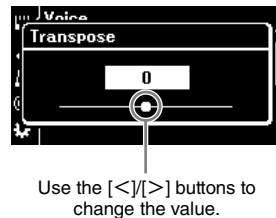
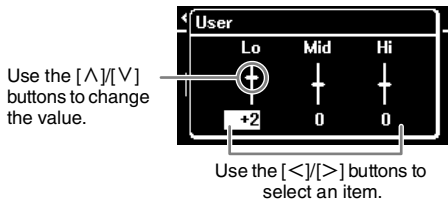
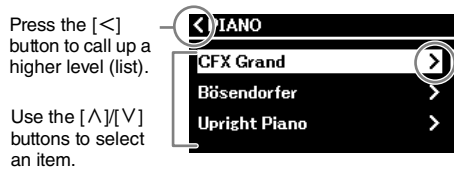
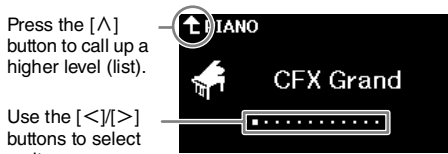
For practicing playing at an accurate tempo with metronome (page 25), or playing along with dynamic Rhythm playback (page 29).

❺ [TEMPO] button

For adjusting the tempo for the metronome (page 25), Rhythm (page 29), or Song (page 33) playback.

• [**^**]/[**V**]/[**<**]/[**>**] buttons

For selecting an item on the display or setting a value. Refer to the examples below as a guide for using these buttons.



• [**↵**]/[**EXIT**] buttons

For exiting from the setting display.

• [**≡**]/[**MENU**] buttons (page 51)

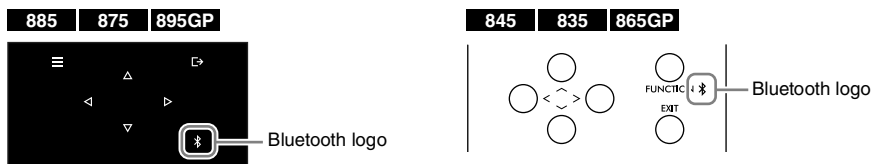
For making detailed settings of each function. On the CLP-845, CLP-835 and CLP-865GP, this is also used for connecting a Bluetooth-equipped device such as a smartphone (page 44).

• (CLP-885/CLP-875/CLP-895GP only) Bluetooth button (page 44)

For connecting to a Bluetooth-equipped device such as a smartphone.

Bluetooth capability

Depending on the country in which you purchased the product, the instrument may not have Bluetooth capability. If the Bluetooth logo is shown or printed on the control panel, this means that the product is equipped with Bluetooth functionality.

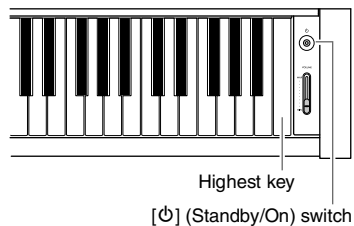


In this manual, the [**↵**] button is hereafter referred to as the [EXIT] button, and the [**≡**] button is referred to as the [MENU] button.

Initializing the settings

Restoring the factory-programmed settings

The settings of the instrument are retained even when the power is turned off, allowing you to use the instrument with the same settings when you turn the power on the next time. To reset the settings to their factory defaults, press the [⏻] (Standby/On) switch to turn on the power while holding down the highest key.

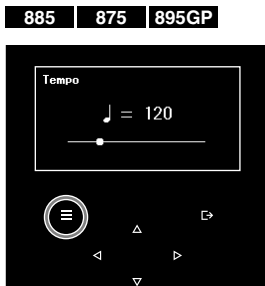


NOTE

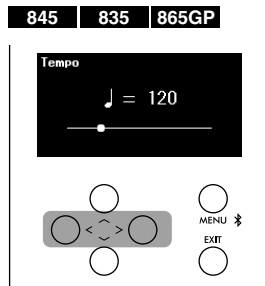
- For details on the data retained even when the power is turned off, refer to the “Backup” section in the System menu on the Reference Manual.
- The Songs saved to the instrument (page 37) and Bluetooth pairing information (page 44) will not be lost even when the initializing is executed.

Resetting the value of the selected item to its default

You can reset the setting value for a selected item, such as in the Tempo display and Menu display, to its original default value.



While the setting display is shown, press and hold the [MENU] button until the value is reset.



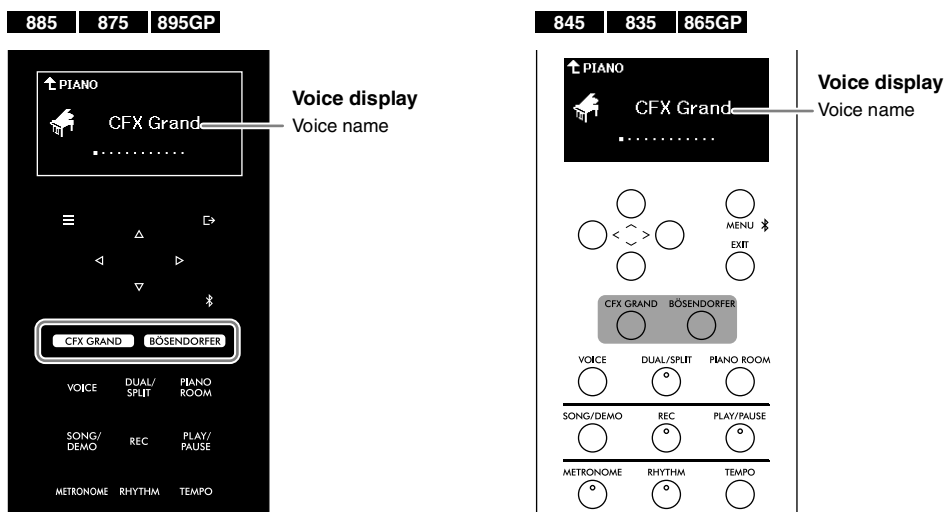
While the setting display is shown, press the [LEFT] and [RIGHT] buttons simultaneously.

NOTE

On the display in which you set the value by using the [^]/[v] buttons, press the [^] and [v] buttons simultaneously to reset.

Enjoy Playing the Piano

This instrument lets you play with various types of piano sounds. Press the [CFX GRAND] or [BÖSENDORFER] button at first to play with an authentic grand piano.



- **[CFX GRAND] button:**
Calls up Yamaha's CFX concert grand piano sound ("CFX Grand" Voice) with a wide dynamic range for maximum expressive control. Suitable for playing in any music genre and style.
- **[BÖSENDORFER] button:**
Calls up the famed sound of the Vienna-made Bösendorfer Imperial concert grand piano ("Bösendorfer" Voice). The warm, spacious sound evokes the size of the instrument, and is ideal for expressing tenderness in compositions.

NOTE

Pressing the [CFX GRAND] or [BÖSENDORFER] button disables the Dual, Split or Duo function (page 27).

Selecting other piano Voices

Use the [<][>] buttons to select piano Voices other than "CFX Grand" and "Bösendorfer." You can also select other Voices by pressing the [VOICE] button (page 26).

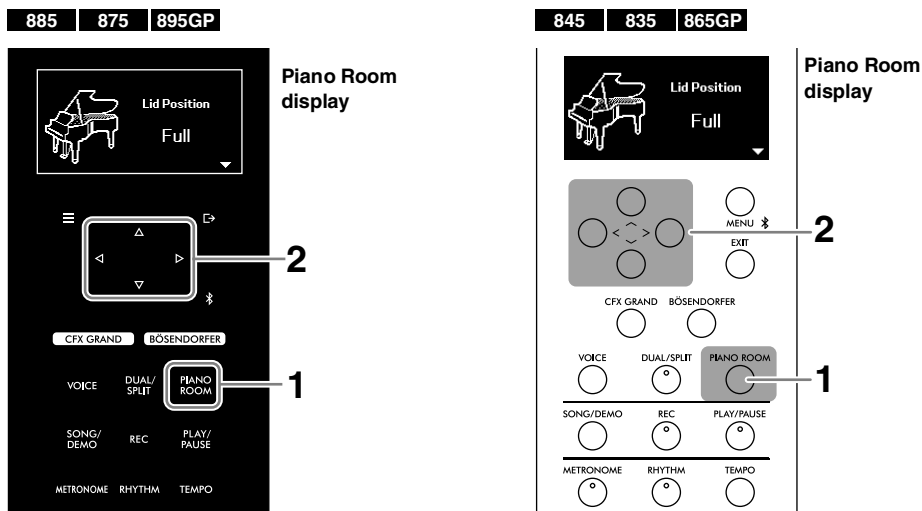
Customizing the sound and the Touch Sensitivity of piano Voices (Piano Room)

The Piano Room lets you adjust detailed settings such as the resonance of the piano sound and Touch Sensitivity to customize your desired piano. Select "CFX Grand," "Bösendorfer" or any other PIANO category Voices having VRM effects to apply the settings.

NOTE

To check which PIANO category Voices have VRM effects, refer to the "Voice List" on page 52.

1. Press the [PIANO ROOM] button to call up the Piano Room display.



NOTE
To exit from the Piano Room display, press the [EXIT] button.

2. Use the [^][V] buttons to select an item, and then use the [<][>] buttons to set the value.

Item	Description
Lid Position	Recreates the differences in sound depending on how high the (virtual) grand piano lid is opened.
Brightness	Adjusts the brightness of the sound.
Touch	Determines how the sound responds to your playing strength.
Reverb	Selects the Reverb type, which simulates the reverberation of a specific room or venue, giving you the feeling of being in the selected space. The Reverb depth can also be adjusted.
Reverb Depth	
Master Tune	Fine tunes the pitch of the entire instrument. This function is useful when you play this instrument along with other instruments or CD music.
VRM	<p>Turns on/off the VRM (Virtual Resonance Modeling) effect which faithfully simulates an actual acoustic piano. While this display is shown, pressing the [PLAY/PAUSE] button plays back the Demo. You can listen to the Demo with and without the effect (VRM on or off). The parameters below can be set when VRM is set to "On."</p> <ul style="list-style-type: none"> • Damper Resonance: Adjusts the depth of the string resonance effect which is applied when the damper pedal (right pedal) is pressed. • Damper Noise: Turns on/off the damper noise which recreates the sound made on an acoustic piano when the damper pedal is pressed. • String Resonance: Adjusts the depth of the string resonance effect which is applied when a note on the keyboard is pressed. • Duplex Scale Resonance: Adjusts the sympathetic vibrations of the duplex scaling resonance effect. • Body Resonance: Adjusts the resonance of the piano itself (the soundboard, the sides, the frame and so on).
Grand Expression	<p>Selects the type of the Grand Expression Modeling effects. While this display is shown, pressing the [PLAY/PAUSE] button plays back the Demo. You can listen to the Demo with "Dynamic" or "Static."</p> <ul style="list-style-type: none"> • Dynamic: You can control extremely subtle nuances in the sound like on an actual acoustic piano by changing your playing strength or touch. • Static: The nuances are generally fixed even when you change your playing strength or touch.

Item	Description
Half Pedal Point	<p>Specifies the point to which you must depress the damper pedal (right pedal) before the Sustain effect begins to be applied.</p> <p>Half-pedal function</p> <p>The Half-pedal function allows you to use half-damper techniques, in which the damper is pressed somewhere between all the way down and all the way up. In this half-damper state (on a real piano), the damper feels only partially mute the strings. The Half-pedal function on this instrument lets you delicately and expressively control the damper muting, and create subtle nuances in your performance, by finely controlling the point at which pressure on the pedal affects the damper muting.</p>

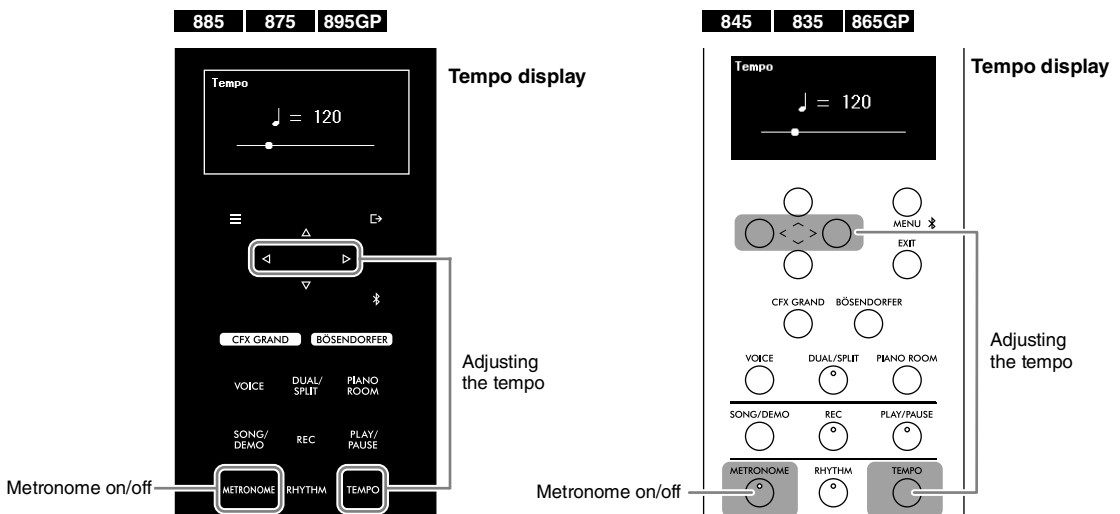
NOTE

- The settings in the Piano Room are equivalent to those in the Menu display (page 51). "Touch," "Master Tune" and "Half Pedal Point" can be set in the System menu, and other parameters can be set in the Voice menu. For details on these setting parameters, refer to the Reference Manual.
- To reset the selected item to the default value, on the CLP-885, CLP-875 and CLP-895GP, press and hold the [MENU] button until the value is reset. On the CLP-845, CLP-835 and CLP-865GP, press the [<] and [>] buttons simultaneously.

Using the metronome

Pressing the [METRONOME] button turns the metronome on/off. The metronome lets you practice or play at an accurate tempo.

To adjust the metronome tempo, use the [<]/[>] buttons to change the value while the Tempo display is shown. If the Tempo display is not shown, press the [TEMPO] button to call it up.



NOTE

- The tempo of the metronome and the Rhythm (page 29) are equivalent.
- If you set the time signature of the metronome, the first beat is accented by the bell sound. The time signature and the volume of the metronome can be set in the Metronome/Rhythm menu (page 51). For details, refer to the Reference Manual.

Playing with Various Sounds (Voices)

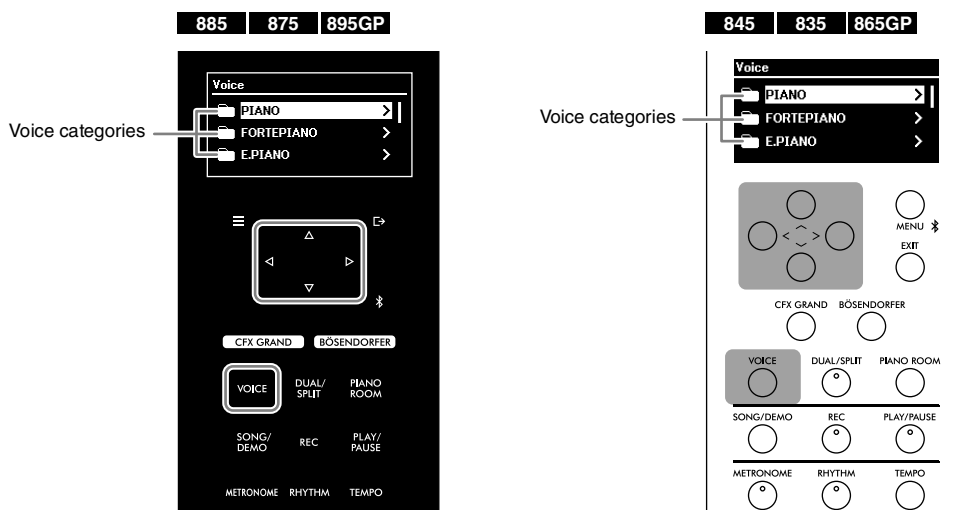
In addition to the wonderfully realistic piano sounds, you can select and play other musical instrument sounds (Voices), such as organ or stringed instruments. For details on each Voice, refer to the Voice List on page 52.

NOTE

Demos are provided for some Voices, allowing you to hear and experience the characteristics of the Voices. Refer to page 31 for instructions on playing back the Voice Demos.

1. Press the [VOICE] button to call up the Voice category list.

Voices are categorized by the type of instrument.



2. Use the [^]/[v] buttons to select the Voice category, and then press the [>] button call it up.

The Voices in the selected category are listed in the display. To re-select the category, press the [<] button.

NOTE

On the CLP-885 and CLP-895GP, XG Voices can also be selected. Since the XG category contains a large number of Voices, it is conveniently divided into sub-categories. Use the [^]/[v] buttons to select a sub-category, and then press the [>] button to go on to the next step. For a list of XG Voices, refer to the Data List on the website.

3. Use the [^]/[v] buttons to select the desired Voice, and then press the [>] button to call it up.

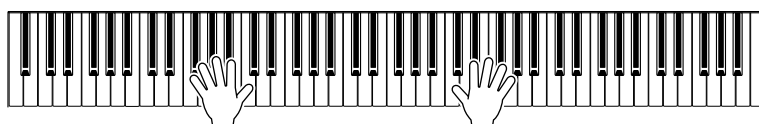
The Voice display appears with the current Voice.



NOTE

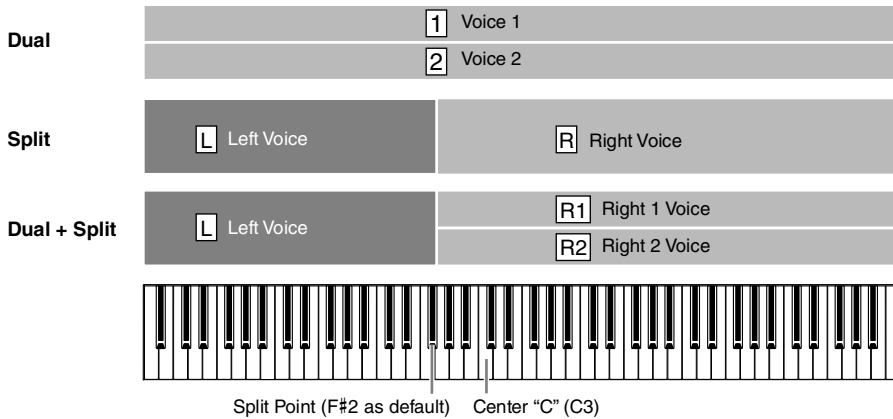
You can also change the Voice by using the [<]/[>] buttons while the Voice display is shown.

4. Play the keyboard.



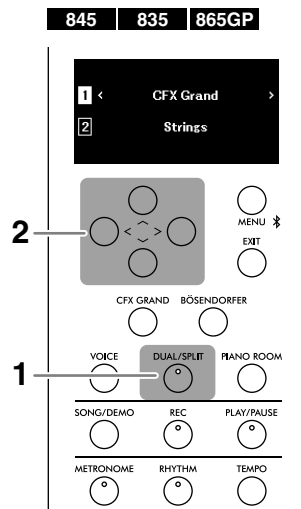
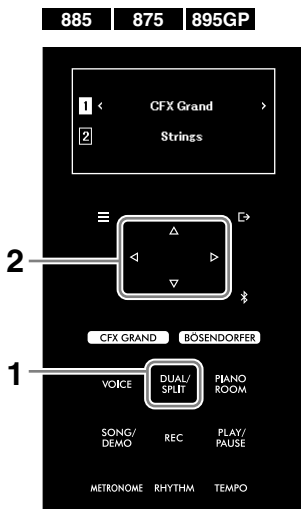
Combining Voices for playing (Dual/Split)

The Dual function lets you play two different Voices in a layer, and the Split function lets you play different Voices in the right- and left-hand areas of the keyboard. The Dual and Split functions can be used at the same time. By combining Voices, you can create luscious instrument textures and convenient performance combinations. When Split is turned on, the key which divides the keyboard into the left- and right-hand areas is referred to as Split Point, and it is set to the key indicated in the illustration below by default. The Split Point key is included in the left-hand area.



1. Press the [DUAL/SPLIT] button several times to turn on the Dual/Split function.

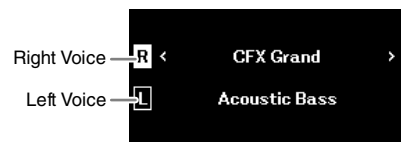
Depending on the function you wish to use, press the button once, twice or three times. The display differs depending on the activated function.



Dual: Press the button once



Split: Press the button twice



Dual + Split: Press the button three times



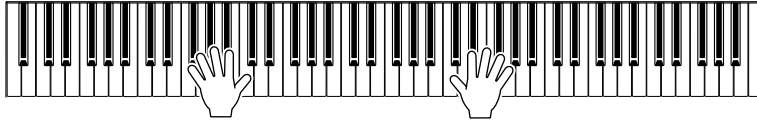
2. Select two or three Voices.

2-1. Use the [^]/[v] buttons to select the part (1/2, R/ L, or R1/R2/L).

2-2. Use the [<]/[>] buttons to select the Voice.

You can also select the Voice by pressing the [VOICE] button to call up the Voice category list (page 26).

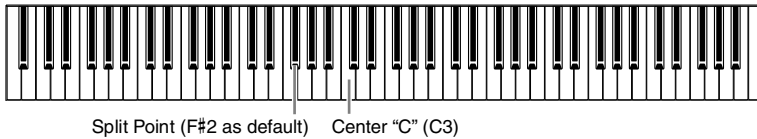
3. Play the keyboard.



4. After you finish your performance, press the [DUAL/SPLIT] button to turn off the Dual/ Split function.

Changing the Split Point (the border between the right- and left-hand areas)

With the Split function turned on, simultaneously hold down the [DUAL/SPLIT] button and press the key you wish to set as the Split Point. The specified Split Point key is included in the left-hand area.



Playing by two players over the same octave range (Duo)

The Duo function allows two different players to play the right and left area of the keyboard which is divided at the Split Point. Two players can play over the same octave range. You can turn this function on/off from "Keyboard" in the System menu (page 51). For details, refer to the Reference Manual.

NOTE

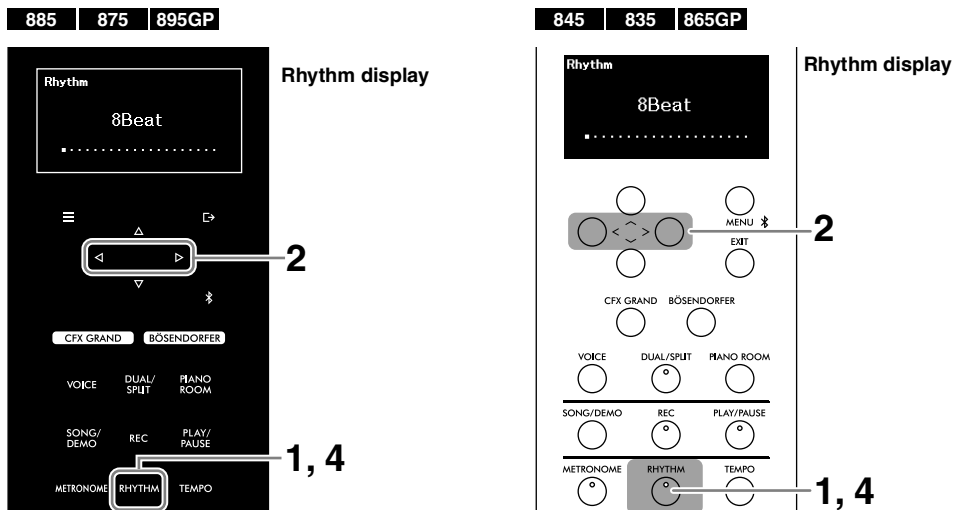
When Duo is turned on, the right pedal becomes the damper pedal for the right player, the left pedal becomes the damper pedal for the left player, and the center pedal becomes the damper pedal for both the right and left player.

Playing the Keyboard along with Rhythm Playback

Using the Rhythm function instead of the metronome lets you not only play with accurate tempo but also lets you perform more enjoyably along with dynamic Rhythm playback in the desired music genre.

1. Press the [RHYTHM] button to start Rhythm playback.

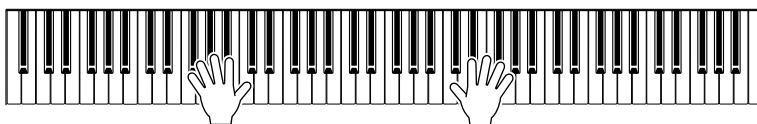
Intro playback starts followed by the Rhythm playback.



2. Use the [<]/[>] buttons to call up the desired Rhythm.

3. Play the keyboard along with Rhythm playback.

The Rhythms consist of drums and bass accompaniment. The bass accompaniment sound automatically changes based on the chords played on the keyboards.



The Rhythm tempo is equivalent to the metronome tempo (page 25). Press the [TEMPO] button and then use the [<]/[>] buttons to adjust the tempo.

NOTE

- For details on how to play chords, refer to commercially available chord books. 9th, 11th and 13th chords cannot be recognized.
- The volume, bass sound on/off, and Intro and Ending on/off can be set in the Metronome/Rhythm menu (page 51). For details, refer to the Reference Manual.

4. To stop Rhythm playback, press the [RHYTHM] button again.

The Rhythm will automatically stop after an Ending is played.

Playing back Songs such as Preset Songs and Recorded Songs

Preset songs, your recorded performances, and commercially available songs that can be played back on this instrument are referred to as “Songs” in this manual. In addition to listening to these Songs, you can use the Songs for your practice.

There are two kinds of Songs as described below.

- **MIDI Songs**

A MIDI Song is comprised of your keyboard performance information and is not a recording of the actual sound itself. The performance information refers to which keys are played, at what timing, and at what strength—just as in a musical score. Based on the recorded performance information, the sounds built into the instrument is output from the speakers. MIDI Songs are useful for practicing; you can play back the right-hand and left-hand parts independently, and you can also play back the specified range of the Song repeatedly.

- **Audio Songs**

An Audio Song is a recording of the performed sound itself. This data is recorded in the same way as that used with voice recorders, etc.

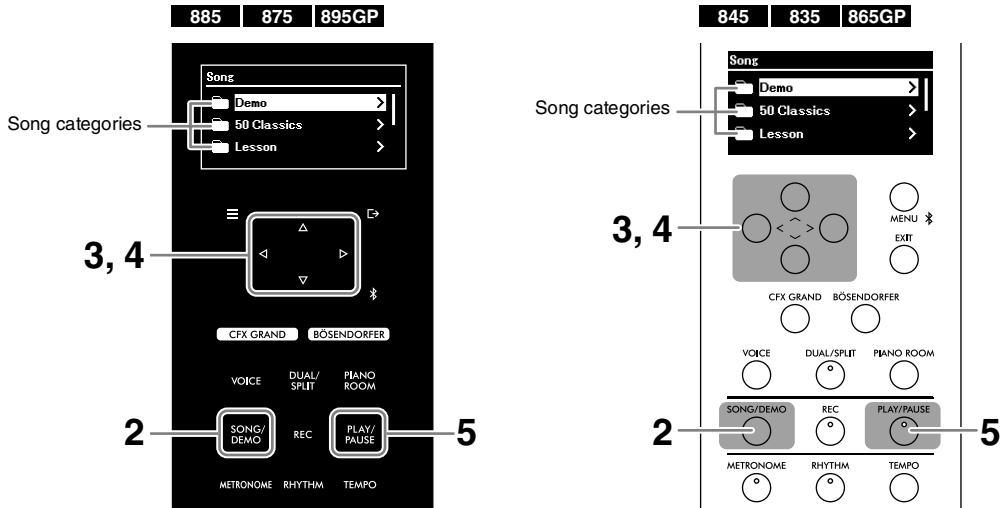
Songs that can be played back on this instrument

- Preset MIDI Songs (see “Song List” on page 57)
- MIDI Songs/Audio Songs recorded on this instrument (see page 37 for instructions on recording)
- Commercially available Songs of the following formats in the USB flash drive connected to the USB [TO DEVICE] terminal
 - MIDI Songs: SMF (Standard MIDI File)
 - Audio Songs: WAV (44.1 kHz, 16-bit, stereo)

NOTE

Before using a USB flash drive, be sure to read “Using the USB [TO DEVICE] terminal” on page 6.

1. (Only when playing a Song from a USB flash drive) **Connect the USB flash drive to the USB [TO DEVICE] terminal.**
2. **Press the [SONG/DEMO] button to call up the Song category list.**



Song category	Format	Description
Demo	MIDI	Voice Demos let you experience the characteristics of the Voices (page 26). Demos are available only for some Voices.
50 Classics	MIDI	Preset piano Songs which are contained in the music book “50 Classical Music Masterpieces,” included with this instrument.
Lesson	MIDI	Preset Songs ideal for practice, taken from “The Virtuoso Pianist” and others. Lesson Songs are divided into several folders depending on the album types.
User	MIDI	Songs which have been recorded and saved to the instrument by using the Record function (page 37), and Songs which have been copied/moved to the instrument from a USB flash drive.
USB	MIDI	Songs saved to the USB flash drive connected to the USB [TO DEVICE] terminal. The Songs recorded on this instrument are saved to the “USER FILES” folder.
	Audio	

NOTE

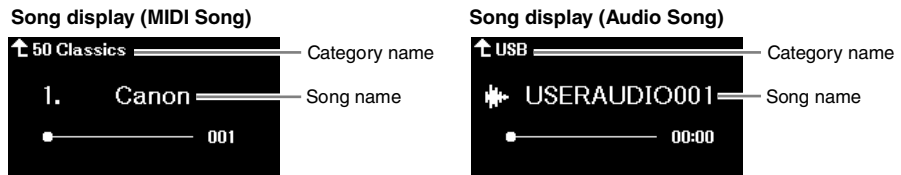
- For a list of the preset Songs, refer to the “Song List” on page 57. To see which Voices have Demos, refer to the “Voice List” on page 52.
- “USB” appears only when a USB flash drive is connected.
- Copying or moving MIDI Songs from a USB flash drive to “User” can be done from “File” in the Song menu (page 51). For details, refer to the Reference Manual.
- By using the Smart Pianist app (page 46), you can view the music scores of the “50 Classics” and “Lesson” Songs on your smart device.

3. **Use the [^]/[v] buttons to select the Song category (folder), and then press the [>] button to call it up.**

The Songs in the selected folder are shown. If the folder contains another folder within it, repeat the same operation. To re-select a folder, press the [<] button to return to the Song category list.

4. Use the [^]/[v] buttons to select the Song, and then press the [>] button to call it up.

The Song display appears, and you can see the currently selected Song name and its category name.

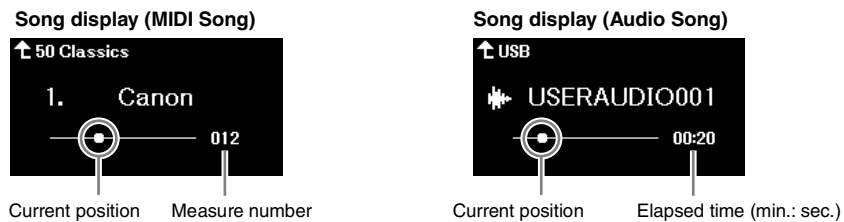


NOTE

When the Song name is too long to be displayed, press the [v] button to see the full name.

5. Press the [PLAY/PAUSE] button to start playback.

The current position of Song playback appears in the display. The current measure number is shown for MIDI Songs, and the elapsed time is shown for Audio Songs.



The Song stops automatically when playback of the selected Song reaches the end. To pause the Song during playback, press the [PLAY/PAUSE] button.

Fast forward/Rewind/Returning to the Song beginning

Fast forward/Rewind

While the Song display is shown, press the [<] button to rewind, and press the [>] button to fast forward. The display shows you the current playback position (measure number/elapsed time).

Returning to the Song beginning

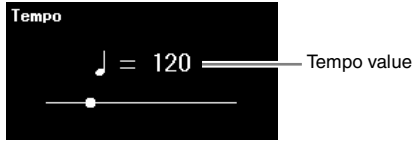
- **CLP-885/CLP-875/CLP-895GP:** While the Song display is shown, hold the [MENU] button until the Song position returns to the beginning.
- **CLP-845/CLP-835/CLP-865GP:** While the Song display is shown, press the [<] and [>] buttons simultaneously.

Adjusting the tempo/speed

1. During Song playback, press the [TEMPO] button to call up the Tempo display.

When a MIDI Song is selected and the Song display is shown, you can call up the Tempo display while the Song is stopped.

Tempo display (MIDI Song)



Tempo display (Audio Song)



2. Use the [<]/[>] buttons to change the tempo.

For MIDI Songs, the tempo range differs depending on the time signature for the selected Song. For Audio Songs, tempo can be adjusted over a range of 75%–125%, with 100% being the original speed.

NOTE

When a MIDI Song is selected, only even numbers are available for the tempo value depending on the time signature for the selected Song. For details, refer to the "Time Signature" section in the Metronome/Rhythm menu in the Reference Manual.

To reset to the original tempo, follow the instructions below.

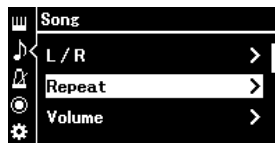
- **CLP-885/CLP-875/CLP-895GP:** Hold the [MENU] button until the tempo resets to the default value.
- **CLP-845/CLP-835/CLP-865GP:** Press the [<] and [>] buttons simultaneously.

Using repeat playback

Playing back an entire Song or Songs repeatedly

You can play back the selected Song or all Songs in the selected folder continuously.

1. Select a Song to be played back (page 31).
2. Press the [MENU] button several times to call up the Song menu (page 51).
3. Use the [^]/[v] buttons to select "Repeat," and then press the [>] button to call up the function.



4. (Only for when a MIDI Song is selected) Use the [^]/[V] buttons to select “Song,” and then press the [>] button to call up the function.

When an Audio Song is selected, this step is not needed.



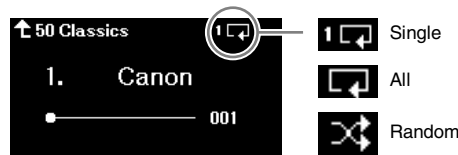
5. Use the [^]/[V] buttons to select the repeat type.



- **Off:** Disables repeated playback. When playback of the selected Song reaches the end, playback stops automatically.
- **Single:** Plays through only the selected Song repeatedly.
- **All:** Continuously plays back all Songs in the folder which contains the selected Song in numerical order.
- **Random:** Continuously plays back all Songs in the folder which contains the selected Song in random order.

6. Press the [PLAY/PAUSE] button to start playback.

If you call up the Song display by pressing the [EXIT] button, you can check the status of repeat playback.

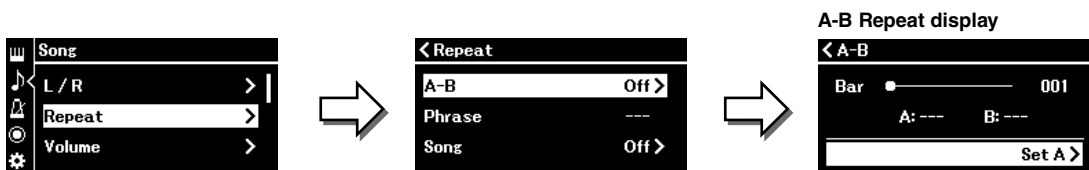


Playback continues until you press the [PLAY/PAUSE] button again. To stop repeated playback, select “Off” in the display of step 5.

Playing back a specified range of a Song repeatedly (A-B Repeat; MIDI Songs only)

A specified range of the selected MIDI Song can be played back repeatedly. This is referred to as the A-B Repeat function, and lets you practice a part of a Song repeatedly.

- 1. Select a MIDI Song to be played back (page 31).**
- 2. Press the [MENU] button several times to call up the Song menu (page 51).**
- 3. Use the [^]/[V] and [>] buttons to select “Repeat” followed by “A-B” and call up the A-B Repeat display.**

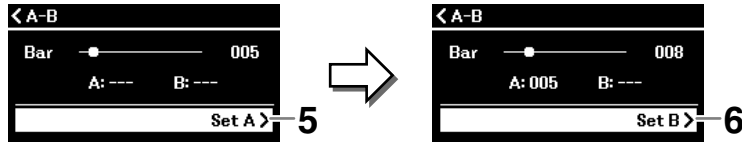


4. Press the [PLAY/PAUSE] button to start playback.

NOTE

To specify the top of the Song as the starting point (A), first go to step 5, and then start playback. After that, go on to step 6.

5. Press the [>] button at the starting point (A) of the range to be repeated.



6. Press the [>] button again at the ending point (B).

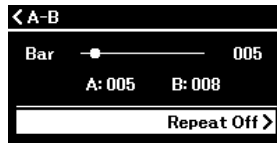
After an automatic lead-in (to help guide you into the phrase), the range from Point A to Point B is played back repeatedly. To pause the Song at any time, press the [PLAY/PAUSE] button.

NOTE

To specify the end of the Song as the ending point (B), play back through until the end of the Song. The point B is automatically set without you needing to press any button.

If you call up the Song display by pressing the [EXIT] button, the icon (A-B) is shown at the upper right of the display, indicating that the A-B Repeat function is turned on.

7. To disable A-B Repeat, press the [>] button in the A-B Repeat display while “Repeat Off” is selected.



Selecting another Song also disables A-B Repeat.

Another method for specifying a repeat range

1. Press the [^] button to highlight the measure number, and then use the [<]/[>] buttons to select the desired measure for point A.
2. Press the [V] button to highlight “Set A,” and then press the [>] button to enter the setting.
3. Specify point B in the same way as point A.

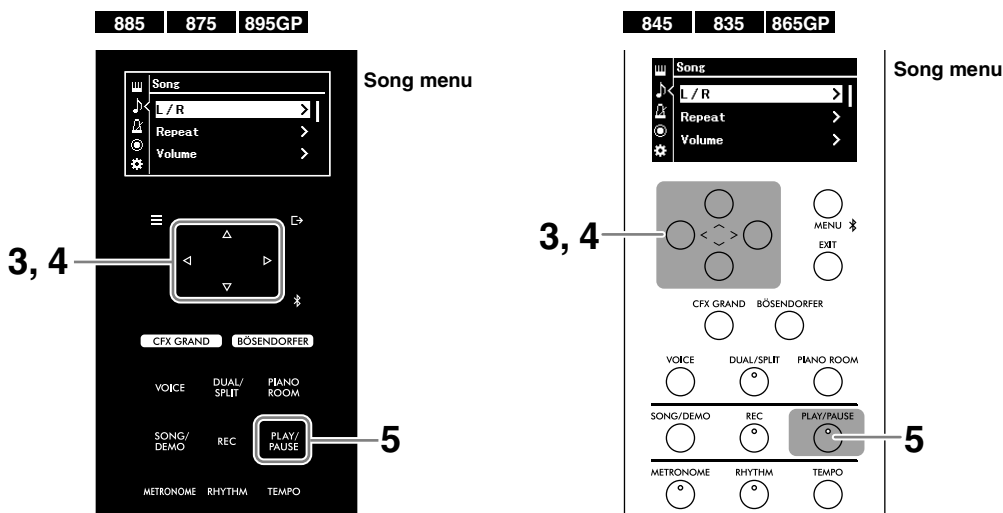


Practicing a one-hand part along with Song playback (MIDI Songs only)

Some MIDI Songs, such as preset Songs in the “50 Classics” and “Lesson” are divided into right-hand and left-hand parts. When playing this Song data, you can play the keyboard with one hand while playing back the other hand’s part—allowing you to practice parts separately for easy mastery of difficult material.

- 1. Select a Song for practicing (page 31).**
- 2. Press the [MENU] button several times to call up the Song menu (page 51).**

3. Use the [^]/[v] buttons to select “L/R,” and then press the [>] button to call up the function.



4. Use the [^]/[v]/[<]/[>] buttons to set the desired part for practicing—“R” (Right) or “L” (Left)—to “Off.”

The part set to “Off” will be muted.



NOTE

- Parts having no data are indicated by a “---” mark.
- A MIDI Song consists of 16 tracks (parts), and usually track 1 is assigned to “R,” track 2 is assigned to “L,” and tracks 3–16 are assigned to “Extra.”
- If you select another Song, all parts will be reset to on.

5. Press the [PLAY/PAUSE] button to start playback and practice playing the part you have turned off.

The Song stops automatically when playback of the selected Song reaches the end. To pause the Song during playback, press the [PLAY/PAUSE] button.

To practice more effectively, you can conveniently adjust the tempo (page 33) and use the A-B Repeat function (page 34).

Other useful Song playback functions

The additional functions below are useful for Song playback and can be set in the Menu display (page 51). For details, refer to the Reference Manual.

- **Starting/pausing playback by using a pedal:** This can be set from “Pedal” > “Play/Pause” in the System menu.
- **Transposing the pitch of a Song:** This can be set from “Transpose” in the Song menu.
- **Adjusting the volume balance between your keyboard performance and Song playback:** This can be set from “Volume” in the Song menu.

Recording Your Performance

This instrument features two different recording methods that you can use depending on your purposes.

- **MIDI Recording**

With this method, recorded performances are saved as an SMF (format 0) MIDI Song to the instrument or a USB flash drive. A MIDI Song uses a small amount of data capacity in comparison to an Audio Song. MIDI recording allows you to record each part (such as right- and left-hand parts) separately. Since a MIDI Song can be edited, if you want to re-record a specific section or change parameters such as Voice, use this method. Since a MIDI Song can be converted to an Audio Song after recording, you may want to first use MIDI recording (with overdubbing and multiple parts) to create a complex arrangement you would not otherwise be able to play live, and then convert it to an Audio Song. This instrument allows you to record approximately 500 KB of data per Song.

- **Audio Recording**

With this method, recorded performances are saved to a USB flash drive as an Audio Song in WAV format (44.1 kHz, 16-bit, stereo). Audio input sound from the connected external device (computer, smartphone, audio player, etc.) can also be recorded along with your keyboard performance. This instrument allows you to record up to 80 minutes per single recording.

NOTE

- In this manual, "audio input sound" refers to audio data that is input to the instrument from connected external devices using one of these methods: USB Audio Interface function, Bluetooth Audio function (page 43), [AUX IN] jack (page 45) or Wi-Fi (page 47).
- MIDI Songs can be converted to Audio Songs from "File" > "MIDI to Audio" in the Song menu (page 51). For details, refer to the Reference Manual.

Recording to the instrument (MIDI recording)

This section explains how to record a new performance and save it to the instrument as a MIDI Song.

- 1. Make the necessary settings such as Voice selection.**

If you want to use functions such as Dual, Split and metronome, turn them on here.

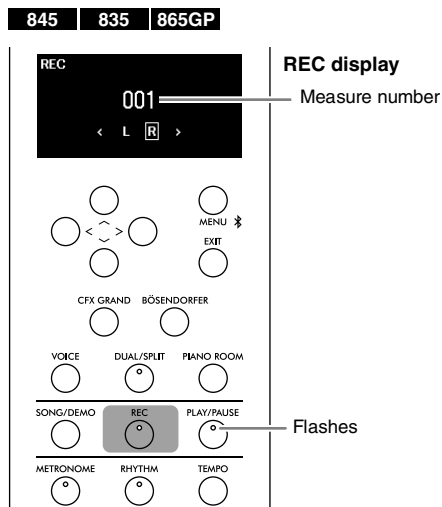
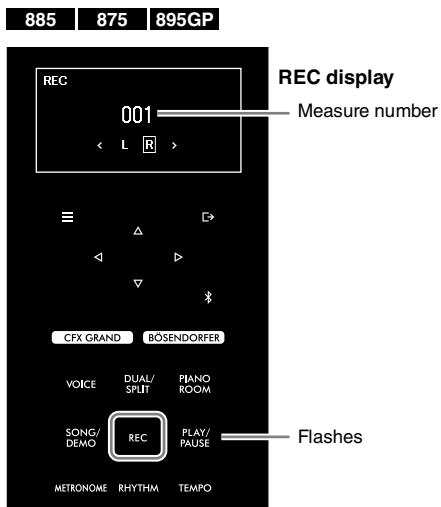
If you want to play back Rhythm, select it here, but make sure to start playback in step 3. If you start Rhythm playback here, going on to the next step stops playback.

NOTE

The metronome sound is not recorded. Rhythm is recorded by default; however, you can set whether Rhythm is recorded or not in the Recording menu (page 51).

- 2. Press the [REC] button to set recording to standby.**

The REC display appears and the [PLAY/PAUSE] button flashes.



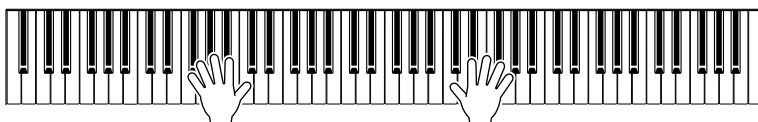
NOTE

If you press and hold the [REC] button for a while, a list appears letting you select the recording target Song (step 3 on page 39). From that list select “New MIDI.”

3. Start recording and play the keyboard.

Playing the keyboard automatically starts recording. If you want to record some silence at the start of the Song, press the [PLAY/PAUSE] button to start recording. While recording, the measure number in the display advances.

If you want to record with Rhythm playback, press the [RHYTHM] button at the timing you want to start Rhythm playback. To start recording and Rhythm playback at the same time, press the [RHYTHM] button to start recording.

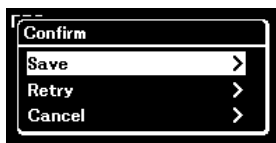


4. After you finish your performance, press the [REC] button again to stop recording.

5. In the “Confirm” display, use the [^]/[v] buttons to select “Save,” and then press the [>] button to save the data.

If you want to record again, select “Retry” and return to step 3.

If you do not want to save the data and exit from this display, select “Cancel.”



After the operation is completed, a “Save Completed” message appears and operation returns to the Song display. The recorded Song is named “USERSONG***” (***: number) and saved in the “User” category (page 31).

NOTICE

The recorded Song will be lost if you change to another Song or you turn the power off without executing the Save operation.

NOTE

You can rename the Song name as desired from “File” in the Song menu (page 51). For details, refer to the Reference Manual.

6. Press the [PLAY/PAUSE] button to listen to the recorded performance.

Recording to a USB flash drive (MIDI recording/Audio recording)

This section explains how to record a new performance and save it to the USB flash drive as a MIDI Song or an Audio Song.

NOTE

Before using a USB flash drive, be sure to read “Using the USB [TO DEVICE] terminal” on page 6.

1. Connect the USB flash drive to the USB [TO DEVICE] terminal.

2. Make the necessary settings such as Voice selection.

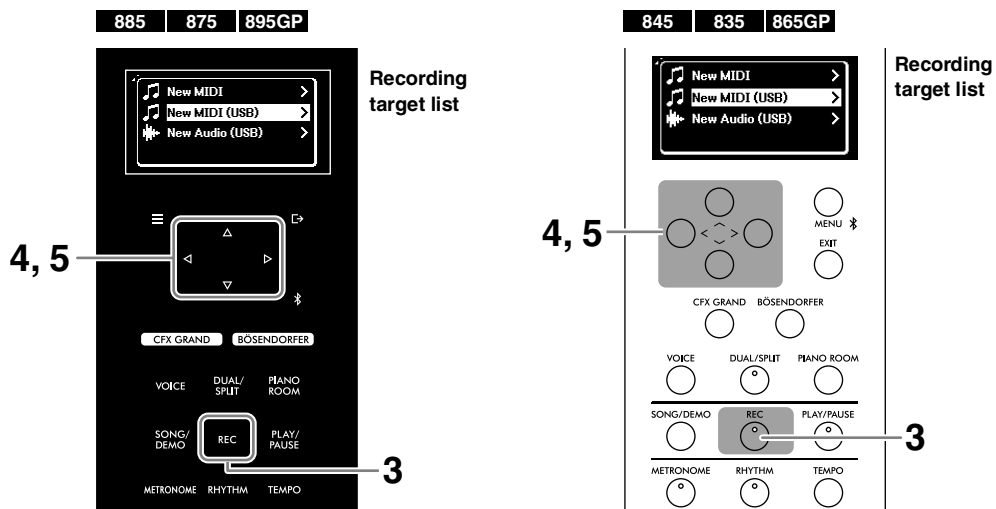
If you want to use functions such as Dual, Split and metronome, turn them on here.

If you want to play back Rhythm, select it here, but make sure to start playback in step 6. If you start Rhythm playback here, going on to the next step stops playback.

NOTE

The metronome sound is not recorded. Rhythm is recorded by default; however, you can set whether Rhythm is recorded or not in the Recording menu (page 51).

3. Press and hold the [REC] button for a second to call up a list of recording target Songs.



4. Use the [^]/[v] buttons to select “New MIDI (USB)” or “New Audio (USB).”

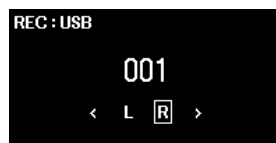
- **New MIDI (USB):** For recording a new MIDI Song and saving it to the USB flash drive.
- **New Audio (USB):** For recording a new Audio Song and saving it to the USB flash drive.

NOTE

- “New MIDI (USB)” and “New Audio (USB)” can be selected only when a USB flash drive is connected to the USB [TO DEVICE] terminal.
- “New MIDI” is for recording a new MIDI Song and saving it to the instrument (same as step 2 on page 37).

5. Press the [>] button to set recording to standby.

The REC display appears and the [PLAY/PAUSE] button flashes.



6. Follow the same operations as steps 3–6 on page 38.

The recorded Song will be named “USERSONG***.mid” for MIDI Songs, and “USERAUDIO***.wav” for Audio Songs (***: number), and is saved in the “USER FILES” folder of the USB flash drive.

Recording the right- and left-hand parts independently (MIDI recording)

With MIDI recording, you can record right-hand and left-hand parts independently and save them as a single Song. This lets you create a piece that would be difficult play live with both hands together. This can also be convenient for letting children practice, for example, by recording the performance of a parent or teacher, and having the child can play one hand part along with playback of the model part.

1. Make the necessary settings such as Voice selection.

If you want to save the recorded data to a USB flash drive, connect a USB flash drive to the USB [TO DEVICE] terminal.

2. Press the [REC] button to set recording to standby.

The REC display appears and the [PLAY/PAUSE] button flashes.



NOTE

To record to the USB flash drive, hold the [REC] button until the list of recording target Songs (step 3 on page 39) appears, and then select "New MIDI (USB)."

3. Use the [<]/[>] buttons to select the first part to record: "R" (Right-hand) or "L" (Left-hand).

4. Start recording and play the keyboard.

Playing the keyboard automatically starts recording. If you want to record some silence at the start of the Song, press the [PLAY/PAUSE] button to start recording.

5. After you finish your performance, press the [REC] button again to stop recording.

6. In the "Confirm" display, use the [^]/[v] buttons to select "Save," and then press the [>] button to save the data.

If you want to record again, select "Retry" and return to step 3.

If you do not want to save the data and exit from this display, select "Cancel."



After the operation is completed, a "Save Completed" message appears and operation returns to the Song display. The recorded Song will be named "USERSONG****" (***: number) and is saved in the "User" category (page 31).

NOTICE

The recorded Song will be lost if you change to another Song or you turn the power off without executing the Save operation.

7. Press the [PLAY/PAUSE] button to listen to the recorded performance.

8. Press and hold the [REC] button for a second to call up a list of the recording target Songs.

9. Use the [V] button to select the MIDI Song (at the bottom of the list) saved in step 6, and then press the [>] button.



10. Use the [<]/[>] buttons to select the second part to record: “R” (Right-hand) or “L” (Left-hand).



Track data status

- R** : Contains data
R : Contains no data

NOTICE

Keep in mind that recording your performance to a part (track) containing data will overwrite the previously recorded data.

11. Follow the same operations as steps 4–6, and overwrite the recorded data.

While recording, the previously recorded part is played back.

After saving the data, press the [PLAY/PAUSE] button to listen to the recorded performance.

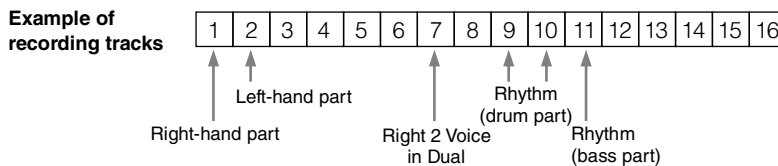
NOTE

- If you want to re-record one part after saving the data, start from step 8. If your desired Song is not shown in step 9, press the [SONG] button and select the desired Song, and then start from step 8 again. In step 10, select the part to re-record.
- To delete the data of one part, select the desired part (track) from “Edit” > “Track Delete” in the Song menu (page 51). “R” is the same as track 1, and “L” the same as track 2. For details, refer to the Reference Manual.

Overdubbing multiple parts (multi track recording)

With MIDI Recording, you can create a MIDI Song consisting of 16 tracks by recording your performance to each track one by one.

As described in the section above, the right-hand part was recorded to “R” (track 1), and then the left-hand part was recorded to “L” (track 2). In step 3 or 10, another track from Track 3 – Track 16 (Extra 3 – Extra 16) can be selected, allowing you to add recording data to additional tracks and save everything together as a Song. In this way, you can record a Duet Song only by yourself, or you can create even more complex Songs.



- When Dual/Split/Duo is on (page 27), only the Right 1 Voice (for Dual) and Right Voice (for Split/Duo) performance is recorded to the selected track. The Right 2 Voice (for Dual) will be recorded to the track number which is 6 plus the selected track, and the Left Voice (for Split/Duo) will be recorded to the track number which is 3 plus the selected track. If the track number exceeds 16, the track count starts again from the top.
- When recording the Rhythm (page 29), you cannot freely select desired tracks. The drum part is recorded to Tracks 9 and 10, and the bass part is recorded to Track 11.

NOTICE

Note that recording your performance to a track containing data will overwrite the previously recorded data. Take special notice when Dual, Split or Duo is on, because the recording tracks are automatically assigned. To see which track contains data, check the REC display (step 10 above).

NOTE

The data in each track can be played back individually from “Others” > “Play Track” in the Song menu (page 51). For details, refer to the Reference Manual.

Data recorded to MIDI Songs	
Data for each part <ul style="list-style-type: none"> • Note data (keyboard performance) • Voice selection • Pedal operations (Damper, Soft, Sostenuto) • Grand Expression Modeling data • Following settings that can be set in the Voice menu (page 51) <ul style="list-style-type: none"> - Voice Edit Octave, Volume, Reverb Depth, Chorus Depth, Effect, Effect depth, Pan, Harmonic Content, Brightness, Touch - Balance Detune (only when Dual is turned on) 	Data commonly for all parts <ul style="list-style-type: none"> • Scale • Tempo • Time Signature • Reverb type • Chorus type

Deleting the recorded Songs

You can delete Songs recorded and saved in the instrument or USB flash drive. You can delete the selected Song one by one, or delete all “User” category Songs in the instrument, or delete all Songs in the “USER FILES” folder of the connected USB flash drive.

NOTE

The Songs in the folder contained in the “USER FILES” folder of the USB flash drive are not deleted.

1. Select the desired Song (page 31) to delete.

To delete all “User” category Songs in the instrument or delete all Songs in the “USER FILES,” select any one of the Songs in the folder.

2. Press the [MENU] button several times to call up the Song menu (page 51).

3. Use the [^]/[v] buttons to select “File,” and then press the [>] button to call up the function.

Song menu



4. Use the [^]/[v] buttons to select “Delete” or “Delete All,” and then press the [>] button to actually select it.

5. Use the [^]/[v] buttons to select “Execute,” and then press the [>] button to actually execute the operation.

An “Executing” message appears. After the operation is completed, a “Completed” message appears and operation returns to the Song selection display.

NOTICE

Do not turn off the power or disconnect the USB flash drive while “Executing” is shown in the display. Doing so may damage the data.

NOTE

To delete the data of each part (track), use “Edit” > “Track Delete” in the Song menu (page 51). For details, refer to the Reference Manual.

Connecting to Other Devices

Connecting external devices to this instrument provides even greater convenience performance options. For information on the location of these connectors, refer to “Panel Controls and Terminals” on page 12.

CAUTION

Before connecting the instrument to other electronic devices, turn off the power of all the devices. Also, before turning any devices on or off, make sure to set all volume levels to minimum (0). Otherwise, damage to the devices, electrical shock, or even permanent hearing loss may occur.

NOTICE

Do not place any devices in an unstable position. Doing so may cause the device to fall and result in damage.

Listening to audio player playback through the instrument’s speakers

Connecting an audio player such as smartphone or tablet to the instrument allows you to output audio from that connected device from the instrument’s speakers. The audio player can be connected via the Bluetooth Audio function, [AUX IN] jack, or USB [TO HOST] terminal.

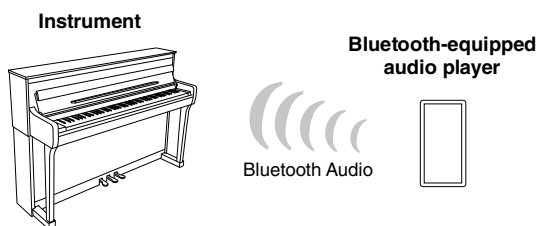
Connecting via Bluetooth (Bluetooth Audio function)

Before using the Bluetooth function, be sure to read “About Bluetooth” on page 7.

A Bluetooth-equipped audio player can be connected by the Bluetooth Audio function. Audio playback on the connected device is output from the built-in speakers of this instrument.

NOTE

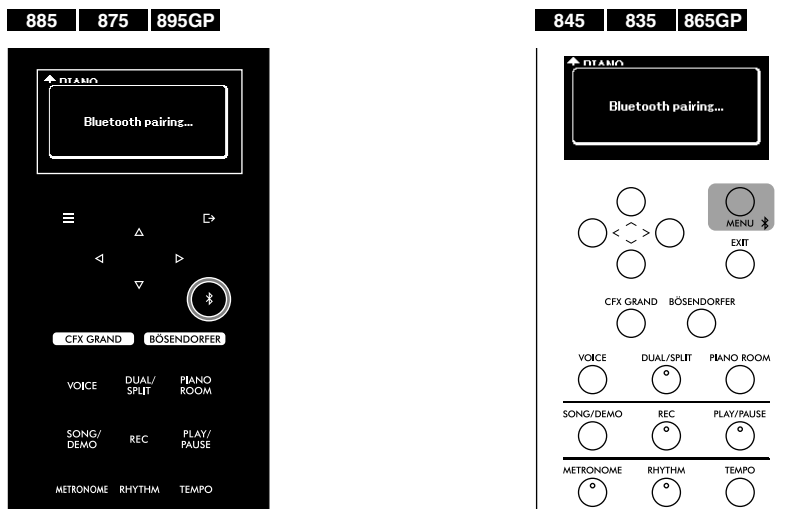
- Depending on the country in which you purchased the product, the instrument may not have Bluetooth capability (page 21).
- In order to use the Bluetooth function via wireless communication, the audio player must be equipped for transmitting audio data. For proper operation, the device must be compatible with A2DP (Advanced Audio Distribution Profile).
- Since this instrument cannot transmit audio data to external devices via Bluetooth, Bluetooth headphones or speakers cannot be connected.



To connect via Bluetooth, the Bluetooth function of this instrument should be turned on. By default, the Bluetooth function is set to on, however you can turn it on/off from “Bluetooth” in the System menu (page 51). For details, refer to the Reference Manual.

- 1. (CLP-885/CLP-875/CLP-895GP) Hold down the [] (Bluetooth) button for 3 seconds. (CLP-845/CLP-835/CLP-865GP) Hold down the [MENU] button for 3 seconds.**

A message appears indicating that the instrument is set to standby for pairing (registering) the Bluetooth-equipped device.



To cancel the pairing, press the [EXIT] button.

- 2. On the audio player, set the Bluetooth function to on and select “CLP-*** (model name) AUDIO” from the connection list.**

For details, refer to the audio player’s manual. After pairing is completed, the connection status will be shown in the display.



NOTE

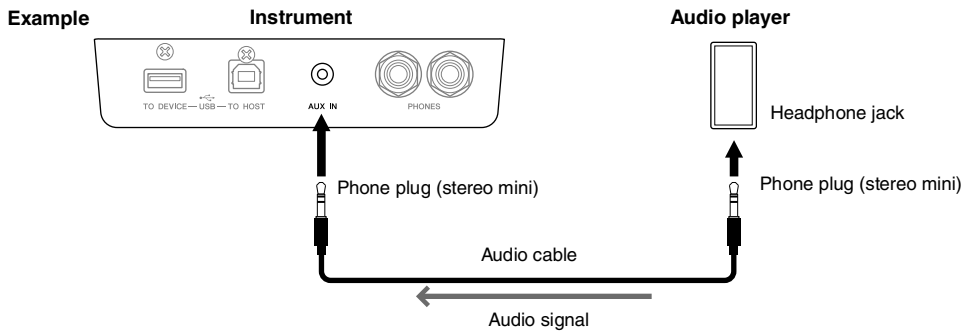
- Make sure to complete the settings on the audio player within 5 minutes.
- Only one Bluetooth-equipped audio player can be connected to this instrument at a time (although up to 8 audio players can be paired to this instrument). When pairing with the 9th audio player has succeeded, pairing data for the audio player with the oldest connection date will be deleted.

- 3. Play back audio data on the audio player to confirm that the speakers of the instrument can output audio sound.**

When you turn on the instrument the next time, the last-connected audio player will be connected to this instrument automatically, if the Bluetooth function of the audio player and the instrument is set to on. If it is not connected automatically, select the model name of the instrument from the connection list on the audio player again.

Connecting with an audio cable ([AUX IN] jack)

You can connect the headphone jack of an audio player to the instrument's [AUX IN] jack by using an audio cable. Audio playback on the connected device is output from the built-in speakers of this instrument.



NOTICE

To avoid damage to the devices, first turn on the power to the external device, and then to the instrument. When turning off the power, do in reverse: first turn off the power to the instrument, and then to the external device.

NOTE

Use audio cables and adaptor plugs having no (zero) resistance.

Connecting with a USB cable (USB [TO HOST] terminal)

By using a USB cable and a USB conversion adaptor, you can connect an audio player (or smart device such as smartphone) to the USB [TO HOST] terminal of the instrument. With this connection, the instrument can be used as a USB audio interface, allowing audio data to be transmitted and received between the instrument and the connected device. For details, refer to page 48.

NOTICE

Use an AB type USB cable of less than 3 meters. USB 3.0 cables cannot be used.

Using the convenient Smart Pianist app

By connecting to a smart device such as a smartphone or tablet and using Smart Pianist, you have access to a variety of exceptionally convenient functions, such as viewing music scores and recording your performances to the device. The intuitive visual interface also helps you confirm the current settings of the instrument.



For details on the app and compatible devices, access the website below and check the “Smart Pianist” page.

<https://yamaha.com/kbdapps/>

After installing the Smart Pianist app on your smart device, connect this instrument to the device via USB cables, Bluetooth or wireless LAN (Wi-Fi). For instructions on how to connect the device and use the app, refer to the “Smart Pianist User Guide.”

NOTICE

All settings on the instrument are replaced by the settings on Smart Pianist when the instrument is connected with Smart Pianist.

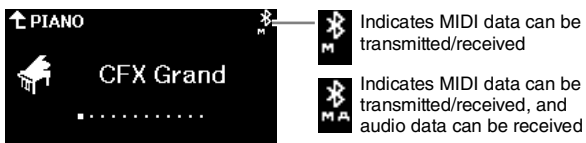
NOTE

While Smart Pianist is connected, you cannot use the control panel on the instrument. Use Smart Pianist to control the instrument. To disconnect Smart Pianist, close Smart Pianist on the smart device or press the [EXIT] button on the instrument.

Connecting via Bluetooth

Before using the Bluetooth function, be sure to read “About Bluetooth” on page 7.

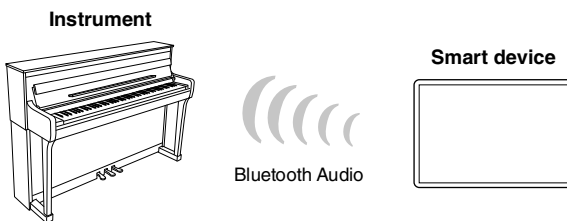
To connect the instrument and a smart device via Bluetooth, you need to make Bluetooth MIDI and Bluetooth Audio settings individually. In order to use Smart Pianist, Bluetooth MIDI connection is necessary. For listening to audio data on the smart device from the instrument, Bluetooth Audio connection is required as well. Once Bluetooth connection has been made successfully, the connection status appears on the display.



NOTE

- Depending on the country in which you purchased the product, the instrument may not have Bluetooth capability (page 21).
- When the device is connected by Bluetooth, you cannot record in audio format by using Smart Pianist. To enable audio recording, connect via USB cable (page 47) or Wi-Fi (page 47).

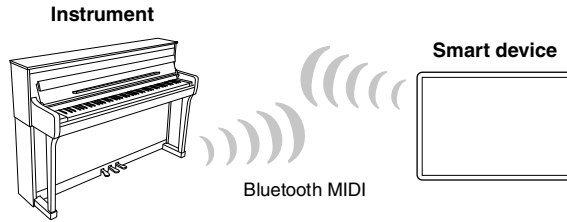
1. Connect the instrument and the smart device by Bluetooth Audio (page 44).



When the connection is successful, audio data can be received on the instrument. This lets you listen to audio playback on the smart device from the instrument’s speaker.

2. By using the Smart Pianist app, connect the instrument and the smart device by Bluetooth MIDI.

For details on connection, refer to the “Smart Pianist User Guide.” Make sure to select “CLP-*** (model name) MIDI” for pairing.



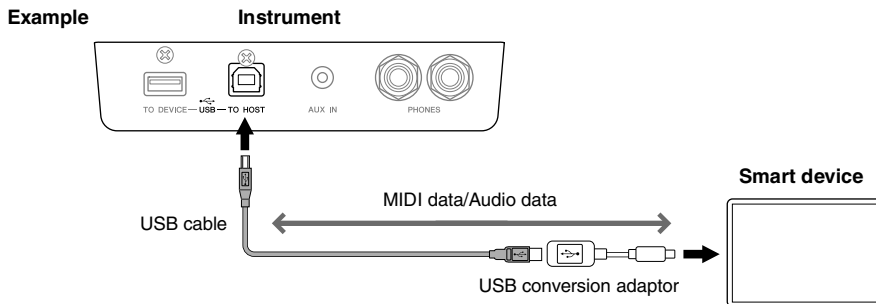
When the connection is successful, MIDI data can be transmitted/received between the instrument and the smart device. This lets you record your keyboard performance in MIDI format to the smart device, or listen to the MIDI Song played on the smart device from the instrument's speaker.

Connecting with a USB cable (USB [TO HOST] terminal)

By using a USB cable and a USB conversion adaptor, you can connect a smart device to the USB [TO HOST] terminal on the instrument. For instructions on connection, refer to “Smart Pianist User Guide.”

NOTICE

Use an AB type USB cable of less than 3 meters. USB 3.0 cables cannot be used.



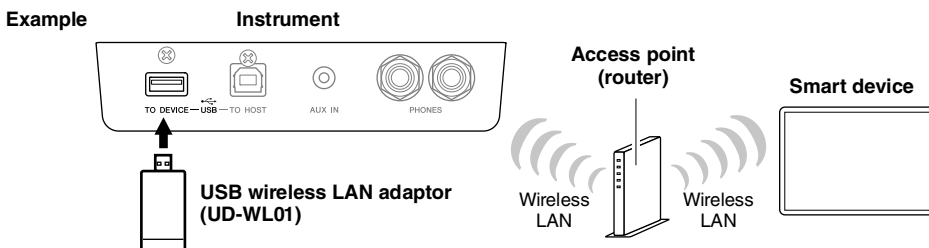
Connecting via wireless LAN (Wi-Fi) by using the UD-WL01 (sold separately)

To enable Wi-Fi connection, the separately sold UD-WL01 USB wireless LAN adaptor is required. Connect the USB wireless LAN adaptor to the USB [TO DEVICE] terminal. Before using the USB wireless LAN adaptor, be sure to read “Using the USB [TO DEVICE] terminal” on page 6.

For instructions on connection, refer to “Smart Pianist User Guide.”

NOTICE

Do not connect this product to a public Wi-Fi and/or Internet service directly. Only connect this product to the Internet through a router with strong password protections. Consult your router manufacturer for information on optimum security practices.



The instrument can be connected via Wi-Fi directly without need of an access point. However, in this condition Internet access will be disabled on your smart device, and some functions of Smart Pianist (such as data export/import to and from online storage, firmware update) cannot be used.

NOTE

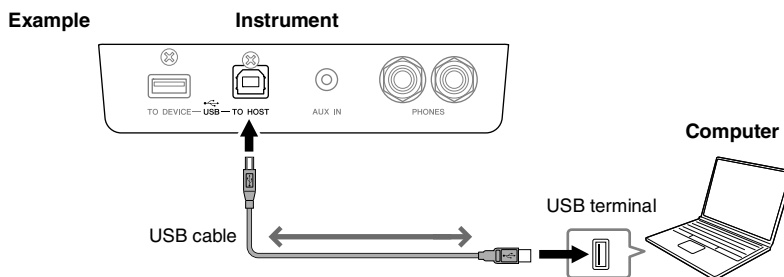
- The USB wireless LAN adaptor (UD-WL01) may not be available depending on your area.
- An "access point" refers to a device which acts as a base station when data is transmitted/received via a USB wireless LAN adaptor. Some access points are combined with router or modem functions.

Interfacing with a Computer

By connecting a computer to the USB [TO HOST] terminal with a USB cable, you can use the instrument as a USB audio/MIDI interface for transmitting/receiving MIDI data and audio data between the instrument and the computer. Among the various possibilities are being able to play the instrument and record performance data by using the computer, or playing music data on the computer and listening to it on the instrument.

NOTICE

- Use an AB type USB cable of less than 3 meters. USB 3.0 cables cannot be used.
- If you are using a DAW (digital audio workstation) application with this instrument, set the Audio Loopback function to off (page 49). Otherwise, a loud sound may occur, depending on the settings of the computer.

**NOTE**

- When using a USB cable to connect the instrument to your computer, make the connections directly without passing through a USB hub.
- The instrument will begin transmission a short time after the USB connection is made.
- Unexpected sounds may occur if you edit MIDI data related to the Grand Expression Modeling effect (page 24) on a computer.

Transmitting/Receiving Audio Data (USB Audio Interface function)

By connecting a computer or a smart device to the USB [TO HOST] terminal via a USB cable, digital audio data can be transmitted/received. This USB Audio Interface function provides the following advantages:

- **Playing back audio data with high sound quality**

This gives you direct, clear sound in which the sound quality has less noise and deterioration than that from the [AUX IN] jack.

- **Recording performance on the instrument as audio data by using a recording software or a music production software**

The recorded audio data can be played back on the computer or smart device.

NOTE

- Depending on the model or OS of the computer and smart device, noise may occur, or this function may not be available.
- When transmitting or receiving audio signals by using a computer running Windows, if operation is unstable or delays occur, use the "Yamaha Steinberg USB Driver." On the website below, search for "Yamaha Steinberg USB Driver" and install it on the computer. For instructions on installing the driver, refer to the Installation Guide included with the download file.
<https://download.yamaha.com/>

Turning Audio Loopback on/off

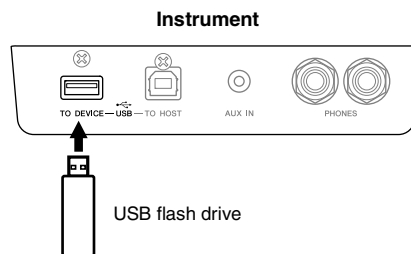
This allows you to set whether audio input sound from the connected computer or smart device is output to a computer or a smart device or not along with the performance played on the instrument. To output the audio input sound, set the Audio Loopback to “On.” For example, if you want to record the audio input sound as well as the sound played on the instrument by using the connected computer or smart device, set this to “On.” If you intend to record only the sound played on the instrument by using the computer or smart device, set this to “Off.” This is set to “On” by default; however, the setting can be changed via “Utility” > “Audio Loopback” in the System menu (page 51).

NOTE

- In this manual, “audio input sound” refers to audio data that is input to the instrument from connected external devices using one of these methods: USB Audio Interface function, Bluetooth Audio function (page 43), [AUX IN] jack (page 45) or Wi-Fi (page 47).
- The sound cannot be output to a device connected by Bluetooth or the [AUX IN] jack.
- With Audio recording on this instrument (page 39), the audio input sound from the external device is recorded when this is set to on, while the sound is not recorded when this is set to off. However, when the devices are connected via the Bluetooth Audio or [AUX IN] jack, the input sounds are always recorded regardless of the Audio Loopback on/off setting.

Connecting a USB flash drive

A USB flash drive can be connected to the USB [TO DEVICE] terminal, allowing you to save data you have recorded on the instrument to the USB flash drive (page 39), or play back data contained in the USB flash drive from the instrument (page 31). Before using the USB [TO DEVICE] terminal, be sure to read “Using the USB [TO DEVICE] terminal” on page 6.



When a message appears on the display indicating that the USB flash drive has not been formatted, format it from “Utility” > “USB Format” in the System menu (page 51).

NOTICE

- **Executing the Format operation will delete all data saved in the USB flash drive. Save important data to a computer or another storage device.**
- **When turning off the instrument, make sure that the instrument is NOT accessing the USB flash drive by playback/recording or file management (such as during Save, Copy, Delete and Format operations). Failure to do so may corrupt the USB flash drive and the data.**

NOTE

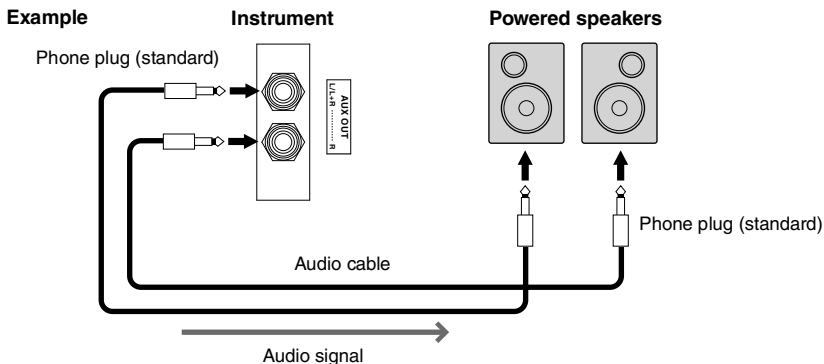
Although USB devices 2.0 or 3.0 can be used on this instrument, the amount of time for saving to or loading from the USB device may differ depending on the type of data or the status of the instrument.

Outputting the instrument sound to external speakers

You can connect speakers to the AUX OUT [L/L+R]/[R] jacks by using audio cables to output the sound played on the instrument to the connected devices.

NOTICE

- To avoid possible damage, first turn on the power to the instrument, and then to the external device. When turning off the power, first turn off the power to the external device, and then to the instrument. Since this instrument's power may automatically be turned off due to the Auto Power Off function (page 17), turn off the power to the external device, or disable Auto Power Off when you do not intend to operate the instrument.
- Do not route the output from the AUX OUT jacks to the [AUX IN] jack. If you make this connection, the signal input at the [AUX IN] jack is output from the AUX OUT jacks. These connections could result in a feedback loop that will make normal performance impossible, and may even damage the equipment.



NOTE

- Use only the [L/L+R] jack for connection with a monaural device.
- When you are monitoring the sound output via the AUX OUT jacks from headphones connected to the instrument, we recommend that you turn off Binaural from "Sound" > "Binaural" in the System menu (page 51). For details, refer to the Reference Manual.

Making Various Settings in the Menu Display

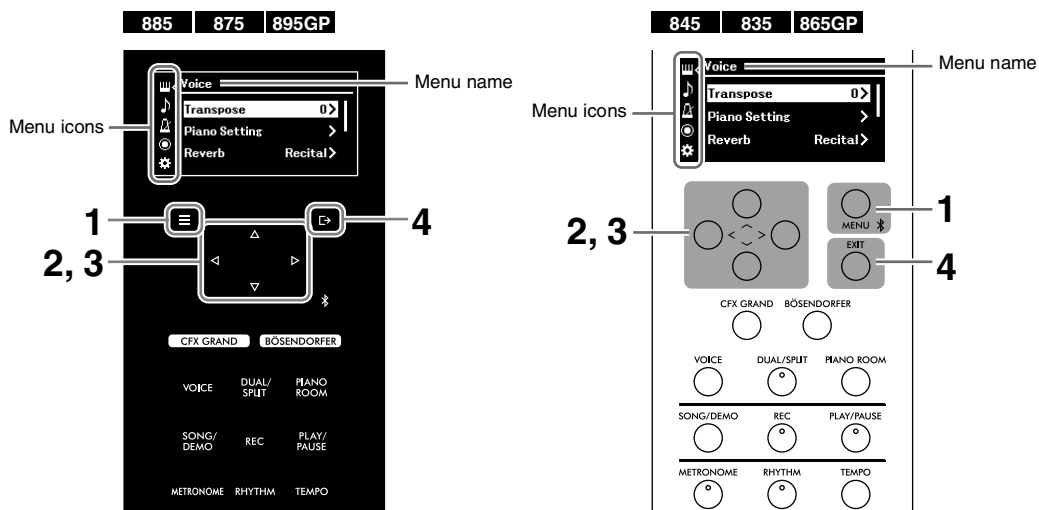
Pressing the [MENU] button calls up the Menu display. The Menu display contains five menus and allows you to make settings related to Voice, Song, Metronome/Rhythm, Recording and System (overall settings for the instrument). This section explains the basic operations in the Menu display. For details on each menu, refer to the Reference Manual.

For the following, you will need to make additional settings before opening the Menu display.

- **When you want to edit Voice-related parameters:**
Select a Voice. If you want to edit Voices in Dual/Split/Duo, turn on the desired function.
- **When you want to edit Song-related parameters:**
Select a Song.

1. Press the [MENU] button several times to select the desired menu.

Pressing the button repeatedly switches among the menus. The menu name shown at the top of the display and the icon at left indicate the selected menu.



Voice menu	For making keyboard performance settings (pedal function, volume balance in Dual/Split/Duo, transpose, etc.), and for editing Voices.
Song menu	For making Song playback settings (repeat playback, volume, transpose, etc.), for editing Songs, and for handling Song files.
Metronome/ Rhythm menu	For adjusting the metronome and rhythm volume, setting the metronome time signature, and making rhythm related settings.
Recording menu	For making MIDI recording settings.
System menu	For making settings for the entire instrument (tuning, sound, Auto Power Off, display brightness, etc.), formatting a USB flash drive, and backing up the instrument settings.

2. Use the [^]/[v]/[<]/[>] buttons to select the desired parameter.

3. Use the [<]/[>] buttons to change the setting or execute the operation.

To reset the selected item to the default value on the CLP-885, CLP-875 and CLP-895GP, press and hold the [MENU] button until the value is reset. On the CLP-845, CLP-835 and CLP-865GP, press the [<] and [>] buttons simultaneously.

4. To exit from the Menu display, press the [EXIT] button.

Appendix

Voice List

The preset Voices that are available differ among the models. The rows of the model names indicate if the model(s) have the corresponding preset Voices or not.

- : Yes (with Voice Demo)
- : Yes (without Voice Demo)
- : No

✓: Yes, –: No

CLP-885 CLP-895GP	CLP-875 CLP-845 CLP-835 CLP-865GP	Voice Category	Voice Name	Description	Stereo Sam- pling	Touch Sen- sitivity	Key-off Sam- pling	VRM
●	●	PIANO	CFX Grand	Yamaha's CFX concert grand piano sound with a wide dynamic range for maximum expressive control. Suitable for playing in any music genre and style. When this Voice is selected, connecting the headphones automatically enables binaural sampling sound.	✓	✓	✓	✓
●	●		Bösendorfer	The famed sound of the Vienna-made Bösendorfer Imperial concert grand piano. Its spacious sound evokes the size of the instrument, and is ideal for expressing tenderness in compositions. When this Voice is selected, connecting the headphones automatically enables binaural sampling sound.	✓	✓	✓	✓
●	●		Upright Piano	The sound sampled from an upright piano, the Yamaha SU7. Enjoy the unique tonal character and a lighter, more casual feel.	✓	✓	–	✓
●	–		Studio Grand	The sound of Yamaha's C7 grand piano, which is often used in recording studios. Its bright and clear sound is good for popular styles.	✓	✓	✓	✓
○	–		Ballad Grand	Grand piano sound with a soft and warm tone. Good for playing ballads.	✓	✓	✓	✓
○	○		Jazz Grand	A piano sound with unique tonal character. Good for jazz styles.	✓	✓	✓	✓
○	○		Rock Grand	A bright-sounding piano. Ideal for rock styles.	✓	✓	✓	✓
○	○		Warm Grand	Warm and soft piano sound. Good for relaxing music.	✓	✓	✓	✓
○	●		Bright Grand	Bright piano sound. Good for clear expression and "cutting through" other instruments in an ensemble.	✓	✓	✓	–
●	●		Chill out Piano	A heavily processed piano sound with deep reverb. Good for relaxing music.	✓	✓	✓	–
●	●		Lo-Fi Piano	A warm piano sound typical of vintage vinyl records. Good for styles such as early rock 'n' roll or classic rock.	✓	✓	✓	–
○	○		HonkyTonk Pf	A honky-tonk style piano. Enjoy a tonal character that is quite different than a grand piano.	✓	✓	–	✓
●	–		FORTE PIANO	Scarlatti Piano	The sound of a piano made by a musical instrument maker in Florence in the early 18th century. The maker is famous for inventing the piano. It is believed that Scarlatti used the piano made by the maker. The sound is bright and brilliant.	✓	✓	✓
●	●	Mozart Piano		The sound of a piano made by a musical instrument maker in Vienna in the late 18th century. Mozart and Beethoven played and highly appreciated the piano made by this manufacturer. Its sound is clear and light.	✓	✓	–	–

CLP-885 CLP-895GP	CLP-875 CLP-845 CLP-835 CLP-865GP	Voice Category	Voice Name	Description	Stereo Sam- pling	Touch Sensi- tivity	Key-off Sam- pling	VRM
●	–	FORTE PIANO	Beethoven Piano	The sound of a piano made by a piano manufacturer in London in the early 19th century. Haydn and Beethoven composed many masterpieces inspired by the pianos of this manufacturer. It features a rich bass, sparkling highs and energetic fortissimo.	✓	✓	✓	–
●	●		Chopin Piano	The sound of a piano made by a piano manufacturer in Paris in the 19th century. Chopin deeply loved the pianos of this manufacturer, which responded well to his sensitive touch. It has a sound like a singing voice, sometimes luscious, sometimes mournful.	✓	✓	–	–
●	●	E.PIANO	Stage E.Piano	The sound of an electric piano using hammer-struck metallic "tines." Soft tone when played lightly, and an aggressive tone when played hard.	–	✓	✓	–
●	●		DX E.Piano	An electronic piano sound produced by an FM synthesizer. The tone will change as you vary your playing touch. Ideal for popular music.	–	✓	–	–
●	●		Vintage EP	The sound of an electric piano using hammer-struck metal reeds. Widely used in rock and popular music.	–	✓	✓	–
○	○		Soft EP	An electric piano with a characteristic panning effect. Good for playing quiet ballads.	–	✓	✓	–
○	○		Phaser EP	A distinctive phaser effect makes this ideal for fusion styles.	–	✓	✓	–
○	○		DX Bright	A variation of electronic piano sound produced by an FM synthesizer. Its bright and sparkling sound character spice up the music.	–	✓	–	–
○	○		Tremolo Vintage	Includes tremolo ideal for Vintage EP. Frequently used in rock music.	–	✓	✓	–
●	–	ORGAN	Organ GrandJeu	A registration sound famous for use in French organ compositions. This dramatic sound is ideal for ending a performance.	✓	–	–	–
○	●		Organ Principal	This Voice features the combination of pipes (8'+4'+2') of a principal (brass instrument) organ. It is suitable for Baroque church music.	✓	–	–	–
●	●		Organ Tutti	This Voice features a full coupler of a pipe organ, famous for the sound used in Toccata and Fugue by Bach.	✓	–	–	–
●	●		Jazz Organ 1	The sound of an electric organ often heard in jazz and rock idioms. A slightly brighter sound in which the Rotary effect is set to a slow speed. * You can switch the speed of the Rotary effect between slow and fast by pressing the left pedal.	–	–	–	–
○	○		Jazz Organ 2	The sound of an electric organ often heard in jazz and rock idioms. The Rotary effect is set to a fast speed. * You can switch the speed of the Rotary effect between slow and fast by pressing the left pedal.	–	–	–	–
○	○		Rock Organ	Bright and sharp electric organ sound. Optimum for rock music.	–	–	–	–
○	–		Organ Flute 1	A pipe organ sound that combines flute-type (woodwind type) stops of different pitches (8' + 4'). This is a gentle sound that is ideal for accompanying hymns.	✓	–	–	–
○	–		Organ Flute 2	A pipe organ sound that combines flute-type (woodwind type) stops of different pitches (8' + 4' + 1-1/3'). This is brighter than Organ Flute 1, and is suitable for solos.	✓	–	–	–

CLP-885 CLP-895GP	CLP-875 CLP-845 CLP-835 CLP-865GP	Voice Category	Voice Name	Description	Stereo Sam- pling	Touch Sensi- tivity	Key-off Sam- pling	VRM
●	●	STRINGS	Strings	Large-scale strings ensemble with realistic reverb. Try combining this Voice with piano in Dual.	✓	✓	–	–
○	○		Slow Strings	The sound of a string ensemble, with a slow attack. Suitable for use in Dual with piano or electric piano.	✓	✓	–	–
●	●		Choir	A big, spacious choir Voice. Perfect for creating rich harmonies in slow pieces.	✓ (CLP- 885/ CLP- 895GP only)	✓	–	–
○	○		Slow Choir	The sound of a choir with a slow attack. Suitable for use in Dual with piano or electric piano.		✓	–	–
○	–		Mellow Strings	A mellow string ensemble. Enjoy a tonal character that is different from a Strings.	✓	✓	–	–
●	–		Dark Pad	Warm and spacious synth sound. Ideal for sustained parts in the background of an ensemble, or for use in Dual with piano or electric piano.	–	✓	–	–
○	–		Lite Pad	Bright and spacious synth sound. Ideal for sustained parts in the background of an ensemble, or for use in Dual with piano or electric piano.	–	✓	–	–
○	–		Bell Pad	Synth sound with a crisp, bell-like sound. Ideal for layering in Dual with a piano or electric piano sound, but also produces a bright, gorgeous sound on its own.	✓	✓	–	–
–	●		Synth Pad	A warm, mellow, and spacious synth sound. Ideal for sustained parts in the background of an ensemble, or for use in Dual with piano or electric piano.	–	✓	–	–
●	●	BASS	Acoustic Bass	The sound of a finger-plucked upright bass. Frequently used in jazz and Latin music.	–	✓	–	–
○	○		Bass & Cymbal	The sound of a cymbal has been layered onto the bass. Effective when used for jazz walking-bass lines.	–	✓	–	–
●	●		Electric Bass	The sound of an electric bass. Frequently used in jazz, rock, and popular music.	–	✓	–	–
●	●		Fretless Bass	The sound of a fretless bass. Suitable for styles such as jazz and fusion.	–	✓	–	–
○	–		Vintage Bass	A different type of electric bass with a soft and warm sound.	–	✓	–	–
●	●	OTHERS	Harpichord 8'	The sound of the instrument frequently used in baroque music. Variations in playing touch will not affect the volume, and a characteristic sound will be heard when you release the key.	✓	–	✓	–
○	○		Harpsi. 8'+4'	A harpsichord with an added upper octave. Produces a more brilliant sound.	✓	–	✓	–
●	–		Harp	This sound was sampled from a grand harp. This sound, with a bright attack, is ideal for playing gorgeous phrases.	–	✓	–	–
●	●		Vibraphone	A Vibraphone with spacious and clear sound. Ideal for popular music. Pressing the left pedal switches Vibrato on and off.	✓	✓	–	–
○	–		Marimba	A marimba sound, sampled in stereo for spaciousness and realism.	✓	✓	–	–
○	–		Celesta	The sound of a celesta (a percussion instrument in which hammers strike metallic bars to produce sound). This instrument is well-known for its appearance in "Dance of the Sugar-plum Fairies" from Tchaikovsky's "Nutcracker Suite."	✓	✓	–	–

CLP-885 CLP-895GP	CLP-875 CLP-845 CLP-835 CLP-865GP	Voice Category	Voice Name	Description	Stereo Sam- pling	Touch Sensi- tivity	Key-off Sam- pling	VRM
●	●	OTHERS	Nylon Guitar	Stereo-sampled, nylon-string guitar with natural reality. Suitable for any style of musics.	✓	✓	–	–
○	○		Steel Guitar	A bright steel-string guitar sound. Ideal for popular music.	–	✓	–	–
○	–		Scat	You can enjoy jazz “scatting” with this Voice. Depending on how hard and what note range you play, different sounds will be produced.	–	✓	–	–
●	–	XG	–	For details on XG Voices, refer to the “Data List” on the website.	–	✓	–	–

- **Key-off Sampling:** Samples of the very delicate noises that are produced when keys are released.
- **VRM (Virtual Resonance Modeling):** Simulated string resonance sound with physical modeling when the damper pedal is pressed or keys are pressed. Grand Expression Modeling is effective for VRM Voices. Effects cannot be applied to the VRM Voices.

Voice Demo List

The Voice Demos below are short rearranged excerpts of the original compositions. All other Demo Songs are Yamaha original (© Yamaha Corporation).

CLP-885 CLP-895GP	CLP-875 CLP-845 CLP-835 CLP-865GP	Voice Category	Voice Name	Title	Composer
●	●	PIANO	CFX Grand	Ungarische rhapsodie “Preludio” E-Dur	F. Liszt
●	●		Bösendorfer	Widmung S.566 R.253	F. Liszt / R. Schumann
●	●		Upright Piano	Sonatine F dur Anh.5(2) 1st mov.	L. v. Beethoven
●	–	FORTE PIANO	Scarlatti Piano	Sonata G dur K.14 L.387	G. D. Scarlatti
●	●		Mozart Piano	Sontata No.15 C dur K.545 1st mov.	W. A. Mozart
●	–		Beethoven Piano	Für Elise a moll	L. v. Beethoven
●	●		Chopin Piano	Nocturne op.27-2 Des dur	F. F. Chopin
○	●	ORGAN	Organ Principal	Herr Christ, der ein'ge Gottes-Sohn BWV 601	J. S. Bach
●	●	OTHERS	Harpsichord 8'	Concerto a cembalo obbligato, 2 violini, viola e continuo No.7 g moll BWV 1058 1st mov.	J. S. Bach

Rhythm List

No.	Name
Pops&Rock	
1	8Beat
2	16Beat
3	Shuffle1
4	Shuffle2
5	Shuffle3
6	Gospel
7	8BeatBallad
8	6-8SlowRock
Jazz	
9	FastJazz
10	SlowJazz
11	Swing
12	JazzWaltz
Latin	
13	Samba
14	BossaNova
15	Rumba
16	Salsa
Kids&Holiday	
17	KidsPop
18	6-8March
19	ChristmasSwing
20	Christmas3-4

Song List

50 Classics

No.	Song Title	Composer
Arrangements		
1	Canon D dur	J. Pachelbel
2	Air On the G String	J. S. Bach
3	Jesus, Joy of Man's Desiring	J. S. Bach
4	Twinkle, Twinkle, Little Star	Traditional
5	Piano Sonate op.31-2 "Tempest" 3rd mov.	L. v. Beethoven
6	Ode to Joy	L. v. Beethoven
7	Wiegenlied op.98-2	F. P. Schubert
8	Grande Valse Brillante	F. F. Chopin
9	Polonaise op.53 "Héroïque"	F. F. Chopin
10	La Campanella	F. Liszt
11	Salut d'amour op.12	E. Elgar
12	From the New World	A. Dvořák
13	Sicilienne	G. U. Fauré
14	Clair de lune	C. A. Debussy
15	Jupiter (The Planets)	G. Holst
Duets		
16	Menuett (Eine kleine Nachtmusik K.525)	W. A. Mozart
17	Menuett G dur	L. v. Beethoven
18	Marcia alla Turca	L. v. Beethoven
19	Piano Concerto No.1 op.11 2nd mov.	F. F. Chopin
20	The Nutcracker Medley	P. I. Tchaikovsky
Original Compositions		
21	Prelude (Wohltemperierte Klavier I No.1)	J. S. Bach
22	Menuett G dur BWV Anh.114	J. S. Bach
23	Piano Sonate No.15 K.545 1st mov.	W. A. Mozart
24	Turkish March	W. A. Mozart
25	Piano Sonate op.13 "Pathétique" 2nd mov.	L. v. Beethoven
26	Für Elise	L. v. Beethoven
27	Piano Sonate op.27-2 "Mondschein" 1st mov.	L. v. Beethoven
28	Impromptu op.90-2	F. P. Schubert
29	Frühlingslied op.62-6	J. L. F. Mendelssohn
30	Fantaisie-Impromptu	F. F. Chopin
31	Etude op.10-3 "Chanson de l'adieu"	F. F. Chopin
32	Etude op.10-12 "Revolutionary"	F. F. Chopin
33	Valse op.64-1 "Petit chien"	F. F. Chopin
34	Nocturne op.9-2	F. F. Chopin
35	Nocturne KK4a-16/Bl 49 [Posth.]	F. F. Chopin
36	Träumerei	R. Schumann
37	Barcarolle	P. I. Tchaikovsky
38	La prière d'une Vierge	T. Badarzewska
39	Liebesträume No.3	F. Liszt
40	Blumenlied	G. Lange
41	Humoresque	A. Dvořák
42	Arietta	E. H. Grieg
43	Tango (España)	I. Albéniz
44	The Entertainer	S. Joplin
45	Maple Leaf Rag	S. Joplin

No.	Song Title	Composer
46	La Fille aux Cheveux de Lin	C. A. Debussy
47	Arabesque No.1	C. A. Debussy
48	Cakewalk	C. A. Debussy
49	Je te veux	E. Satie
50	Gymnopédies No.1	E. Satie

Lesson Songs

Album Title	No./Song Title	Composer	
Vorschule im Klavierspiel op.101	1–106	F. Beyer	
25 Etudes faciles et progressives op.100	1	La candeur	J. F. Burgmüller
	2	Arabesque	
	3	Pastorale	
	4	Petite réunion	
	5	Innocence	
	6	Progrès	
	7	Courant limpide	
	8	La gracieuse	
	9	La chasse	
	10	Tendre fleur	
	11	La bergeronnette	
	12	Adieu	
	13	Consolation	
	14	La styrienne	
	15	Ballade	
	16	Douce plainte	
	17	Babilarde	
	18	Inquiétude	
	19	Ave Maria	
	20	Tarentelle	
	21	Harmonie des anges	
	22	Barcarolle	
	23	Retour	
	24	L'hirondelle	
	25	La chevaleresque	
100 Übungsstücke op.139	1–100	C. Czerny	
30 Etudes de mécanisme op.849	1–30	C. Czerny	
The Virtuoso Pianist	1–20 1-Variation. 1–22	C-L. Hanon	

*The Lesson Songs are original compositions.

About the Duet Songs

The Songs listed below are Duet Songs.

- Nos. 16-20 of "50 Classics"
- Nos. 1–11 of the Vorschule im Klavierspiel op.101 of "Lesson Songs" as well as 32–34, 41–44, 63–64, and 86–87

The "R" (right-hand) part is for the right hand of the first player, the "L" (left-hand) part is for the left hand of the first player, and the "Extra" part is for both hands of the second player.

Message List

Certain message displays may remain open. If this happens, press the [EXIT] button to close the message display.

Messages	Description
Access error	The operation has failed. The following causes can be considered. <ul style="list-style-type: none"> • The file operation is wrong. Follow the instructions in the Reference Manual, “File” section in the Song menu or the “Backup” section in the System menu. • The connected USB device is not compatible with this instrument. Use a device whose compatibility has been confirmed by Yamaha (page 6). • The file may be damaged.
Bluetooth pairing...	The instrument is standing by for Bluetooth pairing. For details, refer to page 44.
Cannot be executed	The following causes can be considered. <ul style="list-style-type: none"> • This message appears when you attempt to perform a file operation to a preset Song or an Audio Song. For details on the limitations of file operation, refer to the Song menu chapter on the Reference Manual. • The [PIANO ROOM] button has been pressed while a Voice that doesn't allow use of the Piano Room function has been selected. Select “CFX Grand,” “Bösendorfer” or any other PIANO category Voices having VRM effects (page 52) to apply the settings.
Change to Current Tempo	The tempo of the selected MIDI Song will be changed to the current tempo and overwritten. For details, refer to the Song menu chapter in the Reference Manual.
Change to Current Voice	The Voice of the selected MIDI Song will be changed to the current Voice and overwritten. For details, refer to the Song menu chapter in the Reference Manual.
Completed	The operation is complete. Go on to the next step.
Completed Restart now	Restore is complete. The instrument will be automatically restarted.
Convert canceled	Conversion from MIDI Song to Audio Song is canceled.
Convert completed to USB/ USERFILES/	The MIDI Song has been converted to an Audio Song and saved to the “USER FILES” folder in the USB flash drive.
Convert to Audio	The MIDI Song is being converted to an Audio Song.
Copy completed to USB/ USERFILES/	The Song in the “User” location on the instrument has been copied to the “USER FILES” folder in the USB flash drive.
Copy completed to User	The Song in the USB flash drive has been copied to the “User” location on this instrument.
Device busy	The operation, such as Audio Song playback/recording or MIDI to Audio conversion, has failed. This message appears when you attempt to use a USB flash drive to which recording/deleting operations have been repeated. Format the USB flash drive after making sure there is no important data in it, and try again. To format the USB flash drive, execute “Utility” > “USB Format” in the System menu (page 51).
Device removed	The USB flash drive has been removed from the USB [TO DEVICE] terminal.
Duplicate name	This message indicates that an identically named file already exists. Rename the file.
Executing	Executing the operation. Wait until the message disappears, and then go on to the next step.
Factory reset completed Restart	Factory reset is complete. The instrument will be restarted.
Factory reset executing Memory Song excluded	The instrument is now being reset to the default settings. The Songs in the “User” (page 31) and Bluetooth pairing information (page 44) will not be cleared.

Messages	Description
Incompatible device	An incompatible USB device is connected. Use a device whose compatibility has been confirmed by Yamaha (page 6).
Internal hardware error	A malfunction has occurred in the instrument. Contact your nearest Yamaha dealer or authorized distributor.
Last power off invalid Checking memory	This message appears when the power is turned on after turning off the power while handling a Song file or saving a backup file. The internal memory is being checked while this message appears. If the internal settings are damaged, they will be reset to the default settings. If the Songs in the "User" location are damaged, they will be deleted. Wait until the message disappears, and then use the instrument.
Maximum no. of devices exceeded	The number of devices exceeds the limitation. Only one USB device can be connected to the USB [TO DEVICE] terminal.
Memory full	Since the capacity and the number of files in the "User" or the USB flash drive are full, the operation cannot be completed. Delete some unnecessary Songs (page 42) and try again.
Move completed to USB/ USERFILES/	The Song in the "User" on this instrument has been moved to the "USER FILES" folder in the USB flash drive.
Move completed to User	The Song in the USB flash drive has been moved to the "User" location on this instrument.
No device	No USB flash drive has been connected to the USB [TO DEVICE] terminal. Connect a USB flash drive, and execute the operation again.
No response from USB device	The instrument cannot communicate with the connected USB device. Redo the connection. If you still see this message, the USB device may be damaged.
Please wait	The instrument is processing the data. Wait until the message disappears, and then go on to the next step.
Protected device	You are attempting to record or save the data to a write-protected USB flash drive. Disable write-protect, if possible, and try again. If you still see this message, the USB flash drive is internally protected. You cannot write any data to such a drive.
Read-only file	You attempted a file operation to a read-only file. Use a read-only file after disabling the read-only setting.
Remaining space on drive is low	Since the remaining memory on the "User" drive or USB flash drive is low, delete any unnecessary files (page 42) before recording.
Same file name exists	This message appears if an identically named file already exists when performing a file operation (Copy/Move/MIDI to Audio). Select to overwrite the file or to cancel the operation.
Song error	A problem has been found with the Song data. Reselect the Song, and try again to play back. If the message still appears, the Song data may have been damaged.
Song too large	The following causes can be considered. <ul style="list-style-type: none"> • The size of the selected Song exceeds the limitation. The limitation for playback is approx. 500KB (MIDI), 80 minutes (Audio). • The Song size reached the limitation during recording. The limitation for recording is approx. 500KB (MIDI), 80 minutes (Audio). The recording will end automatically and the recorded data before the end is saved. • The Song size reached the limitation during converting a MIDI Song to an Audio Song. The limitation is 80 minutes (Audio).
System limit	This message appears when the number of files and folders exceeds the system limit. The maximum number of files and folders which can be saved in a folder is 250. Try again after deleting/moving the unnecessary file(s).
This data format is not supported	The format of the selected Song is not compatible with this instrument. For information on Songs that can be played on this instrument, refer to page 30.

Messages	Description
Unformatted device	The USB flash drive is not formatted. Format it from "Utility" > "USB Format" in the System menu (page 51).
Unsupported device	An unsupported USB device is connected. Use a device whose compatibility has been confirmed by Yamaha (page 6).
USB device overcurrent error	Communication with the USB device has been cut off because of an abnormal power surge to the device. Disconnect the USB device from the USB [TO DEVICE] terminal and turn the power off and on again.
USB hub cannot be used	Connect a USB device directly to the instrument without using a USB hub.
USB power consumption exceeded	The power consumption of the connected USB device has exceeded the limit. Use a device whose compatibility has been confirmed by Yamaha (page 6).
Wrong device	<p>The file operation cannot be made to the connected USB flash drive. The following causes can be considered.</p> <ul style="list-style-type: none"> • The USB flash drive is not formatted. Format it from "Utility" > "USB Format" in the System menu (page 51). • The number of files exceeds the system limit. The maximum number of files and folders which can be saved in a folder is 250. Try again after deleting/moving the unnecessary file(s).
Wrong name	<p>This message appears during renaming a Song file because of the following causes. Rename the Song correctly. For details, refer to "File" section in the Song menu on the Reference Manual.</p> <ul style="list-style-type: none"> • No character has been input. • You used a period or space at the beginning/ending of a Song name.

Troubleshooting

When a message is displayed, refer to the “Message List” (page 58) for troubleshooting aid. For details on the settings in the Menu display (page 51), refer to the Reference Manual.

Problem	Possible Cause and Solution
The instrument does not turn on.	The instrument has not been plugged in properly. Securely connect the AC adaptor to the DC IN jack on the instrument and to the AC outlet (page 16).
The power is automatically turned off.	This is normal and due to the Auto Power Off function. If necessary, disable the Auto Power Off function (page 17).
Mechanical noise is heard during performance.	The keyboard mechanism of this instrument simulates the keyboard mechanism of an actual piano. Mechanical noise is also heard on a piano.
Noise is heard from the instrument’s speakers.	Noise may be heard if a mobile phone is used near the instrument or if the phone is ringing. Turn off the mobile phone, or use it further away from the instrument.
Noise is heard from the instrument’s speakers or headphones when using the instrument with the smart device.	When you use the instrument along with the app on your smart device, we recommend that you enable “Airplane Mode” on the device to avoid noise caused by communication. When wirelessly connecting a smart device with this product, make sure that the Wi-Fi or Bluetooth setting on the device is turned on.
The overall volume is low, or no sound is heard.	<ul style="list-style-type: none"> • The master volume may be set too low. Set it to an appropriate level with the [VOLUME] slider (page 18). • The Volume Limiter function is set to “On.” Set Volume Limiter to “Off” from “Sound” > “Volume Limiter” in the System menu (page 51). • The volume level for the keyboard performance is set too low. Adjust the balance to increase the keyboard volume from “Volume” > “Song - Keyboard” in the Song menu (page 51). • Headphones are connected. Disconnect the headphone plugs and the adaptor plugs. • The Speaker setting is “Off.” Set the Speaker to “Normal” or “On” from “Utility” > “Speaker” in the System menu (page 51). • Local Control is “Off.” Set Local Control to “On” from “MIDI” > “Local Control” in the System menu (page 51).
The speakers do not switch off when a pair of headphones is connected to the [PHONES] jack.	The Speaker setting is “On.” Set the speaker setting to “Normal” from “Utility” > “Speaker” in the System menu (page 51).
Pedals do not function.	The pedal cord may not be securely connected to the [PEDAL] connector. Be sure to insert the pedal cord all the way until the metal part of the cord plug disappears from view (page 19).
The keyboard volume is lower than the Song playback volume.	The volume level for the keyboard performance is set too low. Adjust the balance to increase the keyboard volume from “Volume” > “Song - Keyboard” in the Song menu (page 51).
The buttons do not respond.	<ul style="list-style-type: none"> • While a function is being used, some buttons unrelated to the function may be disabled. If a Song is playing, stop playback. If in another situation, press the [EXIT] button to return to the Voice or Song display, and then perform the desired operation. • While Smart Pianist is connected to the instrument, no operation can be performed on the instrument. Control the instrument by using Smart Pianist. To disconnect Smart Pianist, press the [EXIT] button.
The pitch and/or tone of the piano Voices in certain ranges do not sound right.	This is normal and not a malfunction. The piano Voice was designed to reproduce the original sound of the piano as much as possible. As a result, the harmonics may be more pronounced in certain tonal ranges, which could make the pitch or range of the sound seem a bit unusual.
Higher or lower notes do not sound correctly when the transpose or octave setting is made.	This instrument can cover the range of C -2 – G8 when you set the transposition or octave. If notes lower than C-2 are played, the sound is moved one octave higher. If notes higher than G8 are played, the sound is moved one octave lower.

Problem	Possible Cause and Solution
Performance in Dual/Split/Duo is not recorded, or part data is lost unexpectedly.	Switching to Dual/Split/Duo in the middle of the Song cannot be recorded. Also, the recording part for the Voice 2 (Dual) or the left Voice (Split/Duo) is automatically assigned (page 41). If the assigned part already has data, the data will be overwritten and deleted when you record.
The keyboard sound in Duo may be output from only one speaker.	This is because the default pan setting differs depending on the Voice. Set “Duo Type” to “Balanced” in the System menu (page 51), or change the “Pan” setting from “Voice Edit” in the Voice menu (page 51).
The Song title is not correct.	The “Language” setting may be different than the one selected when the Song was named. Also, if the Song was recorded on another instrument, the title might be displayed incorrectly. Change the setting of “Utility” > “Language” > “Song” in the System menu (page 51). However, if the Song was recorded on another instrument, changing the “Language” setting may not resolve the problem.
Menu display cannot be called up.	When Song is being played back, Menu display other than Voice menu and Song menu will not appear. Also, while recording, only the Recording menu appears. Stop Song playback or recording before calling up your desired menu.
Rhythm does not start.	Synchro Start function has been turned on, meaning you need to press a key to start playback. To start playback by pressing the [RHYTHM] button, set “SynchStart” off in the Metronome/Rhythm menu (page 51).
Metronome, MIDI Song or Rhythm goes out of tempo slightly when you play the keyboard.	This occurs infrequently when Grand Expression Modeling is set to “Dynamic.” If this happens, set Grand Expression Modeling to “Static” (page 24).
The contents of the Wireless LAN is not shown in the display even though the USB wireless LAN adaptor is connected.	Disconnect the USB wireless LAN adaptor and connect it again.
The Bluetooth-equipped audio player cannot be paired with nor connected to the instrument.	Check that the Bluetooth function of the audio player is activated. To connect the audio player and the instrument via Bluetooth, both devices need to be functional.
	The audio player and the instrument need to be paired to connect with each other via Bluetooth (page 43).
	In case there is a device (microwave oven, wireless LAN device, etc.) that outputs signals in the 2.4 GHz frequency band nearby, move this instrument away from the device that is emitting radio-frequency signals.

* Depending on the country in which you purchased the product, the instrument may not have Bluetooth capability. For information on whether Bluetooth functionality is included or not, refer to page 21.

For more information, check the “Frequently Asked Questions (FAQ)” on the following website:

<https://faq.yamaha.com/s/>

* Available in English, German, French, Spanish and some other languages.

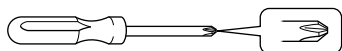
Assembling the Clavinova

Assembly Precautions

CAUTION

- (CLP-885, CLP-875, CLP-845, CLP-835) Assembly should be carried out by at least two persons.
- (CLP-895GP, CLP-865GP) Assembly should be carried out by at least four persons.
- Assemble the unit on a hard and flat floor with ample space.
- Be sure to use the correct parts in the correct orientation, and assemble the instrument in accordance with the sequence given here.
- Keep small parts (such as screws) out of the reach of infants. Children may accidentally swallow them.
- Be sure to use only the included screws of the specified sizes. Do not use any other screws. Use of incorrect screws can cause damage or malfunction of the product.
- Be sure to tighten all screws upon completing assembly of the unit.
- When moving and placing the instrument after assembly, check "When moving and placing the instrument" on page 8.
- To disassemble the unit, reverse the assembly sequence given below. Failure to do so can result in damage to the instrument or personal injury.

Have a Phillips-head (+) screwdriver of the appropriate size ready.



Assembling the Clavinova

Reference page	
CLP-885	page 63
CLP-875	page 67
CLP-845	page 69
CLP-835	page 69
CLP-895GP	page 71
CLP-865GP	page 75

Post-assembly checklist

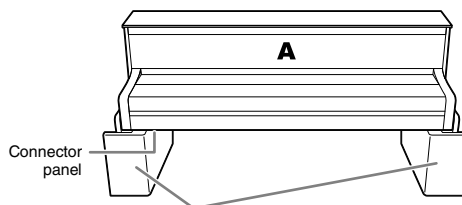
- There are no unused parts.
 - The instrument is stable even if you shake it.
 - Both the pedal cord and power cord are plugged securely into the correct jacks.
- If any of the above items have not been confirmed, review the assembly procedure and correct any errors.

CAUTION

If the unit creaks or is otherwise unsteady when you play on the keyboard, refer to the assembly diagrams and retighten all screws.

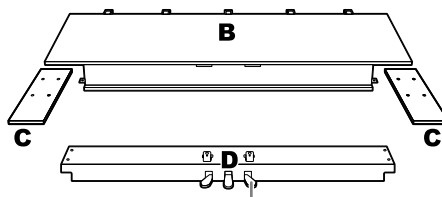
CLP-885 Assembly

Remove all parts from the package and make sure you have all of the items.

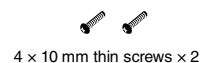
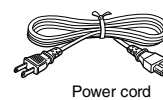
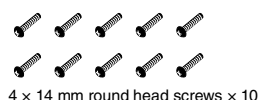
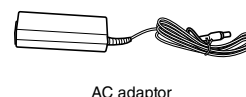
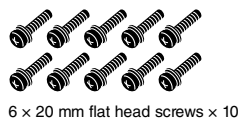
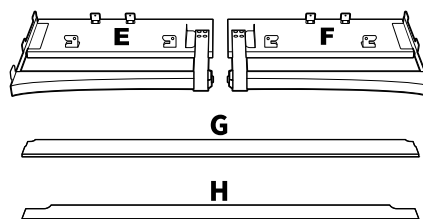


Foamed styrol pads

Remove foamed styrol pads from the package, position them on the floor, then place A on top of them. Position the pads so that they will not hide the connector panel on the bottom of A.



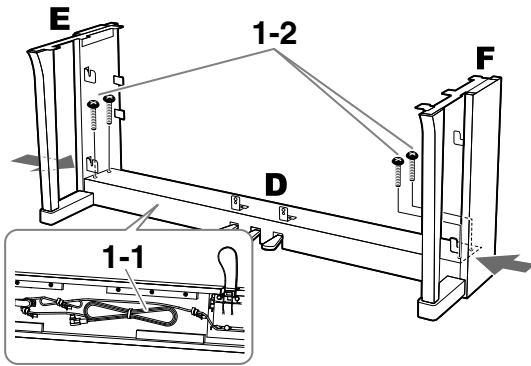
The pedals are covered with vinyl covers when shipped from the factory. Before starting the assembly, please make sure to remove the cover from the damper pedal.



* See page 18 for instructions on attaching the hanger.

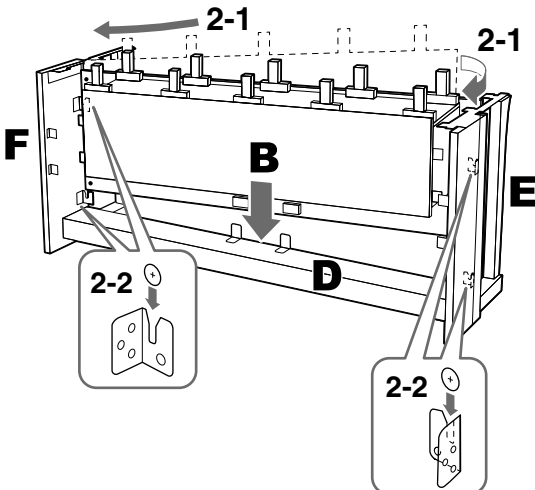
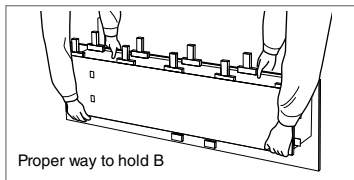
The power cord and AC adaptor may not be included, or may look different from the illustration above, depending on your particular area. Please check with your Yamaha dealer.

1. Attach E and F to D.

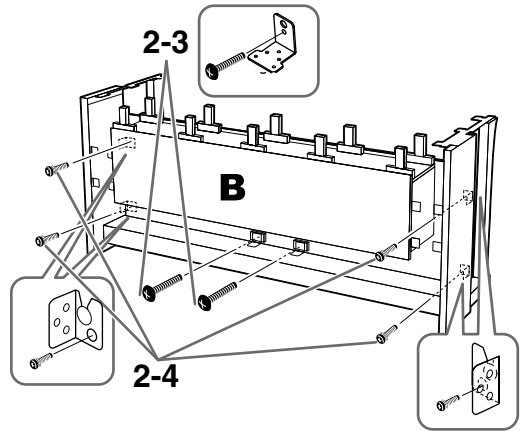


- 1-1. Remove the twist tie from the folded pedal cord.
Don't discard the twist tie, you'll need it later in step 6.
- 1-2. While pushing the lower part of E and F from the outside, secure D using four 6 x 20 mm round head screws.

2. Attach B.



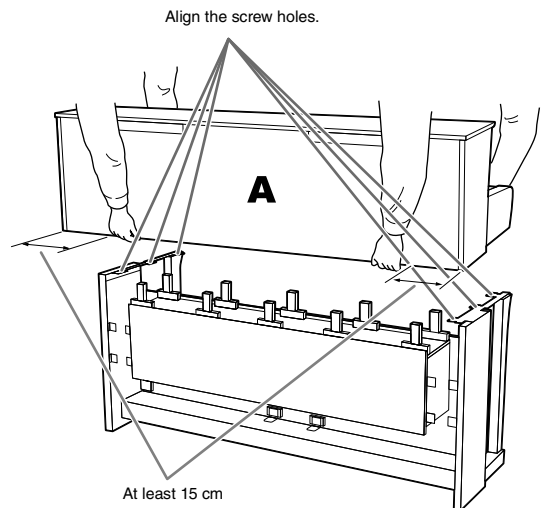
- 2-1. Insert B between E and F as shown in the illustration, and then hold B at a position of 5 cm away from D.
- 2-2. Lower B slowly, and then hook the screws on the right and left sides of B onto the notches of brackets on E and F.



- 2-3. Temporarily secure the center with two 4 x 14 mm round head screws.
- 2-4. Temporarily secure the surroundings with four 6 x 20 mm flat head screws.

3. Mount A.

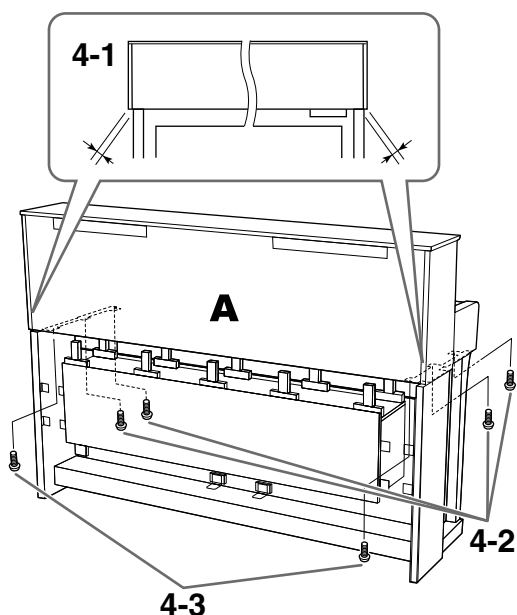
Be sure to place your hands at least 15 cm away from either end of the main unit when positioning it.



! CAUTION

- Be extra careful not to drop the main unit or let your fingers be pinched by it.
- Do not hold the main unit in any position other than the position specified above.

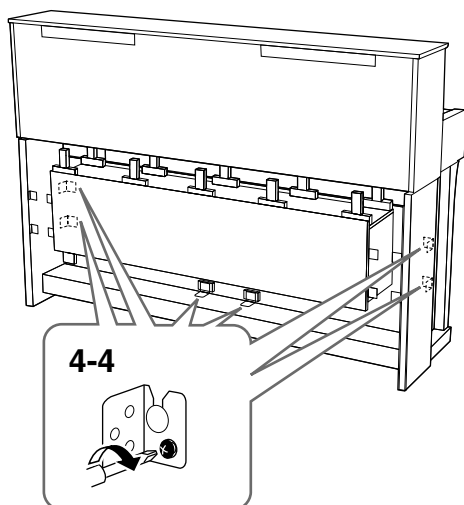
4. Attach A.



4-1. Adjust the position of A so that the left and right ends of A will project beyond E and F equally (as seen from the rear).

4-2. Secure A using four 6 × 20 mm flat head screws from the front.

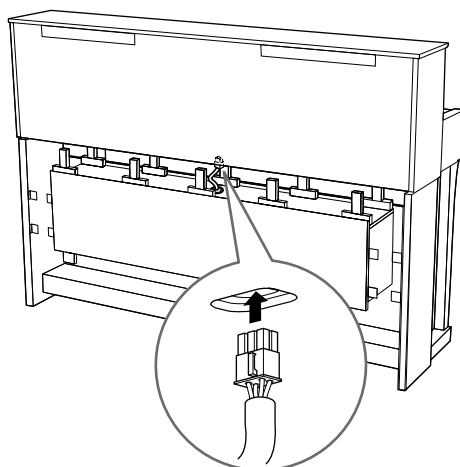
4-3. Secure A using two 6 × 20 mm flat head screws from the rear.



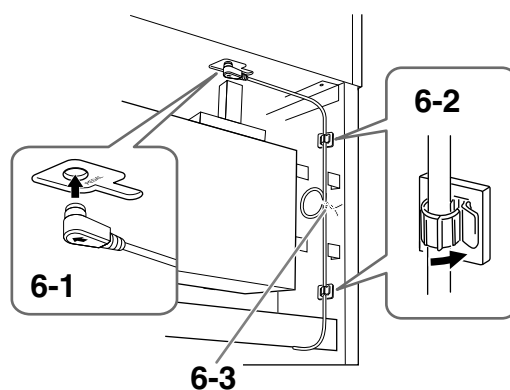
4-4. Firmly tighten the screws from the upper parts you temporarily fastened in previous step 2-3 and 2-4 above (assembly B).

5. Connect the speaker cord.

Insert the speaker cord plug into the connector so that the tab extends toward the front when viewed from the rear.

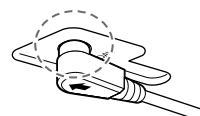


6. Insert the DC plug of the AC adaptor into the DC IN jack.



6-1. Insert the pedal cord plug into the [PEDAL] connector.

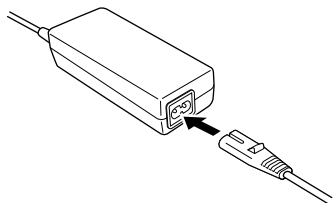
Insert the pedal cord securely in the proper direction until the metal part of the plug disappears from view. Otherwise, the pedal may not function properly.



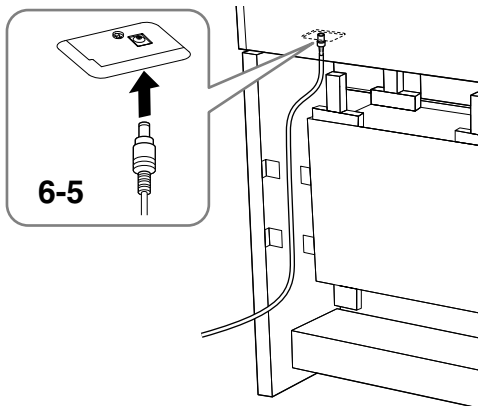
6-2. Attach the cord holders to the instrument, then clip the cord into the holders. At this time, be careful that the pedal cord isn't loose between the plug and cord holder.

6-3. Use a twist tie to bundle the pedal cord.

6-4. Connect one end of the power cord to the AC adaptor.

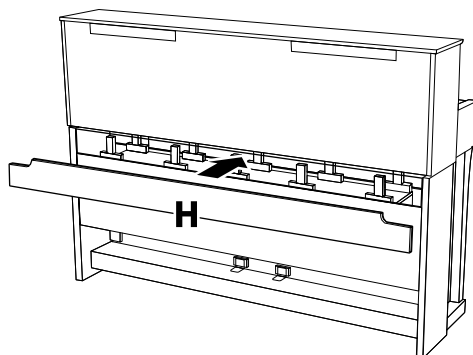
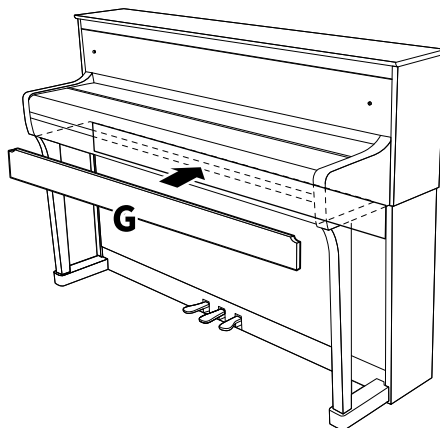


6-5. Insert the DC plug of the AC adaptor into the DC IN jack.



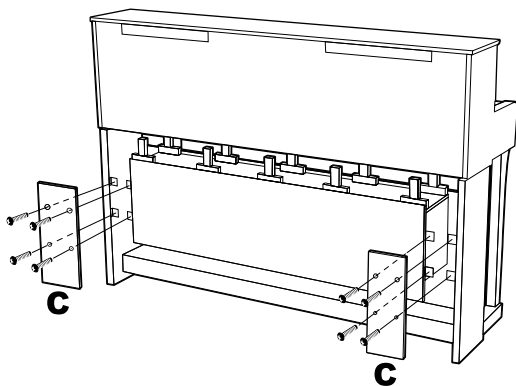
8. Attach G and H.

Attach G to the front, and H to the rear by pressing them against the instrument.



7. Attach C (two pieces).

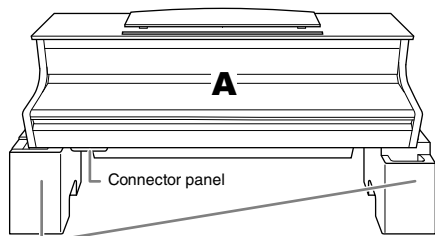
Secure the two C pieces with eight 4 × 14 mm round head screws.



After completing assembly, confirm the checklist on page 63.

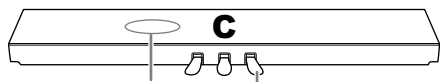
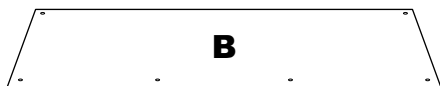
CLP-875 Assembly

Remove all parts from the package and make sure you have all of the items.



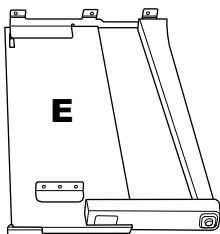
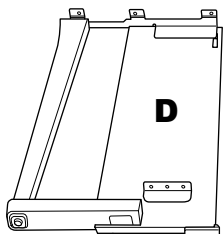
Foamed styrol pads

Remove foamed styrol pads from the package, position them on the floor, then place A on top of them. Position the pads so that they will not block the connector panel and the speaker box on the bottom of A.



Bundled pedal cord inside

The pedals are covered with vinyl covers when shipped from the factory. Before starting the assembly, please make sure to remove the cover from the damper pedal.



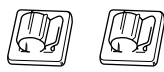
6 x 20 mm thick screws x 10



4 x 12 mm thin screws x 2



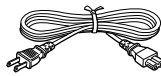
4 x 20 mm tapping screws x 4



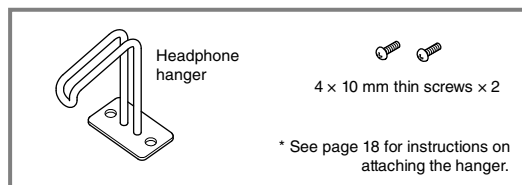
Cord holders x 2



AC adaptor



Power cord



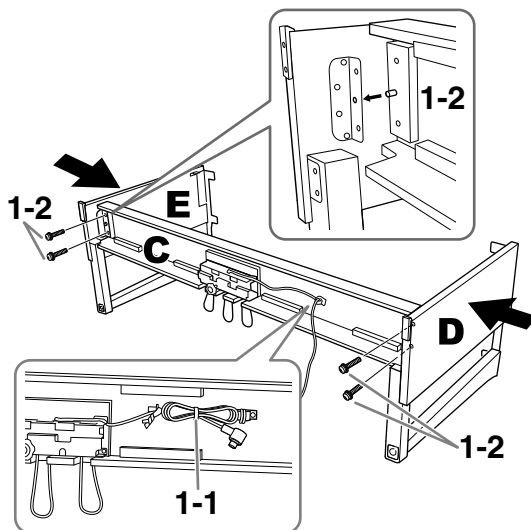
Headphone hanger

4 x 10 mm thin screws x 2

* See page 18 for instructions on attaching the hanger.

The power cord and AC adaptor may not be included, or may look different from the illustration above, depending on your particular area. Please check with your Yamaha dealer.

1. Attach C to D and E.

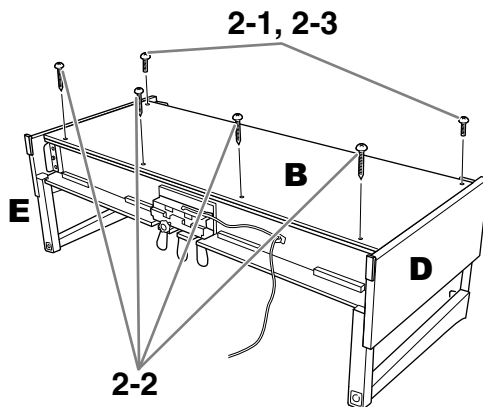


1-1. Untie and straighten out the bundled pedal cord. Do not discard the vinyl tie. You will need it later in step 5.

1-2. Insert the protrusions into the holes on the brackets, then attach D and E to C by tightening the four thick screws (6 x 20 mm).

2. Attach B.

Depending on the model of digital piano you purchased, the surface color of one side of B may be different from the other side. If so, position B so that the side similar in color to D and E faces the player.



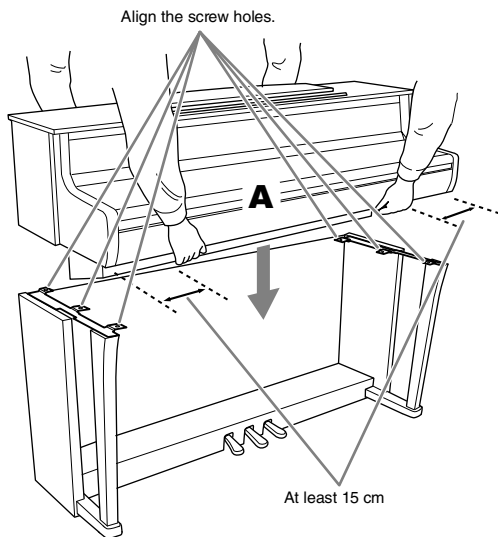
2-1. Align the screw holes on the upper side of B with the bracket holes on D and E, then attach the upper corners of B to D and E by finger-tightening two thin screws (4 x 12 mm).

2-2. Secure the bottom end of B using four tapping screws (4 x 20 mm).

2-3. Securely tighten the screws on the top of B that were attached in step 2-1.

3. Mount A.

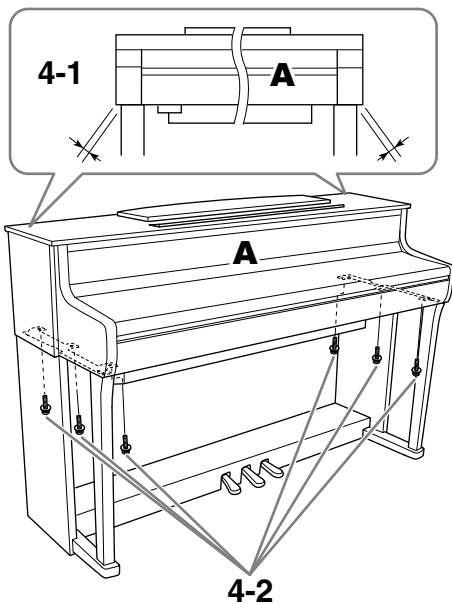
Be sure to place your hands at least 15 cm away from either end of the main unit when positioning it.



! CAUTION

- Be extra careful not to drop the main unit or let your fingers be pinched by it.
- Do not hold the main unit in any position other than the position specified above.

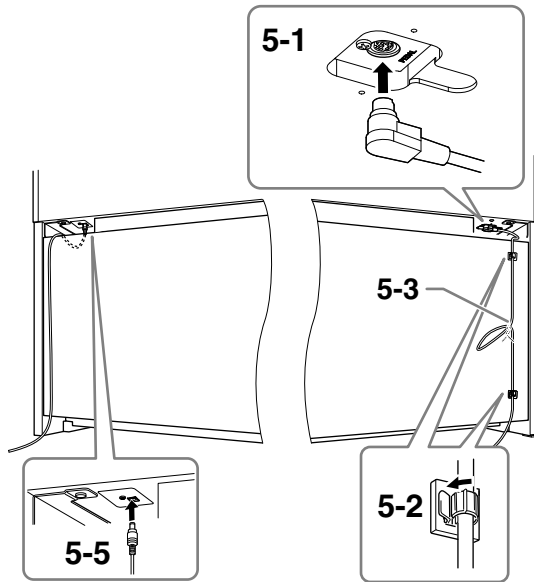
4. Secure A.



4-1. Adjust the position of A so that the left and right ends of A will project beyond D and E equally (as seen from the front).

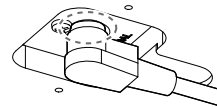
4-2. Secure A by tightening six thick screws (6 × 20 mm) from the front.

5. Connect the pedal cord and AC adaptor.



5-1. Insert the plug of the pedal cord into the [PEDAL] connector.

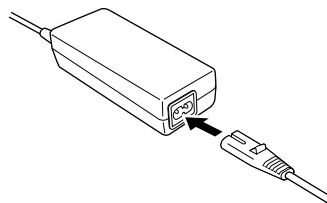
Insert the pedal cord securely in the proper direction until the metal part of the plug disappears from view. Otherwise, the pedal may not function properly.



5-2. Attach the cord holders to the rear panel as shown, then clip the cord into the holders.

5-3. Use a vinyl tie to take up any slack in the pedal cord.

5-4. Connect one end of the power cord to the AC adaptor.

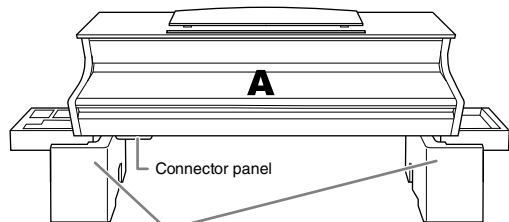


5-5. Insert the DC plug of the AC adaptor into the DC IN jack.

After completing assembly, confirm the checklist on page 63.

CLP-845, CLP-835 Assembly

Remove all parts from the package and make sure you have all of the items.



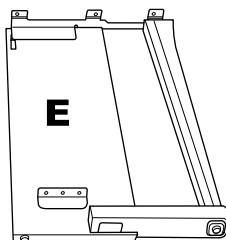
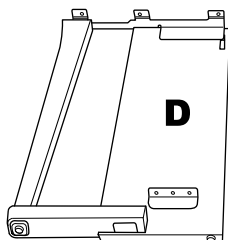
Foamed styrol pads

Remove foamed styrol pads from the package, position them on the floor, then place A on top of them. Position the pads so that they will not block the connector panel and the speaker box on the bottom of A.



Bundled pedal cord inside

The pedals are covered with vinyl covers when shipped from the factory. Before starting the assembly, please make sure to remove the cover from the damper pedal.



6 x 20 mm thick screws x 10



4 x 12 mm thin screws x 2



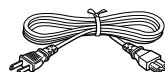
4 x 20 mm tapping screws x 4



Cord holders x 2



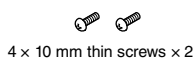
AC adaptor



Power cord



Headphone hanger

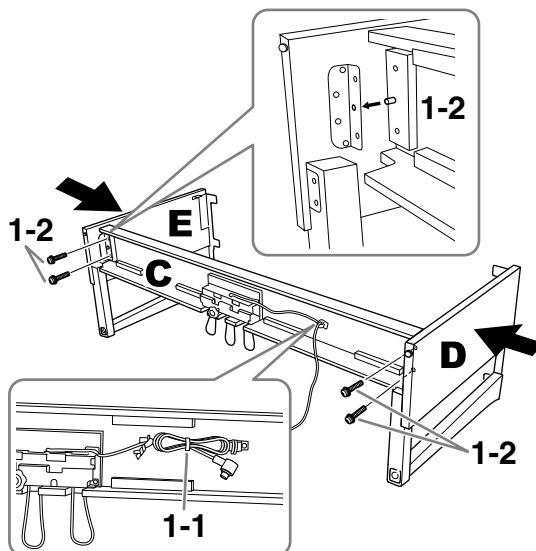


4 x 10 mm thin screws x 2

* See page 18 for instructions on attaching the hanger.

The power cord and AC adaptor may not be included, or may look different from the illustration above, depending on your particular area. Please check with your Yamaha dealer.

1. Attach C to D and E.

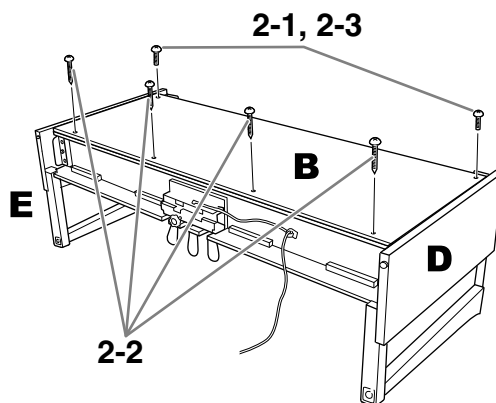


1-1. Untie and straighten out the bundled pedal cord. Do not discard the vinyl tie. You will need it later in step 5.

1-2. Insert the protrusions into the holes on the brackets, then attach D and E to C by tightening the four thick screws (6 x 20 mm).

2. Attach B.

Depending on the model of digital piano you purchased, the surface color of one side of B may be different from the other side. If so, position B so that the side similar in color to D and E faces the player.



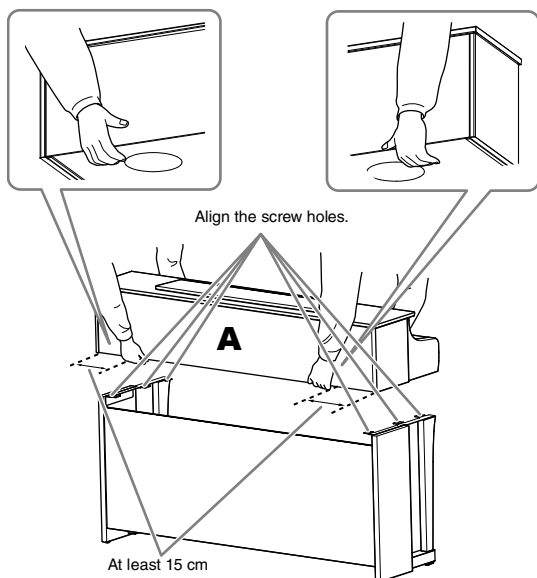
2-1. Align the screw holes on the upper side of B with the bracket holes on D and E, then attach the upper corners of B to D and E by finger-tightening two thin screws (4 x 12 mm).

2-2. Secure the bottom end of B using four tapping screws (4 x 20 mm).

2-3. Securely tighten the screws on the top of B that were attached in step 2-1.

3. Mount A.

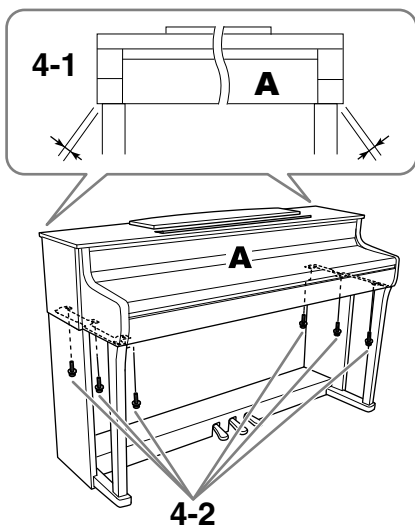
Be sure to place your hands at least 15 cm away from either end of the main unit when positioning it.



CAUTION

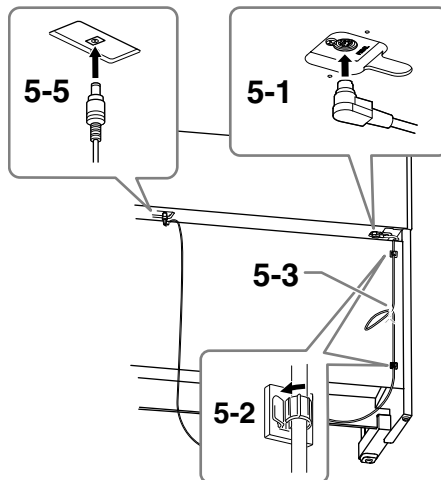
- Be extra careful not to drop the main unit or let your fingers be pinched by it.
- Do not hold the main unit in any position other than the position specified above.

4. Secure A.



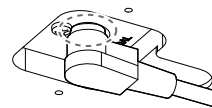
- 4-1. Adjust the position of A so that the left and right ends of A will project beyond D and E equally (as seen from the front).
- 4-2. Secure A by tightening six thick screws (6 × 20 mm) from the front.

5. Connect the pedal cord and AC adaptor.



5-1. Insert the plug of the pedal cord into the [PEDAL] connector.

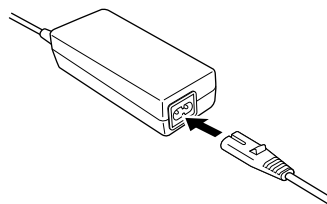
Insert the pedal cord securely in the proper direction until the metal part of the plug disappears from view. Otherwise, the pedal may not function properly.



5-2. Attach the cord holders to the rear panel as shown, then clip the cord into the holders.

5-3. Use a vinyl tie to take up any slack in the pedal cord.

5-4. Connect one end of the power cord to the AC adaptor.



5-5. Insert the DC plug of the AC adaptor into the DC IN jack.

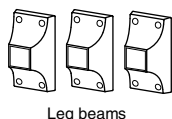
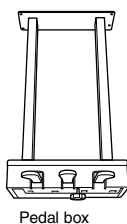
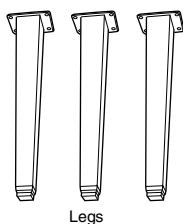
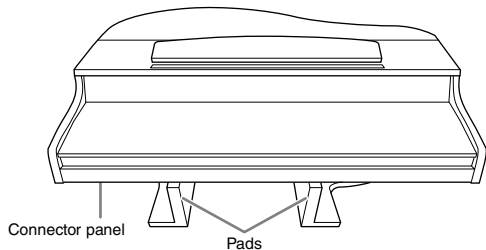
After completing assembly, confirm the checklist on page 63.

CLP-895GP Assembly

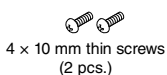
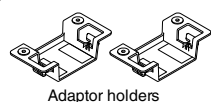
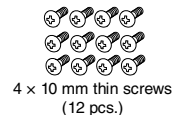
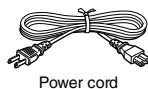
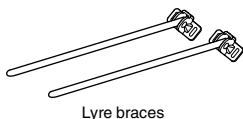
Remove all parts from the package and make sure you have all of the items.

Main unit

To prevent damage to the connector panels located at the bottom of main unit, make sure to place main unit on the Styrofoam pads. Also, make sure that the pads do not touch the connector panels.



Bundled pedal cord inside. The pedals are covered with vinyl covers when shipped from the factory. Remove the cover from damper pedal for optimum use of the GP Responsive Damper Pedal effect.



* See page 18 for instructions on attaching the hanger.

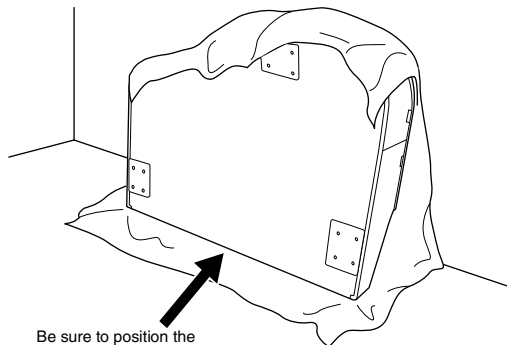
The power cord and AC adaptor may not be included, or may look different from the illustration above, depending on your particular area. Please check with your Yamaha dealer.

1. Lean the main unit against the wall as shown below.



CAUTION

Be careful not to pinch your fingers.



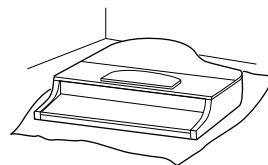
1-1. Spread a large soft cloth, such as a blanket, as shown to protect the floor and wall surfaces.

1-2. Lean the main unit against the wall with the key cover closed and the keyboard side on the bottom.

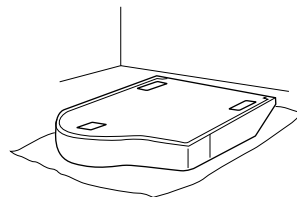
NOTICE

Do not place the main unit as shown in the illustration here.

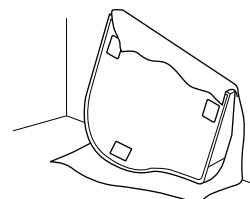
Incorrect



Incorrect

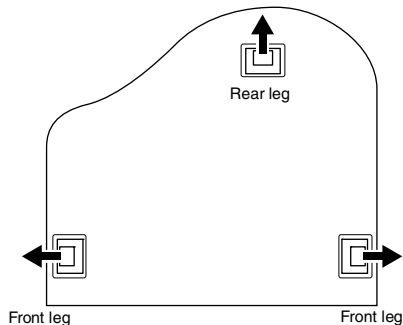


Incorrect



2. Attach the three legs and three leg beams.

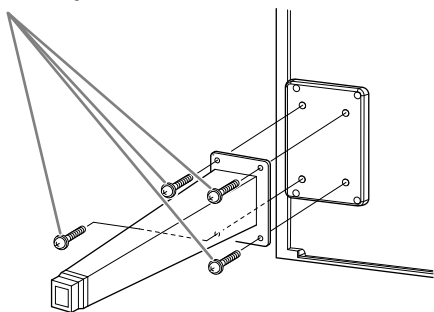
Refer to the diagram below to verify the orientation of the legs.



2-1. Install and tighten four screws on each leg, starting with one of the front legs.

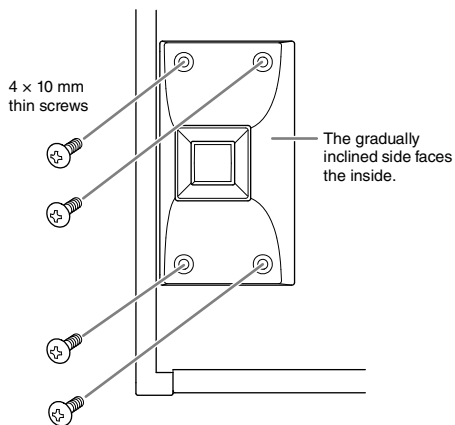
2-2. Install and tighten four screws on each leg, starting with one of the front legs.

6 x 40 mm fixing screws

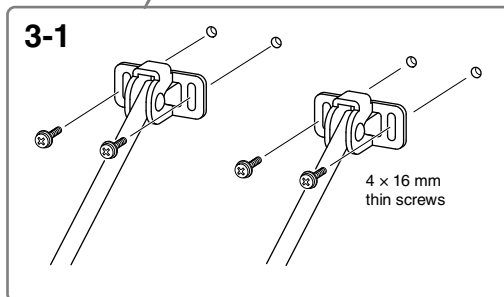
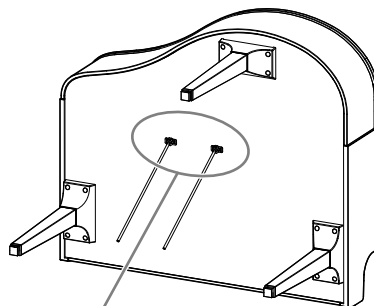


2-3. Slide the leg beams over the legs, and attach them to each of the legs using four thin screws (4 x 10 mm).

Make sure that the gradually inclined side of the leg beams faces the inside of the unit as shown.



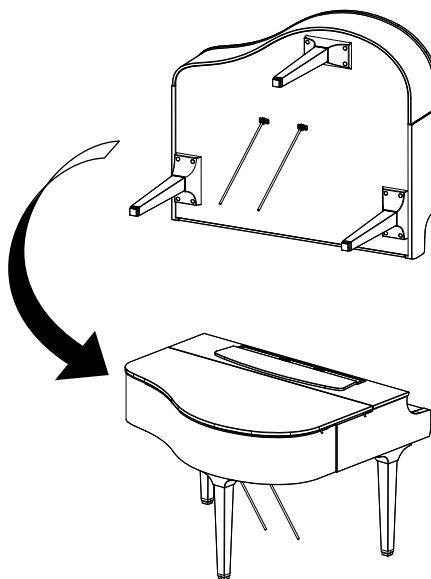
3. Attach the lyre braces.



3-1. Attach the lyre braces using the four thin screws (4 x 16 mm).

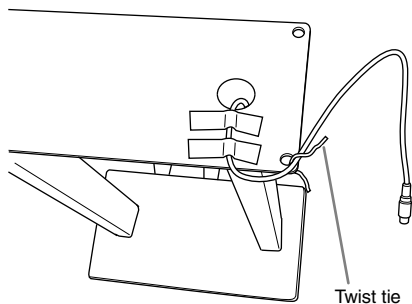
4. Raise the unit to the standing position.

Use the front legs as support to raise the unit.

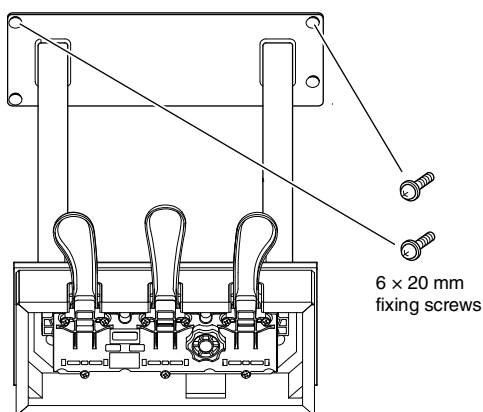


5. Install the pedal box.

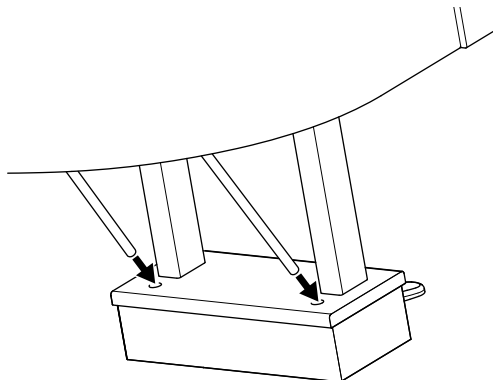
- 5-1. Remove the twist tie that affixes the pedal cord to the upper portion of the pedal box.



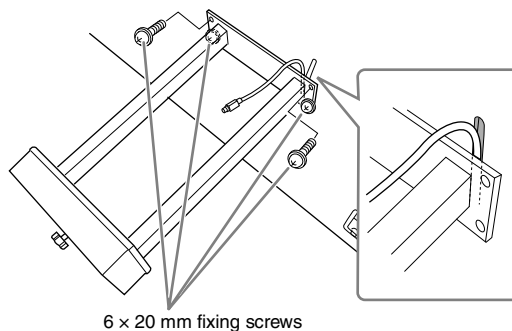
- 5-2. Attach the front side of the pedal box to the bottom of the unit by finger-tightening the two fixing screws (6 × 20 mm).



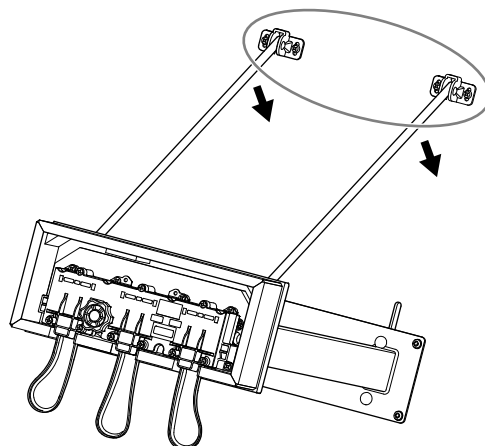
- 5-3. Insert the lyre braces into the pedal box recesses and make sure they fit securely.



- 5-4. Align the cord with the groove on the unit and attach the backside of the pedal box using the two fixing screws (6 × 20 mm), and then securely tighten the two screws of the front side of the pedal box that were attached in step 5-2.

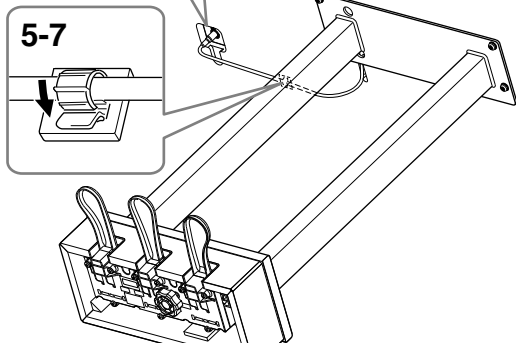
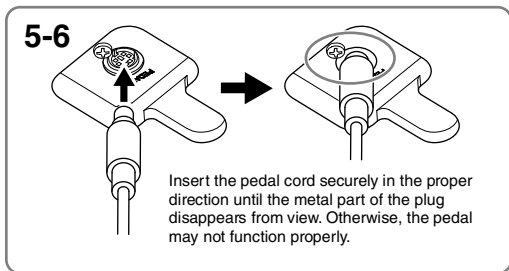


- 5-5. Loosen the four screws that were attached in step 3, and then securely tighten the four screws again while pushing the lyre braces in the direction of arrows as illustrated.



5-6. Insert the pedal cord plug into the [PEDAL] connector. Insert the plug so the arrow side faces front (toward the keyboard).

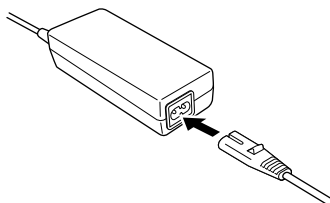
If the plug will not go in easily, do not force it. Double-check the orientation of the plug, then try again.



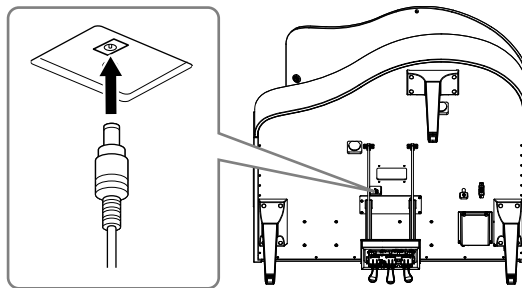
5-7. Attach the cord holder to the bottom of the main unit as shown, then clip the holder around the cord.

6. Connect the AC adaptor.

6-1. Connect one end of the power cord to the AC adaptor.

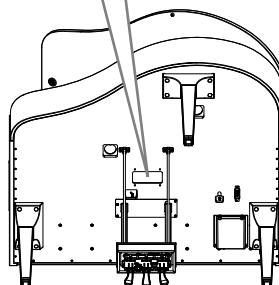
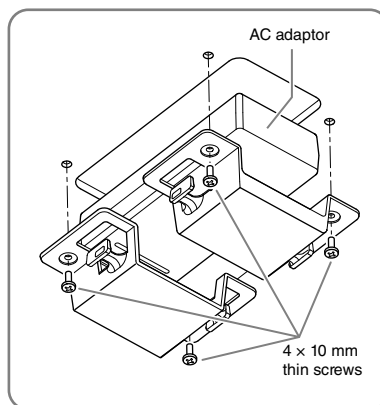


6-2. Insert the DC plug of the AC adaptor into the DC IN jack.



7. If desired, you can attach the AC adaptor to the bottom of the unit by using the adaptor holders.

For specific instructions, refer to the leaflet enclosed with the adaptor holders.



! CAUTION

To disassemble the unit, reverse the assembly sequence. Failure to do so can result in damage to the instrument or personal injury. In particular, if you lay down the main unit without detaching the pedal box, the pedals will break.

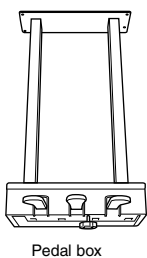
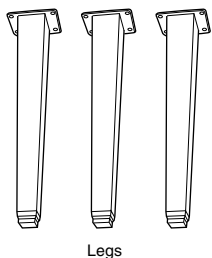
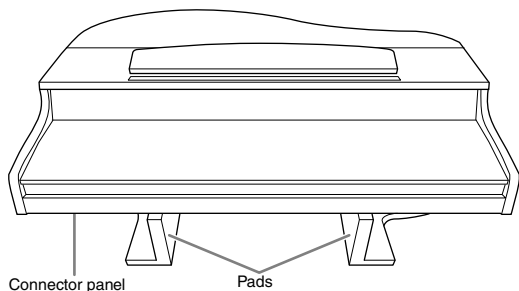
After completing assembly, confirm the checklist on page 63.

CLP-865GP Assembly

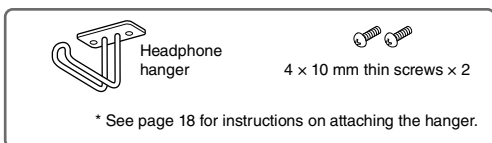
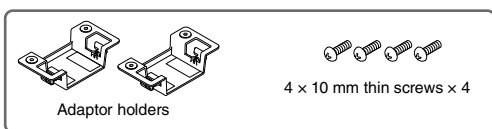
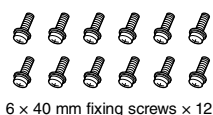
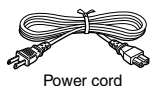
Remove all parts from the package and make sure you have all of the items.

Main unit

To prevent damage to the connector panels located at the bottom of main unit, make sure to place main unit on the Styrofoam pads. Also, make sure that the pads do not touch the connector panels.



Bundled pedal cord inside. The pedals are covered with vinyl covers when shipped from the factory. Before starting the assembly, please make sure to remove the cover from the damper pedal.



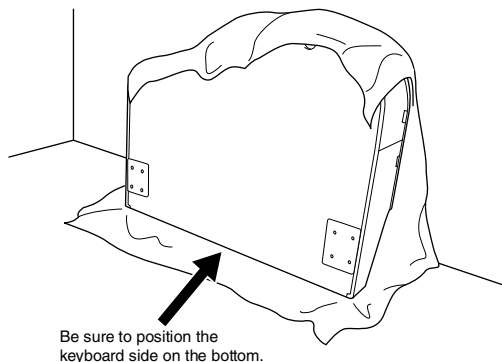
The power cord and AC adaptor may not be included, or may look different from the illustration above, depending on your particular area. Please check with your Yamaha dealer.

1. Lean the unit against the wall as shown below.



CAUTION

Be careful not to pinch your fingers.



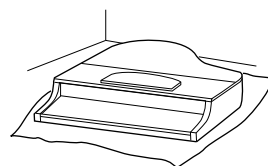
1-1. Spread a large soft cloth, such as a blanket, as shown to protect the floor and wall surfaces.

1-2. Lean the main unit against the wall with the key cover closed and the keyboard side on the bottom.

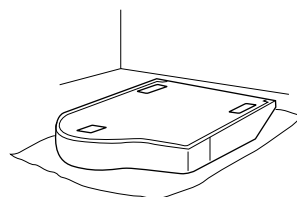
NOTICE

Do not place the main unit as shown in the illustration here.

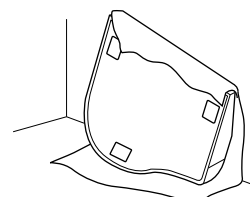
Incorrect



Incorrect

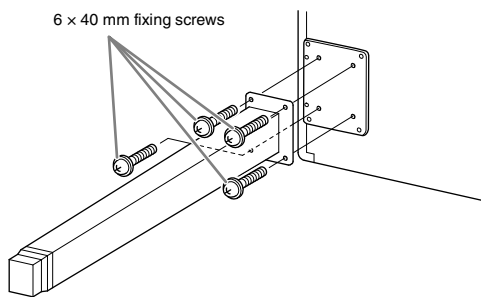
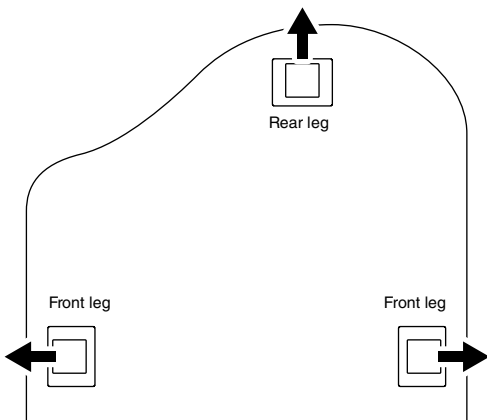


Incorrect



2. Attach two front legs and a rear leg.

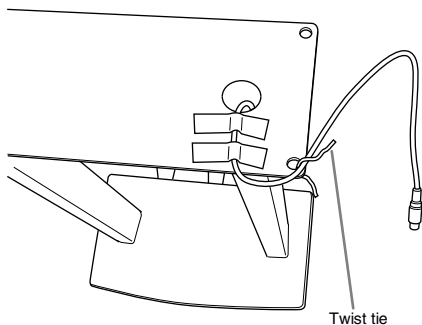
Refer to the diagram below to verify the orientation of the legs.



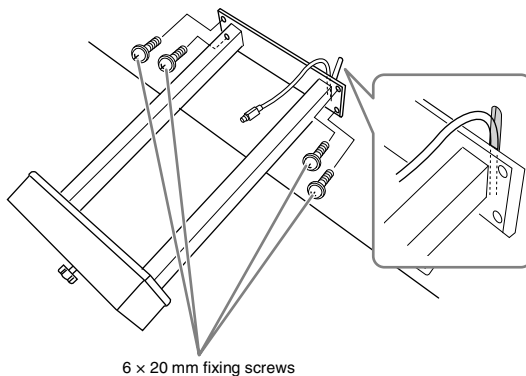
2-1. Install and tighten four screws on each leg, starting with one of the front legs.

3. Install the pedal box.

3-1. Remove the twist tie that affixes the pedal cord to the upper portion of the pedal box.

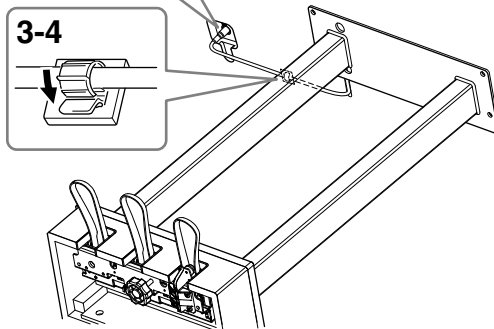
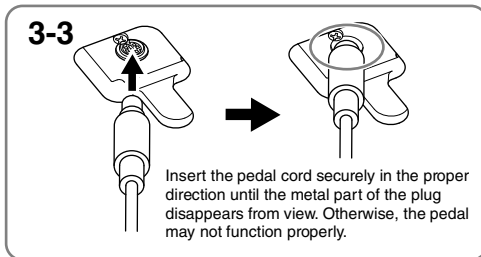


3-2. Align the cord with the groove on the unit, and attach the pedal box using four screws.



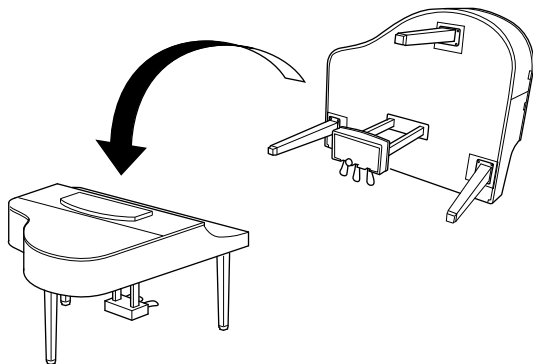
3-3. Insert the pedal cord plug into the [PEDAL] connector. Insert the plug so the arrow side faces front (toward the keyboard). If the plug will not go in easily, do not force it. Double-check the orientation of the plug, then try again.

3-4. Attach the cord holder to the bottom of the main unit as shown, then clip the holder around the cord.



4. Raise the unit to the standing position.

Use the front legs as support to raise the unit.

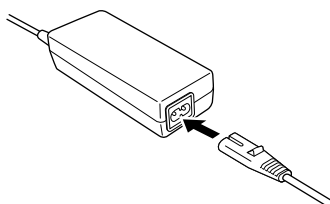


! CAUTION

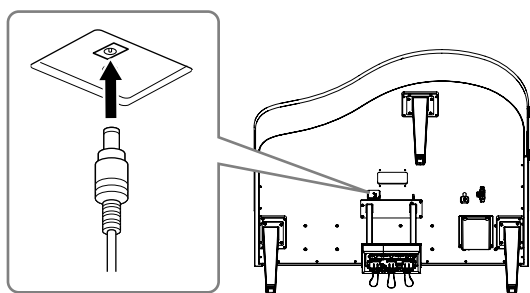
Be careful not to pinch your fingers. When you raise the unit, do not hold the key cover.

5. Connect the AC adaptor.

5-1. Connect one end of the power cord to the AC adaptor.

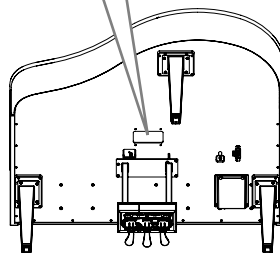
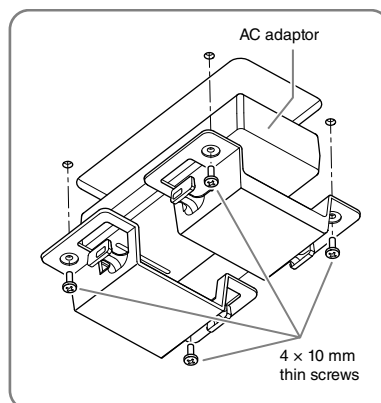


5-2. Insert the DC plug of the AC adaptor into the DC IN jack.



6. If desired, you can attach the AC adaptor to the bottom of the unit by using the adaptor holders.

For specific instructions, refer to the leaflet enclosed with the adaptor holders.



! CAUTION

To disassemble the unit, reverse the assembly sequence. Failure to do so can result in damage to the instrument or personal injury. In particular, if you lay down the main unit without detaching the pedal box, the pedals will break.

After completing assembly, confirm the checklist on page 63.

Specifications

Specifications (CLP-885, CLP-875, CLP-845, CLP-835)

Refer to page 81 for specifications of the CLP-895GP and CLP-865GP.

		CLP-885	CLP-875	CLP-845	CLP-835	
Product Name		Digital Piano				
Size/Weight	Width [For models with polished finish]	1,461 mm (57-1/2") [1,467 mm (57-3/4")]	1,450 mm (57-1/16") [1,455 mm (57-5/16")]			
	Height [For models with polished finish]	With music rest closed	1,027 mm (40-7/16") [1,029 mm (40-1/2")]	967 mm (38-1/16") [970 mm (38-3/16")]	927 mm (36-1/2") [930 mm (36-5/8")]	
		With music rest raised		1,130 mm (44-1/2") [1,131 mm (44-1/2")]	1,091 mm (42-15/16") [1,092 mm (43-0")]	1,083 mm (42-5/8") [1,084 mm (42-11/16")]
	Depth [For models with polished finish]	494 mm (19-7/16") [494 mm (19-7/16")]	465 mm (18-5/16") [465 mm (18-5/16")]	460 mm (18-1/8") [460 mm (18-1/8")]		
	Weight [For models with polished finish]	87 kg (191 lb, 13 oz) [90 kg (198 lb, 7 oz)]	71 kg (156 lb, 8 oz) [74 kg (163 lb, 2 oz)]	60 kg (132 lb, 4 oz) [63 kg (138 lb, 14 oz)]	57 kg (125 lb, 11 oz) [60 kg (132 lb, 4 oz)]	
Control Interface	Keyboard	Number of Keys	88			
		Type	GrandTouch Keyboard: wooden keys (white only), synthetic ebony and ivory key tops, escapement	GrandTouch-S Keyboard: wooden keys (white only), synthetic ebony and ivory key tops, escapement	GrandTouch-S Keyboard: synthetic ebony and ivory key tops, escapement	
		Touch Sensitivity	Hard2, Hard1, Medium, Soft1, Soft2, Fixed			
		88-key Linear Graded Hammers	Yes		-	
		Counterweight	Yes	-		
	Pedal	Number of Pedals	3: Damper (with Half-pedal function), Sostenuto, Soft			
		GrandTouch Pedals	Yes (with GP Response Damper)		Yes	
		Assignable Functions	Sustain (Switch), Sustain Continuously, Sostenuto, Soft, Pitch Bend Up, Pitch Bend Down, Rotary Speed, Vibe Rotor, Song Play/Pause			
	Display	Type	Full Dots LCD			
		Language	English, Japanese			
	Panel	Type	Touch sensors		Buttons	
		Language	English			
	Cabinet	Key Cover Style	Folding	Sliding		
Music Rest		Yes (with music braces)				
Voices	Tone Generator	Piano Sound	Yamaha CFX, Bösendorfer Imperial			
		Binaural Sampling	Yes ("CFX Grand" and "Bösendorfer" only)			
		VRM (Virtual Resonance Modeling)	Yes			
		Grand Expression Modeling	Yes			
	Polyphony (max.)	256				
	Preset	Number of Voices	53 Voices + 480 XG Voices + 14 Drum/SFX Kits	38 Voices		
	Compatibility		XG (GM), GS (for Song playback), GM2 (for Song playback)	-		
Effects	Types	Reverb	7 types			
		Chorus	3 types			
		Brilliance	7 types + User			
		Insertion Effect	12 types			
		Intelligent Acoustic Control (IAC)	Yes			
		Stereophonic Optimizer	Yes			

			CLP-885	CLP-875	CLP-845	CLP-835
Effects	Functions	Dual	Yes			
		Split	Yes			
		Duo	Yes			
Songs	Preset	Number of Preset Songs	27 Voice Demo + 50 Classics + 303 Lesson Songs	23 Voice Demo + 50 Classics + 303 Lesson Songs		
	MIDI Recording	Number of Songs	250			
		Number of Tracks	16			
		Data Capacity	Approx. 500 KB/Song (approx. 22,000 notes)			
	Audio Recording (USB flash drive)	Recording Time (max.)	80 minutes/Song			
	Compatible Data Format	Playback	SMF (Format 0, Format 1), WAV (44.1 kHz, 16-bit, stereo)			
Recording		SMF (Format 0), WAV (44.1 kHz, 16-bit, stereo)				
Functions	Piano Room		Yes			
	Rhythm	Number of Rhythms	20			
	Overall Controls	Metronome	Yes			
		Tempo Range	5 – 500			
		Transpose	-12 – 0 – +12			
		Tuning	414.8 – 440.0 – 466.8 Hz (approx. 0.2 Hz increments)			
		Scale Type	7 types			
		USB Audio Interface	44.1 kHz, 24-bit, stereo			
	Bluetooth (May not have this functionality depending on the country in which you purchased the product.)	Audio	Supported profile: A2DP, Compatible codec: SBC			
		MIDI	Comply with Bluetooth Low Energy MIDI Specification			
		Bluetooth version	5.0			
		Wireless output	Bluetooth Class 2			
		Maximum communication distance	Approx. 10 m			
		Radio Frequency	2,401 – 2,481 MHz			
Maximum output power (EIRP)		4 dBm				
Type of modulation		GFSK				
Storage and Connectivity	Storage	Internal Memory	Approx. 1.4 MB			
		External Drives	USB flash drive			
	Connectivity	Headphones	Standard stereo phone jack (x 2)			
		AUX IN	Stereo mini jack			
		AUX OUT	Standard phone jack (L/L+R, R)			
		USB TO DEVICE	Type A			
		USB TO HOST	Type B			
		DC IN	24 V			16 V
	Amplifiers and Speakers	Amplifiers	(45 W + 30 W + 40 W) x 2	(45 W + 25 W + 40 W) x 2	(45 W + 45 W) x 2	30 W x 2
Speakers		(16 cm with diffuser + 8 cm with diffuser + 2.5 cm (dome) with Bidirectional Horn) x 2, Spruce Cone Speaker	(16 cm + 8 cm with diffuser + 2.5 cm (dome) with Bidirectional Horn) x 2	(16 cm with diffuser + 8 cm with diffuser) x 2	16 cm with diffuser x 2	
Power Supply	AC Adaptor		PA-500			PA-300C
		Output	DC 24 V, 2.5 A			DC 16 V, 2.4 A
		Polarity	+ — — —			+ — — —
	Power Consumption	55 W	55 W	30 W	18 W	
	Standby Power Consumption	0.3 W				


	CLP-885	CLP-875	CLP-845	CLP-835
Included Accessories	<ul style="list-style-type: none"> • Owner's Manual • "50 Classical Music Masterpieces" Music Book • Online Member Product Registration • Bench* • Power cord*, AC adaptor*: (CLP-885/CLP-875/CLP-845) PA-500, (CLP-835) PA-300C <p>*May not be included depending on your area. Check with your Yamaha dealer.</p>			
Separately Sold Accessories (May not be available depending on your area.)	<ul style="list-style-type: none"> • Headphones: HPH-150, HPH-100, HPH-50 • Pedal unit: FC35 • AC adaptor: (CLP-885/CLP-875/CLP-845) PA-500, (CLP-835) PA-300C • USB wireless LAN adaptor: UD-WL01 			

The contents of this manual apply to the latest specifications as of the publishing date. To obtain the latest manual, access the Yamaha website then download the manual file. Since specifications, equipment or separately sold accessories may not be the same in every locale, please check with your Yamaha dealer.

Specifications (CLP-895GP, CLP-865GP)

Refer to page 78 for specifications of the CLP-885, CLP-875, CLP-845 and CLP-835.

			CLP-895GP	CLP-865GP
Product Name			Digital Piano	
Size/Weight	Width		1,430 mm (56-5/16")	
	Height	With music rest closed	932 mm (36-11/16")	
		With music rest raised	1,094 mm (43-1/16")	
	Height with lid up		1,577 mm (62-1/16")	1,400 mm (55-1/8")
	Depth		1,237 mm (48-11/16")	1,146 mm (45-1/8")
	Weight		135 kg (297 lb, 10 oz)	106 kg (233 lb, 11 oz)
Control Interface	Keyboard	Number of Keys	88	
		Type	GrandTouch Keyboard: wooden keys (white only), synthetic ebony and ivory key tops, escapement	GrandTouch-S Keyboard: synthetic ebony and ivory key tops, escapement
		Touch Sensitivity	Hard2, Hard1, Medium, Soft1, Soft2, Fixed	
		88-key Linear Graded Hammers	Yes	–
		Counterweight	Yes	–
	Pedal	Number of Pedals	3: Damper (with Half-pedal function), Sostenuto, Soft	
		GrandTouch Pedals	Yes (with GP Response Damper)	Yes
		Assignable Functions	Sustain (Switch), Sustain Continuously, Sostenuto, Soft, Pitch Bend Up, Pitch Bend Down, Rotary Speed, Vibe Rotor, Song Play/Pause	
	Display	Type	Full Dots LCD	
		Language	English, Japanese	
	Panel	Type	Touch sensors	Buttons
		Language	English	
	Cabinet	Key Cover Style		Sliding
Music Rest		Yes (with music braces)		
Voices	Tone Generator	Piano Sound	Yamaha CFX, Bösendorfer Imperial	
		Binaural Sampling	Yes ("CFX Grand" and "Bösendorfer" only)	
		VRM (Virtual Resonance Modeling)	Yes	
		Grand Expression Modeling	Yes	
	Polyphony (max.)		256	
	Preset	Number of Voices	53 Voices + 480 XG Voices + 14 Drum/SFX Kits	38 Voices
	Compatibility		XG (GM), GS (for Song playback), GM2 (for Song playback)	–
Effects	Types	Reverb	7 types	
		Chorus	3 types	
		Brilliance	7 types + User	
		Insertion Effect	12 types	
		Intelligent Acoustic Control (IAC)	Yes	
		Stereophonic Optimizer	Yes	
	Functions	Dual	Yes	
		Split	Yes	
		Duo	Yes	
Songs	Preset	Number of Preset Songs	27 Voice Demo + 50 Classics + 303 Lesson Songs	23 Voice Demo + 50 Classics + 303 Lesson Songs
	MIDI Recording	Number of Songs	250	
		Number of Tracks	16	
		Data Capacity	Approx. 500 KB/Song (approx. 22,000 notes)	

			CLP-895GP	CLP-865GP	
Songs	Audio Recording (USB flash drive)	Recording Time (max.)	80 minutes/Song		
	Compatible Data Format	Playback	SMF (Format 0, Format 1), WAV (44.1 kHz, 16-bit, stereo)		
		Recording	SMF (Format 0), WAV (44.1 kHz, 16-bit, stereo)		
Functions	Piano Room		Yes		
	Rhythm	Number of Rhythms	20		
	Overall Controls	Metronome		Yes	
		Tempo Range		5 – 500	
		Transpose		–12 – 0 – +12	
		Tuning		414.8 – 440.0 – 466.8 Hz (approx. 0.2 Hz increments)	
		Scale Type		7 types	
		USB Audio Interface		44.1 kHz, 24-bit, stereo	
	Bluetooth (May not have this functionality depending on the country in which you purchased the product.)	Audio		Supported profile: A2DP, Compatible codec: SBC	
		MIDI		Comply with Bluetooth Low Energy MIDI Specification	
		Bluetooth version		5.0	
		Wireless output		Bluetooth Class 2	
		Maximum communication distance		Approx. 10 m	
		Radio Frequency		2,401 – 2,481 MHz	
		Maximum output power (EIRP)		4 dBm	
Type of modulation		GFSK			
Storage and Connectivity	Storage	Internal Memory	Approx. 1.4 MB		
		External Drives	USB flash drive		
	Connectivity	Headphones		Standard stereo phone jack (x 2)	
		AUX IN		Stereo mini jack	
		AUX OUT		Standard phone jack (L/L+R, R)	
		USB TO DEVICE		Type A	
		USB TO HOST		Type B	
		DC IN		24 V	
Amplifiers and Speakers	Amplifiers		(45 W + 45 W + 45 W) × 2	(45 W + 35 W) × 2	
	Speakers		(16 cm + 8 cm with Waveguide + 2.5 cm (dome) with Waveguide) × 2, Spruce Cone Speaker	(16 cm with diffuser + 5 cm) × 2	
Power Supply	AC Adaptor		PA-500		
		Output	DC 24 V, 2.5 A		
		Polarity	+  -		
	Power Consumption		60 W	55 W	
	Standby Power Consumption		0.3 W		
Included Accessories		<ul style="list-style-type: none"> • Owner's Manual • "50 Classical Music Masterpieces" Music Book • Online Member Product Registration • Bench* • Power cord*, AC adaptor*: PA-500 *May not be included depending on your area. Check with your Yamaha dealer.			
Separately Sold Accessories (May not be available depending on your area.)		<ul style="list-style-type: none"> • Headphones: HPH-150, HPH-100, HPH-50 • Pedal unit: FC35 • AC adaptor: PA-500 • USB wireless LAN adaptor: UD-WL01 			

The contents of this manual apply to the latest specifications as of the publishing date. To obtain the latest manual, access the Yamaha website then download the manual file. Since specifications, equipment or separately sold accessories may not be the same in every locale, please check with your Yamaha dealer.

Index

- A**
- A-B Repeat 34
 - App 46
 - Assembly 63
 - Audio Loopback 49
 - Audio Recording 37
 - Audio Song 30
 - Auto Power Off 17
 - [AUX IN] jack 45
- B**
- Bluetooth 7, 21, 43, 46
 - Body Resonance 24
 - Brightness 24
- C**
- Computer 48
 - Control panel 20
- D**
- Damper Noise 24
 - Damper Resonance 24
 - Data List 10
 - Delete 42
 - Demo 31, 55
 - Dual 27
 - Duo 28
 - Duplex Scale Resonance 24
- F**
- Factory Reset 22
 - Fast forward 32
 - Format (USB flash drive) 49
- G**
- Grand Expression Modeling 24
- H**
- Half pedal 25
 - Headphones 18
- I**
- Initialize (Factory Reset) 22
 - Input 43
- K**
- Key cover 14
- L**
- Lid 15, 24
- M**
- Master Tune 24
 - Menu 51
 - Message List 58
 - Metronome 25
 - Metronome/Rhythm menu 51
 - MIDI Recording 37
 - MIDI Song 30
 - Multi track recording 41
 - Music rest 15
- O**
- Output 50
 - Overdubbing 41
- P**
- Pairing 44
 - Part (playback) 35
 - Part (recording) 40, 41
 - Pedal 19
 - Piano Room 23
 - Pitch 24
 - Playback (Rhythm) 29
 - Playback (Song) 30
 - Power 16, 17
- R**
- Recording 37
 - Recording menu 51
 - Reference Manual 10
 - Repeat playback 33
 - Reset 22
 - Reverb 24
 - Rewind 32
 - Rhythm 29
 - Rhythm List 56
- S**
- Smart device 46
 - Smart Pianist 46
 - Smart Pianist User Guide 10
 - Song 30
 - Song List 57
 - Song menu 51
 - Speed 33
 - Split 27
 - Split Point 28
 - String Resonance 24
 - System menu 51
- T**
- Tempo 25, 29, 33
 - Touch 24
 - Track (playback) 35
 - Track (recording) 40, 41
 - Transpose 36
 - Troubleshooting 61
 - Tuning 24
- U**
- USB Audio Interface 48
 - USB flash drive 49
 - USB [TO DEVICE] terminal 47
 - USB [TO HOST] terminal 45, 47
- V**
- Voice 26
 - Voice Demo 31, 55
 - Voice List 52
 - Voice menu 51
 - Volume 18
 - VRM (Virtual Resonance Modeling) 24
- W**
- Wi-Fi 47
 - Wireless LAN 47
- X**
- XG Voices (CLP-885/CLP-895GP only) 26

MEMO

For U.S.A.

This transmitter must not be co-located or operated in conjunction with any other antenna or transmitter.

(554-M01 FCC transmitter 01)

This equipment complies with FCC radiation exposure limits set forth for an uncontrolled environment and meets the FCC radio frequency (RF) Exposure Guidelines. This equipment has very low levels of RF energy that is deemed to comply without testing of specific absorption rate (SAR).

(554-M04 FCC portable 01)



Important Notice:

U.S. LIMITED WARRANTY for Customers in the United States

For detailed information about this Yamaha product and warranty service, please either visit the following website address (printable file is available at our website) or contact Customer Service at the address or telephone number identified below.

Website Address:

Yamaha.io/ClavinovaWarranty

Customer Service:

Yamaha Corporation of America
6600 Orangethorpe Avenue, Buena Park, CA 90620
Telephone: 800-854-1569

For Canada

This equipment complies with ISED radiation exposure limits set forth for an uncontrolled environment and meets RSS-102 of the ISED radio frequency (RF) Exposure rules as this equipment has very low levels of RF energy.

Cet équipement est conforme aux limites d'exposition aux rayonnements énoncées pour un environnement non contrôlé et respecte les règles d'exposition aux fréquences radioélectriques (RF) CNR-102 de l'ISDE puisque cet appareil a un niveau très bas d'énergie RF.

(0555-M05_ised_portable_01)

This device contains licence-exempt transmitter(s)/receiver(s) that comply with Innovation, Science and Economic Development Canada's licence-exempt RSS(s). Operation is subject to the following two conditions:

1. This device may not cause interference.
2. This device must accept any interference, including interference that may cause undesired operation of the device.

L'émetteur/récepteur exempt de licence contenu dans le présent appareil est conforme aux CNR d'Innovation, Sciences et Développement économique Canada applicables aux appareils radio exempts de licence. L'exploitation est autorisée aux deux conditions suivantes :

1. L'appareil ne doit pas produire de brouillage ;
2. L'appareil doit accepter tout brouillage radioélectrique subi, même si le brouillage est susceptible d'en compromettre le fonctionnement.

(555-M13 ISED RSS 01)

For United Kingdom

SIMPLIFIED UK DECLARATION OF CONFORMITY

Hereby, Yamaha Corporation declares that the [CLP-885, CLP-875, CLP-845, CLP-835, CLP-895GP, CLP-865GP] is in compliance with the Product Security and Telecommunications Infrastructure Regulations. The full text of the UK declaration of conformity is available at the following internet address:
<https://europe.yamaha.com/en/support/compliance/doc.html>

For European Union and United Kingdom

EN	SIMPLIFIED EU DECLARATION OF CONFORMITY / SIMPLIFIED UK DECLARATION OF CONFORMITY Hereby, Yamaha Corporation declares that the radio equipment type [CLP-885, CLP-875, CLP-845, CLP-835, CLP-895GP, CLP-865GP] is in compliance with Directive 2014/53/EU and the radio equipment regulations of UK. The full texts of the EU declaration of conformity and the UK declaration of conformity are available at the following internet address: https://europe.yamaha.com/en/support/compliance/doc.html
FR	DECLARATION UE DE CONFORMITE SIMPLIFIEE Le soussigné, Yamaha Corporation, déclare que l'équipement radioélectrique du type [CLP-885, CLP-875, CLP-845, CLP-835, CLP-895GP, CLP-865GP] est conforme à la directive 2014/53/UE. Le texte complet de la déclaration UE de conformité est disponible à l'adresse internet suivante : https://europe.yamaha.com/en/support/compliance/doc.html
DE	VEREINFACHTE EU-KONFORMITÄTSERKLÄRUNG Hiermit erklärt Yamaha Corporation, dass der Funkanlagentyp [CLP-885, CLP-875, CLP-845, CLP-835, CLP-895GP, CLP-865GP] der Richtlinie 2014/53/EU entspricht. Der vollständige Text der EU-Konformitätserklärung ist unter der folgenden Internetadresse verfügbar: https://europe.yamaha.com/en/support/compliance/doc.html
SV	FÖRENKLAD EU-FÖRSÄKRAN OM ÖVERENSSTÄMMELSE Härmed försäkras Yamaha Corporation att denna typ av radioutrustning [CLP-885, CLP-875, CLP-845, CLP-835, CLP-895GP, CLP-865GP] överensstämmer med direktiv 2014/53/EU. Den fullständiga texten till EU-försäkran om överensstämmelse finns på följande webbadress: https://europe.yamaha.com/en/support/compliance/doc.html
IT	DICHIARAZIONE DI CONFORMITÀ UE SEMPLIFICATA Il fabbricante, Yamaha Corporation, dichiara che il tipo di apparecchiatura radio [CLP-885, CLP-875, CLP-845, CLP-835, CLP-895GP, CLP-865GP] è conforme alla direttiva 2014/53/UE. Il testo completo della dichiarazione di conformità UE è disponibile al seguente indirizzo Internet: https://europe.yamaha.com/en/support/compliance/doc.html
ES	DECLARACIÓN UE DE CONFORMIDAD SIMPLIFICADA Por la presente, Yamaha Corporation declara que el tipo de equipo radioeléctrico [CLP-885, CLP-875, CLP-845, CLP-835, CLP-895GP, CLP-865GP] es conforme con la Directiva 2014/53/UE. El texto completo de la declaración UE de conformidad está disponible en la dirección Internet siguiente: https://europe.yamaha.com/en/support/compliance/doc.html
PT	DECLARAÇÃO UE DE CONFORMIDADE SIMPLIFICADA O(a) abaixo assinado(a) Yamaha Corporation declara que o presente tipo de equipamento de rádio [CLP-885, CLP-875, CLP-845, CLP-835, CLP-895GP, CLP-865GP] está em conformidade com a Diretiva 2014/53/UE. O texto integral da declaração de conformidade está disponível no seguinte endereço de Internet: https://europe.yamaha.com/en/support/compliance/doc.html
NL	VEREENVOUDIGDE EU-CONFORMITEITSVERKLARING Hierbij verklaar ik, Yamaha Corporation, dat het type radioapparatuur [CLP-885, CLP-875, CLP-845, CLP-835, CLP-895GP, CLP-865GP] conform is met Richtlijn 2014/53/EU. De volledige tekst van de EU-conformiteitsverklaring kan worden geraadpleegd op het volgende internetadres: https://europe.yamaha.com/en/support/compliance/doc.html
BG	ОПРОСТЕНА ЕС ДЕКЛАРАЦИЯ ЗА СЪОТВЕТСТВИЕ С настоящото Yamaha Corporation декларира, че този тип радиосъоръжение [CLP-885, CLP-875, CLP-845, CLP-835, CLP-895GP, CLP-865GP] е в съответствие с Директива 2014/53/ЕС. Цялостният текст на ЕС декларацията за съответствие може да се намери на следния интернет адрес: https://europe.yamaha.com/en/support/compliance/doc.html
CS	ZJEDNODUŠENÉ EU PROHLÁŠENÍ O SHODĚ Tímto Yamaha Corporation prohlašuje, že typ rádiového zařízení [CLP-885, CLP-875, CLP-845, CLP-835, CLP-895GP, CLP-865GP] je v souladu se směrnicí 2014/53/EU. Úplné znění EU prohlášení o shodě je k dispozici na této internetové adrese: https://europe.yamaha.com/en/support/compliance/doc.html
DA	FORENKLET EU-OVERENSSTEMMELSESESKLÆRING Hermed erklærer Yamaha Corporation, at radioudstyrstypen [CLP-885, CLP-875, CLP-845, CLP-835, CLP-895GP, CLP-865GP] er i overensstemmelse med direktiv 2014/53/UE. EU-overensstemmelsestextens fulde tekst kan findes på følgende internetadresse: https://europe.yamaha.com/en/support/compliance/doc.html

ET	LIHTSUSTATUD ELI VASTAVUSDEKLARATSIOON Käesolevaga deklareerib Yamaha Corporation, et käesolev raadioseadme tüüp [CLP-885, CLP-875, CLP-845, CLP-835, CLP-895GP, CLP-865GP] vastab direktiivi 2014/53/EL nõuetele. Eli vastavusdeklaratsiooni täielik tekst on kättesaadav järgmisel internetiaadressil: https://europe.yamaha.com/en/support/compliance/doc.html
EL	ΑΠΛΟΥΣΤΕΥΜΕΝΗ ΔΗΛΩΣΗ ΣΥΜΜΟΡΦΩΣΗΣ ΕΕ Με την παρούσα ο/η Yamaha Corporation, δηλώνει ότι ο ραδιοεξοπλισμός [CLP-885, CLP-875, CLP-845, CLP-835, CLP-895GP, CLP-865GP] πληροί την οδηγία 2014/53/ΕΕ. Το πλήρες κείμενο της δήλωσης συμμόρφωσης ΕΕ διατίθεται στην ακόλουθη ιστοσελίδα στο διαδίκτυο: https://europe.yamaha.com/en/support/compliance/doc.html
HR	POJEDNOSTAVLJENA EU IZJAVA O SUKLADNOSTI Yamaha Corporation ovime izjavljujue da je radijska oprema tipa [CLP-885, CLP-875, CLP-845, CLP-835, CLP-895GP, CLP-865GP] u skladu s Direktivom 2014/53/EU. Cjeloviti tekst EU izjave o sukladnosti dostupan je na sljedećoj internetskoj adresi: https://europe.yamaha.com/en/support/compliance/doc.html
LV	VIENKĀRŠOTA ES ATBILSTĪBAS DEKLARĀCIJA Ar šo Yamaha Corporation deklarē, ka radioiekārtā [CLP-885, CLP-875, CLP-845, CLP-835, CLP-895GP, CLP-865GP] atbilst Direktīvai 2014/53/ES. Pilns ES atbilstības deklarācijas teksts ir pieejams šādā interneta vietnē: https://europe.yamaha.com/en/support/compliance/doc.html
LT	SUPAPRASTINTA ES ATITIKTIES DEKLARACIJA Aš, Yamaha Corporation, patvirtinu, kad radijo įrenginių tipas [CLP-885, CLP-875, CLP-845, CLP-835, CLP-895GP, CLP-865GP] atitinka Direktyvą 2014/53/ES. Visas ES atitikties deklaracijos tekstas prienamamas šiuo interneto adresu: https://europe.yamaha.com/en/support/compliance/doc.html
HU	EGYSZERŰSÍTETT EU-MEGFELELŐSÉGI NYILATKOZAT Yamaha Corporation igazolja, hogy a [CLP-885, CLP-875, CLP-845, CLP-835, CLP-895GP, CLP-865GP] típusú rádióberendezés megfelel a 2014/53/ES irányelvnek. Az EU-megfelelőségi nyilatkozat teljes szövege elérhető a következő internetes címen: https://europe.yamaha.com/en/support/compliance/doc.html
PL	UPROSZCZONA DEKLARACJA ZGODNOŚCI UE Yamaha Corporation niniejszym oświadcza, że typ urządzenia radiowego [CLP-885, CLP-875, CLP-845, CLP-835, CLP-895GP, CLP-865GP] jest zgodny z dyrektywą 2014/53/UE. Pełny tekst deklaracji zgodności UE jest dostępny pod następującym adresem internetowym: https://europe.yamaha.com/en/support/compliance/doc.html
RO	DECLARAȚIA UE DE CONFORMITATE SIMPLIFICATĂ Prin prezenta, Yamaha Corporation declară că tipul de echipament radio [CLP-885, CLP-875, CLP-845, CLP-835, CLP-895GP, CLP-865GP] este în conformitate cu Directiva 2014/53/UE. Textul integral al declarației UE de conformitate este disponibil în următoarea adresă internet: https://europe.yamaha.com/en/support/compliance/doc.html
SK	ZJEDNODUŠENÉ EÚ VYHLÁSENIE O ZHODE Yamaha Corporation týmto vyhlasuje, že rádiové zariadenie typu [CLP-885, CLP-875, CLP-845, CLP-835, CLP-895GP, CLP-865GP] je v súlade so smernicou 2014/53/EÚ. Úplné EÚ vyhlásenie o zhode je k dispozícii na tejto internetovej adrese: https://europe.yamaha.com/en/support/compliance/doc.html
SL	POENOSTAVLJENA IZJAVA EU O SKLADNOSTI Yamaha Corporation potrjuje, da je tip radijske opreme [CLP-885, CLP-875, CLP-845, CLP-835, CLP-895GP, CLP-865GP] skladen z Direktivo 2014/53/EU. Celotno besedilo izjave EU o skladnosti je na voljo na naslednjem spletnem naslovu: https://europe.yamaha.com/en/support/compliance/doc.html
FI	YKSINKERTAISTETTU EU-VAATIMUSTENMUKAISUUSVAKUUTUS Yamaha Corporation vakuuttaa, että radiolaitetyyppi [CLP-885, CLP-875, CLP-845, CLP-835, CLP-895GP, CLP-865GP] on direktiivin 2014/53/EU mukainen. EU-vaatimustenmukaisuusvakuutuksen täysimittainen teksti on saatavilla seuraavassa internetosoitteessa: https://europe.yamaha.com/en/support/compliance/doc.html
TR	BASİTLEŞTİRİLMİŞ AVRUPA BİRLİĞİ UYGUNLUK BİLDİRİMİ İşbu belge ile, Yamaha Corporation, radyo cihaz tipinin [CLP-885, CLP-875, CLP-845, CLP-835, CLP-895GP, CLP-865GP], Direktif 2014/53/AB'ye uygunluğunu beyan eder. AB uyumu beyanının tam metni aşağıdaki internet adresinden edinilebilir: https://europe.yamaha.com/en/support/compliance/doc.html

(559-M01 RED DoC URL 03)

Important Notice: Guarantee Information for customers in European Economic Area (EEA) and Switzerland

Important Notice: Guarantee Information for customers in EEA* and Switzerland For detailed guarantee information about this Yamaha product, and Pan-EEA* and Switzerland warranty service, please either visit the website address below (Printable file is available at our website) or contact the Yamaha representative office for your country. * EEA: European Economic Area	English
Wichtiger Hinweis: Garantie-Information für Kunden in der EWR* und der Schweiz Für nähere Garantie-Information über dieses Produkt von Yamaha, sowie über den Pan-EWR*- und Schweizer Garantieservice, besuchen Sie bitte entweder die folgend angegebene Internetadresse (eine druckfähige Version befindet sich auch auf unserer Webseite), oder wenden Sie sich an den für Ihr Land zuständigen Yamaha-Vertrieb. *EWR: Europäischer Wirtschaftsraum	Deutsch
Remarque importante: informations de garantie pour les clients de l'EEE et la Suisse Pour des informations plus détaillées sur la garantie de ce produit Yamaha et sur le service de garantie applicable dans l'ensemble de l'EEE ainsi qu'en Suisse, consultez notre site Web à l'adresse ci-dessous (le fichier imprimable est disponible sur notre site Web) ou contactez directement Yamaha dans votre pays de résidence. * EEE : Espace Economique Européen	Français
Belangrijke mededeling: Garantie-informatie voor klanten in de EER* en Zwitserland Voor gedetailleerde garantie-informatie over dit Yamaha-product en de garantieservice in heel de EER* en Zwitserland, gaat u naar de onderstaande website (u vindt een afdrukbaar bestand op onze website) of neemt u contact op met de vertegenwoordiging van Yamaha in uw land. * EER: Europese Economische Ruimte	Nederlands
Aviso importante: información sobre la garantía para los clientes del EEE* y Suiza Para una información detallada sobre este producto Yamaha y sobre el soporte de garantía en la zona EEE* y Suiza, visite la dirección web que se incluye más abajo (la versión del archivo para imprimir esta disponible en nuestro sitio web) o póngase en contacto con el representante de Yamaha en su país. * EEE: Espacio Económico Europeo	Español
Avviso importante: informazioni sulla garanzia per i clienti residenti nell'EEA* e in Svizzera Per informazioni dettagliate sulla garanzia relativa a questo prodotto Yamaha e l'assistenza in garanzia nei paesi EEA* e in Svizzera, potete consultare il sito Web all'indirizzo riportato di seguito (è disponibile il file in formato stampabile) oppure contattare l'ufficio di rappresentanza locale della Yamaha. * EEA: Area Economica Europea	Italiano
Aviso importante: informações sobre as garantias para clientes da AEE* e da Suíça Para obter uma informação pormenorizada sobre este produto da Yamaha e sobre o serviço de garantia na AEE* e na Suíça, visite o site a seguir (o arquivo para impressão está disponível no nosso site) ou entre em contato com o escritório de representação da Yamaha no seu país. * AEE: Área Económica Europeia	Português
Σημαντική σημείωση: Πληροφορίες εγγύησης για τους πελάτες στον ΕΟΧ* και Ελλάδα Για λεπτομερείς πληροφορίες εγγύησης σχετικά με το παρόν προϊόν της Yamaha και την κάλυψη εγγύησης σε όλες τις χώρες του ΕΟΧ και την Ελλάδα, επισκεφτείτε την παρακάτω ιστοσελίδα (Εκτυπώσιμη μορφή είναι διαθέσιμη στην ιστοσελίδα μας) ή απευθυνθείτε στην αντιπροσωπεία της Yamaha στη χώρα σας. * ΕΟΧ: Ευρωπαϊκός Οικονομικός Χώρος	Ελληνικά
Viktigt: Garantieinformation för kunder i EES-området* och Schweiz För detaljerad information om denna Yamahaprodukt samt garantiservice i hela EES-området* och Schweiz kan du antingen besöka nedanstående webbadress (en utskriftsvänlig fil finns på webbplatsen) eller kontakta Yamahas officiella representant i ditt land. * EES: Europeiska Ekonomiska Samarbetsområdet	Svenska
Viktig merknad: Garantiinformasjon for kunder i EØS* og Sveits Detaljert garantiinformasjon om dette Yamaha-produktet og garantiservice for hele EØS-området* og Sveits kan fås enten ved å besøke nettstedene nedenfor (utskriftsversjon finnes på våre nettsider) eller kontakte Yamahas kontoret i landet der du bor. *EØS: Det europeiske økonomiske samarbeidsområdet	Norsk
Vigtig oplysning: Garantioplysninger til kunder i EØO* og Schweiz De kan finde detaljerede garantioplysninger om dette Yamaha-produkt og den fælles garantiserviceordning for EØO* (og Schweiz) ved at besøge det websted, der er angivet nedenfor (der findes en fil, som kan udskrives, på vores websted), eller ved at kontakte Yamahas nationale repræsentationskontor i det land, hvor De bor. * EØO: Det Europæiske Økonomiske Område	Dansk
Tärkeä ilmoitus: Takuutiedot Euroopan talousalueen (ETA)* ja Sveitsin asiakkaille Tämän Yamaha-tuotteen sekä ETA-alueen ja Sveitsin takuuta koskevat yksityiskohtaiset tiedot saatte alla olevasta nettiosoitteesta. (Tulostettava tiedosto saatavissa sivustollamme.) Voitte myös ottaa yhteyttä paikalliseen Yamaha-edustajaan. *ETA: Euroopan talousalue	Suomi
Ważne: Warunki gwarancyjne obowiązujące w EOG* i Szwajcarii Aby dowiedzieć się więcej na temat warunków gwarancyjnych tego produktu firmy Yamaha i serwisu gwarancyjnego w całym EOG* i Szwajcarii, należy odwiedzić wskazaną poniżej stronę internetową (Plik gotowy do wydruku znajduje się na naszej stronie internetowej) lub skontaktować się z przedstawicielstwem firmy Yamaha w swoim kraju. * EOG — Europejski Obszar Gospodarczy	Polski
Dôležité oznámení: Záruční informácie pre zákazníky v EHS* a v Švajčarsku Podrobné záruční informácie o tomto produkte Yamaha a záruční servisu v celom EHS* a v Švajčarsku náleznete na nižšie uvedenej webovej adrese (soubor k tisku je dostupný na našich webových stránkach) alebo sa môžete obrátiť na zastupení firmy Yamaha ve své zemi. * EHS: Evropský hospodářský prostor	Česky
Fontos figyelemztetés: Garancia-információk az EGT* területén és Svájcban élő vásárlók számára A jelen Yamaha termékre vonatkozó részletes garancia-információk, valamint az EGT*-re és Svájcra kiterjedő garanciális szolgáltatás tekintetében keresse fel webhelyünket az alábbi címen (a webhelyen nyomtatható fájl is található), vagy pedig lépjen kapcsolatba az országában működő Yamaha képviseleti irodával. * EGT: Európai Gazdasági Térség	Magyar
Oluline märkus: Garantiteave Euroopa Majanduspiirkonna (EMP)* ja Šveitsi klientidele Täpsemat teabe saamiseks selle Yamaha toote garantii ning kogu Euroopa Majanduspiirkonna ja Šveitsi garantiteeninduse kohta, külastage palun veebisaiti alljärgneval aadressil (meie saidil on saadaval printidaval fail) või pöörduge Teie regiooni Yamaha esinduse poole. * EMP: Euroopa Majanduspiirkond	Eesti keel
Svarīgs paziņojums: garantijas informācija klientiem EEZ* un Šveicē Lai saņemtu detalizētu garantijas informāciju par šo Yamaha produktu, kā arī garantijas apkalpošanu EEZ* un Šveicē, lūdzu, apmeklējiet zemāk norādīto tīmekļa vietnes adresi (tīmekļa vietnē ir pieejams drukājams fails) vai sazinieties ar jūsu valsti apkalpojošo Yamaha pārstāvniecību. * EEZ: Eiropas Ekonomikas zona	Latviešu
Dėmesio: informacija dėl garantijos pirkėjams EEE* ir Šveicarijoje Jei reikia išsamios informacijos apie šį „Yamaha“ produktą ir jo techninę priežiūrą visoje EEE* ir Šveicarijoje, apsilankykite mūsų svetainėje toliau nurodytu adresu (svetainėje yra spausdinamas failas) arba kreipkitės į „Yamaha“ atstovybę savo šalyje. *EEE – Europos ekonominė erdvė	Lietuvių kalba
Dôležité upozornenie: Informácie o záruke pre zákazníkov v EHP* a Švajčiarsku Podrobné informácie o záruke týkajúce sa tohto produktu od spoločnosti Yamaha a garančnom servise v EHP* a Švajčiarsku nájdete na webovej stránke uvedenej nižšie (na našej webovej stránke je k dispozícii súbor na tlač) alebo sa obráťte na zástupcu spoločnosti Yamaha vo svojej krajine. * EHP: Európsky hospodársky priestor	Slovenčina
Pomembno obvestilo: Informacije o garanciji za kupce v EGP* in Švici Za podrobnejše informacije o tem Yamahinim izdelku ter garancijskem servisu v celotnem EGP in Švici, obiščite spletno mesto, ki je navedeno spodaj (natisljiva datoteka je na voljo na našem spletnem mestu), ali se obrnite na Yamahinega predstavnika v svoji državi. * EGP: Evropski gospodarski prostor	Slovenščina
Важно съобщение: Информация за гаранцията за клиенти в ЕИП* и Швейцария За подробна информация за гаранцията за този продукт на Yamaha и гаранционното обслужване в паневропейската зона на ЕИП* и Швейцария или посетете посочения по-долу уеб сайт (на нашия уеб сайт има файл за печат), или се свържете с представителния офис на Yamaha във вашата страна. * ЕИП: Европейско икономическо пространство	Български език
Notificarea importantă: Informații despre garanție pentru clienții din SEE* și Elveția Pentru informații detaliate privind acest produs Yamaha și serviciul de garanție Pan-SEE* și Elveția, vizitați site-ul la adresa de mai jos (fișierul imprimabil este disponibil pe site-ul nostru) sau contactați biroul reprezentanței Yamaha din țara dumneavoastră. * SEE: Spațiul Economic European	Limba română
Važna obavijest: Informacije o jamstvu za države EGP-a i Švicarske Za detaljne informacije o jamstvu za ovaj Yamahin proizvod te jamstvenom servisu za cijeli EGP i Švicarsku, molimo Vas da posjetite web-stranicu navedenu u nastavku ili kontaktirate ovlaštenog Yamahinog dobavljača u svojoj zemlji. * EGP: Europski gospodarski prostor	Hrvatski

<https://europe.yamaha.com/warranty/>

URL_5

Yamaha Worldwide Representative Offices

English

For details on the product(s), contact your nearest Yamaha representative or the authorized distributor, found by accessing the 2D barcode below.

Deutsch

Wenden Sie sich für nähere Informationen zu Produkten an eine Yamaha-Vertretung oder einen autorisierten Händler in Ihrer Nähe. Diese finden Sie mithilfe des unten abgebildeten 2D-Strichodes.

Français

Pour obtenir des informations sur le ou les produits, contactez votre représentant ou revendeur agréé Yamaha le plus proche. Vous le trouverez à l'aide du code-barres 2D ci-dessous.

Español

Para ver información detallada sobre el producto, contacte con su representante o distribuidor autorizado Yamaha más cercano. Lo encontrará escaneando el siguiente código de barras 2D.

Português

Para mais informações sobre o(s) produto(s), fale com seu representante da Yamaha mais próximo ou com o distribuidor autorizado acessando o código de barras 2D abaixo.

Русский

Чтобы узнать подробнее о продукте (продуктах), свяжитесь с ближайшим представителем или авторизованным дистрибьютором Yamaha, воспользовавшись двухмерным штрихкодом ниже.

Bahasa Indonesia

Untuk detail produk, hubungi perwakilan Yamaha terdekat atau distributor resmi Anda dengan mengakses barcode 2D di bawah ini.

简体中文

如需有关产品的详细信息, 请联系距您最近的 Yamaha 代表或授权经销商, 可通过访问下方的二维码找到这些代表或经销商的信息。

繁體中文

如需產品的詳細資訊, 請聯絡與您距離最近的 Yamaha 銷售代表或授權經銷商, 您可以掃描下方的二維條碼查看相關聯絡資料。

한국어

제품에 대한 자세한 정보는 아래 2D 바코드에 액세스하여 가까운 Yamaha 담당 판매점 또는 공식 대리점에 문의하십시오.



https://manual.yamaha.com/mi/address_list/

Yamaha Global Site
<https://www.yamaha.com/>
Yamaha Downloads
<https://download.yamaha.com/>

© 2024 Yamaha Corporation
Published 01/2025
MWMA-B0



VGJ7220