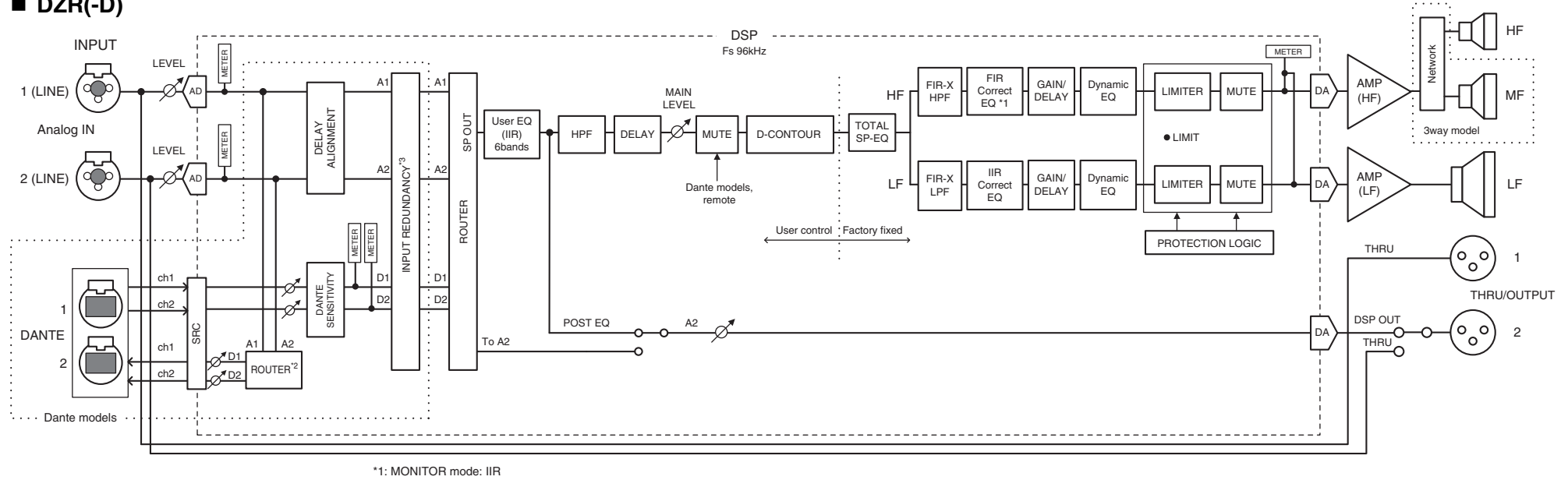
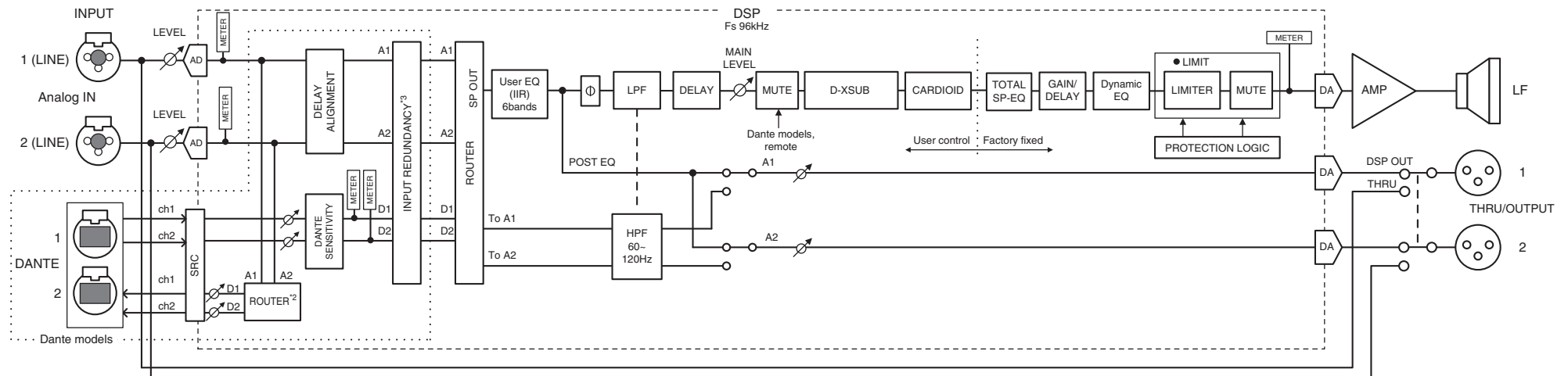


Block Diagram

■ DZR(-D)



■ DXS-XLF(-D)



*2 Dante output settings are supported by firmware V1.2.2 or later and Dante module firmware 4.1.6.7-4.1.6.5-1.1.0 or later.

*3 The Input Redundancy function is supported by firmware V1.4.0 or later, and Dante module firmware 4.1.6.7-4.1.6.5-1.1.0 or later.