



HI-HAT STAND

OWNER'S MANUAL

Introduction

Thank you for purchasing this Yamaha Hi-Hat Stand.

In order to obtain maximum performance and longevity from hi-hat stand, please read this Owner's Manual thoroughly.

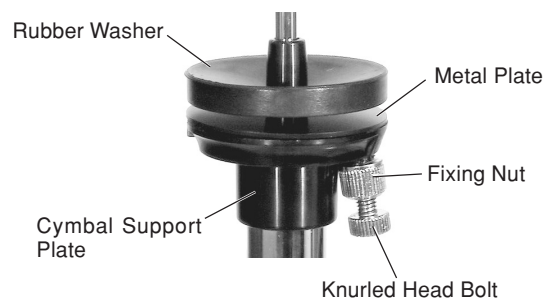
CAUTION

- To prevent the Hi-Hat Stand from coming loose during performance, tighten all securing bolts and adjustment bolts firmly.
- To maintain smooth action, apply some grease-grade oil (ex. lithium grease) to all of the moving parts as needed.

* Specifications and design are subject to change without notice.

① Cymbal Support Plate

To attach the bottom hi-hat cymbal first, remove the hi-hat clutch and set the bottom hi-hat cymbal on the rubber washer. At this time, make sure that the metal plate and the rubber washer are on the cymbal support plate. Rotate the knurled head bolt, located under the plate, to adjust the angle of the cymbal then secure with the fixing nut.

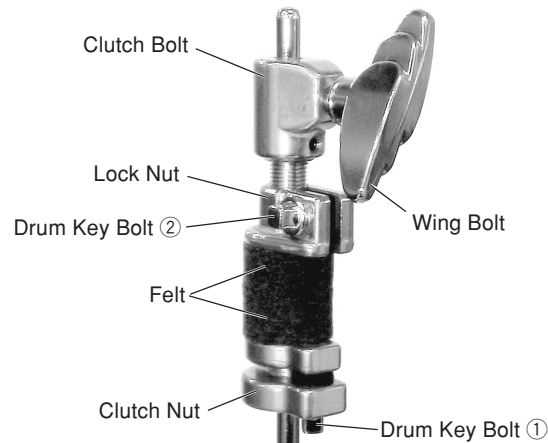


② Hi-Hat Clutch (LC-930)

The top hi-hat cymbal is fixed and held in place between the two felts of the hi-hat clutch.

(Procedure)

- 1) Loosen the drum key bolt ① on the clutch nut and remove the clutch nut from the clutch bolt.
- 2) Remove the lower felt and place the cymbal between the upper felt and the lower removed felt.
- 3) Firmly tighten the clutch nut onto the clutch bolt. Next, tighten the drum key bolt ① to lock the clutch nut. Since the drum key bolt ① can be locked with a minimum of force, be sure not to over tighten which may cause damage to the bolt.
- 4) The lock nut adjusts the amount of pressure used to hold the cymbal in place. Loosen the drum key bolt ② and raise or lower the lock nut to adjust the position. After the position has been determined, tighten the drum key bolt ② to lock the lock nut in place. The drum key bolt ② can be locked with a minimum of force so be sure not to over tighten which may cause damage to the bolt.

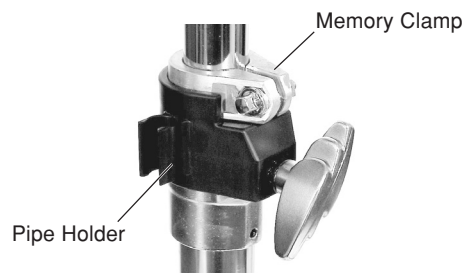


③ Memory Clamp

After you have determined the height of the hi-hat cymbal, secure the memory clamp at the base assembly's pipe holder to set a "memory" of the pipe's position for future settings. At this time, make sure the memory clamp fits into the pipe holder.

Use a drum key to firmly tighten the memory clamp so as to prevent the pipe from slipping during performance.

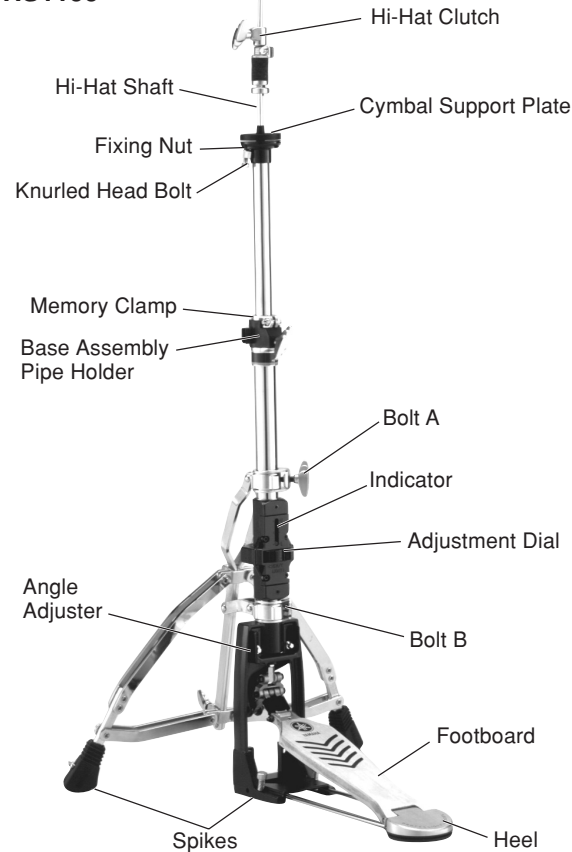
Also, the pipe holder is equipped with a drum key holder. (The drum key is optional.)



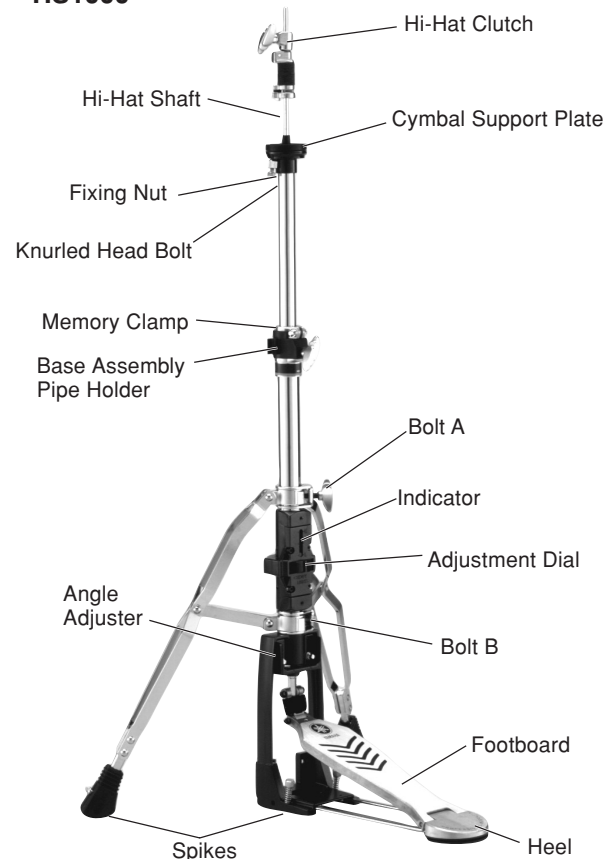
④ Spring Tension Adjustment

The large adjustment dial adjusts spring tension. Turning the dial to the left increases tension while turning to the right decreases tension. Also, this system is equipped with a tension indicator that conveniently displays the amount of tension.

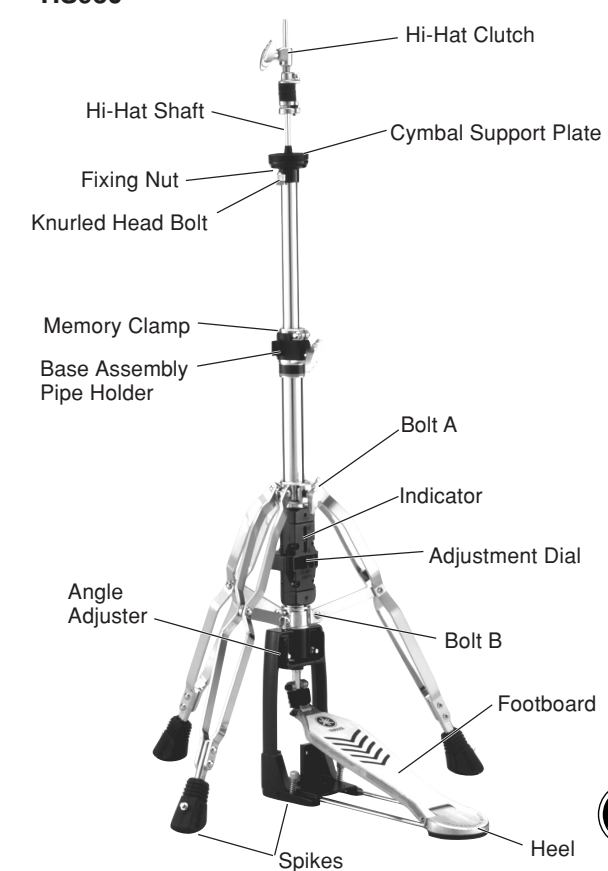
• HS1100



• HS1000



• HS950



⑤ Connecting Rod

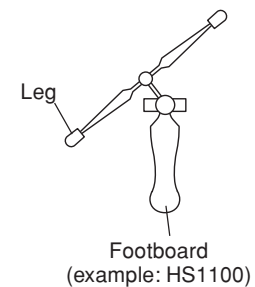
Connecting the rod to the frame secures the footboard to the frame.

⑥ Spikes

The spikes prevent the hi-hat stand from sliding forward. The unit is equipped with four spikes, one in each of the front leg's rubber feet and two on the frame. Spikes located in the legs rubber feet can be extended by loosening the drum key bolt. Those in the frame can be extended to the preferred length by rotating the bolts clockwise.

⑦ Adjusting Leg Position

The position of the legs (footboard) can be adjusted by loosening bolts A and B, shown in the diagram on the right. After the position has been determined, firmly tighten bolts A and B.

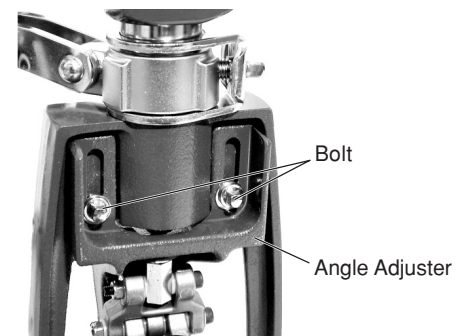


⑧ Adjust the Footboard Angle

The angle adjuster can be used to increase or decrease the amount of footboard angle by raising or lowering the adjuster.

With a drum key, loosen the two bolts on either side of the angle adjuster then slide the angle adjuster higher or lower as needed.

After the angle has been determined, firmly tighten two bolts with a drum key.



⑨ Heel

A removable rubber base is attached to the underside of the heel. Remarry the rubber, reveals a strip of Velcro™ that, provides better grip when the stand is used on carpeted surfaces, etc. If the Velcro does not provide sufficient grip, use the rubber.

⑩ The Supplied Soft Case and Sheet

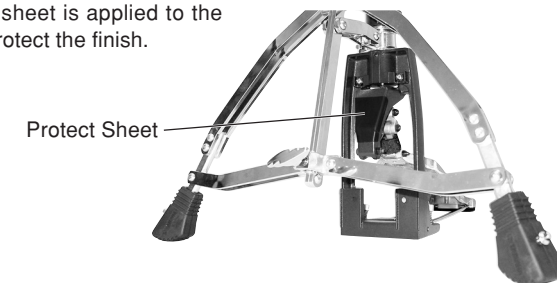
To protect the hi-hat stand's finish from scratches, etc., we recommend that it be placed in the supplied soft case when transporting.

Also, please wrap the upper pipe in the supplied sheet.



⑪ A protective sheet

A protective sheet is applied to the HS1100 to protect the finish.



Note) Moving parts require occasional lubrication for smooth operation. Also, over tightening of the nylon clutch inside the base assembly's pipe holder may result in damage. Please use caution.